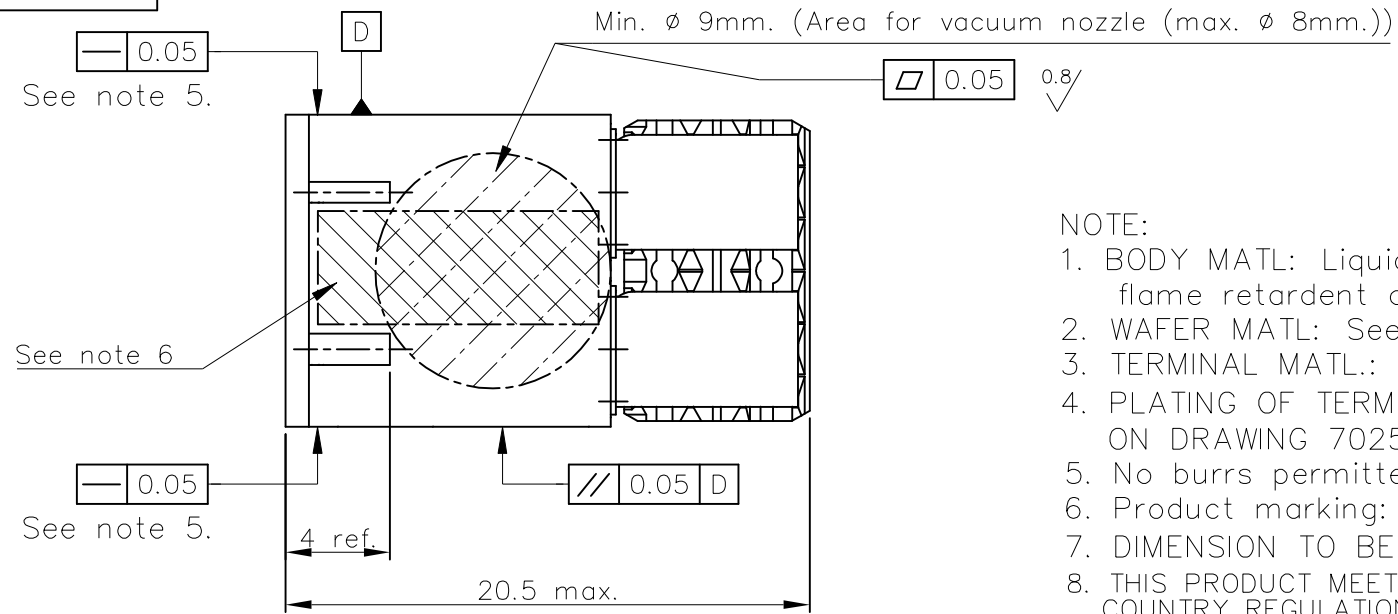
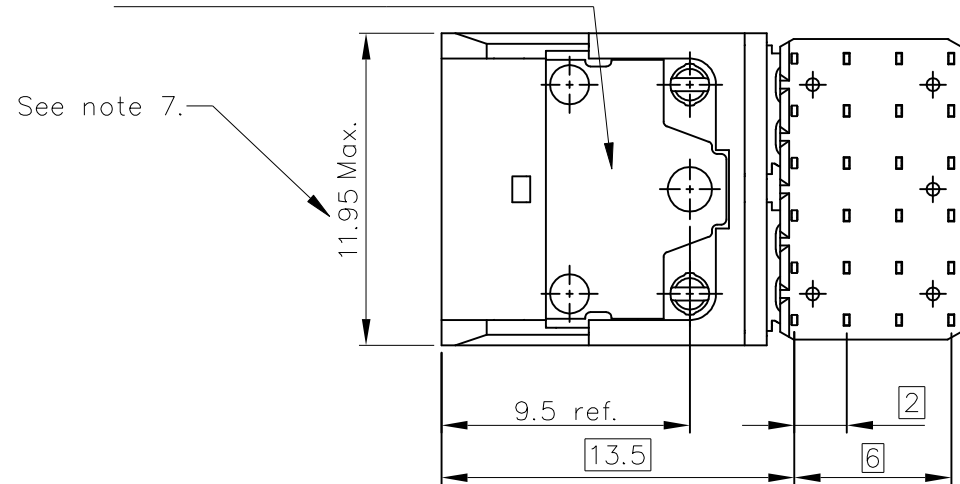
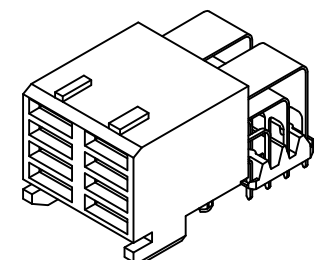
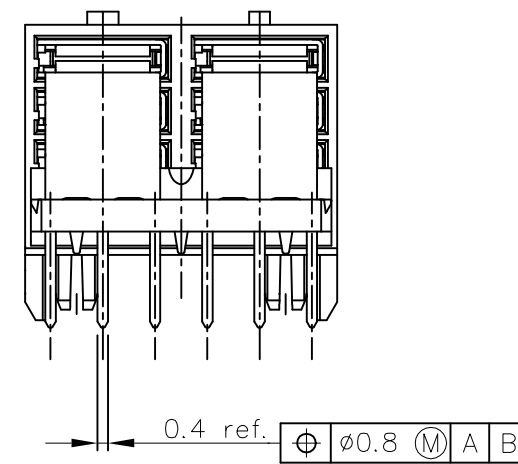
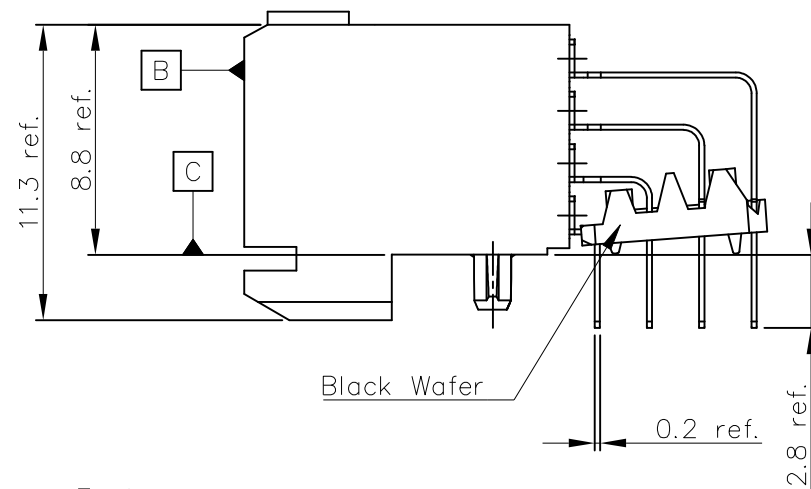
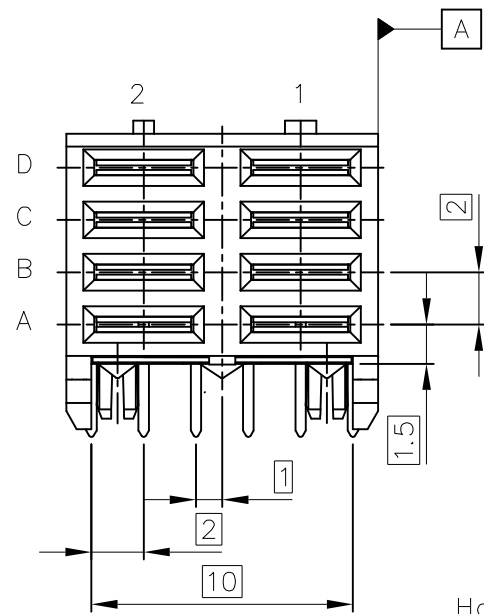


PRODUCT NUMBER	PLATING CONTACT AREA	UNDERPLATING
72651-301/301LF	1.3µm Au Min.	1.3µm Ni Min.
72651-701/701LF	2.0µm Au Min.	2.0µm Ni Min.
72651-101/101LF	0.76µm Au OR GXT Min.	1.3µm Ni Min.



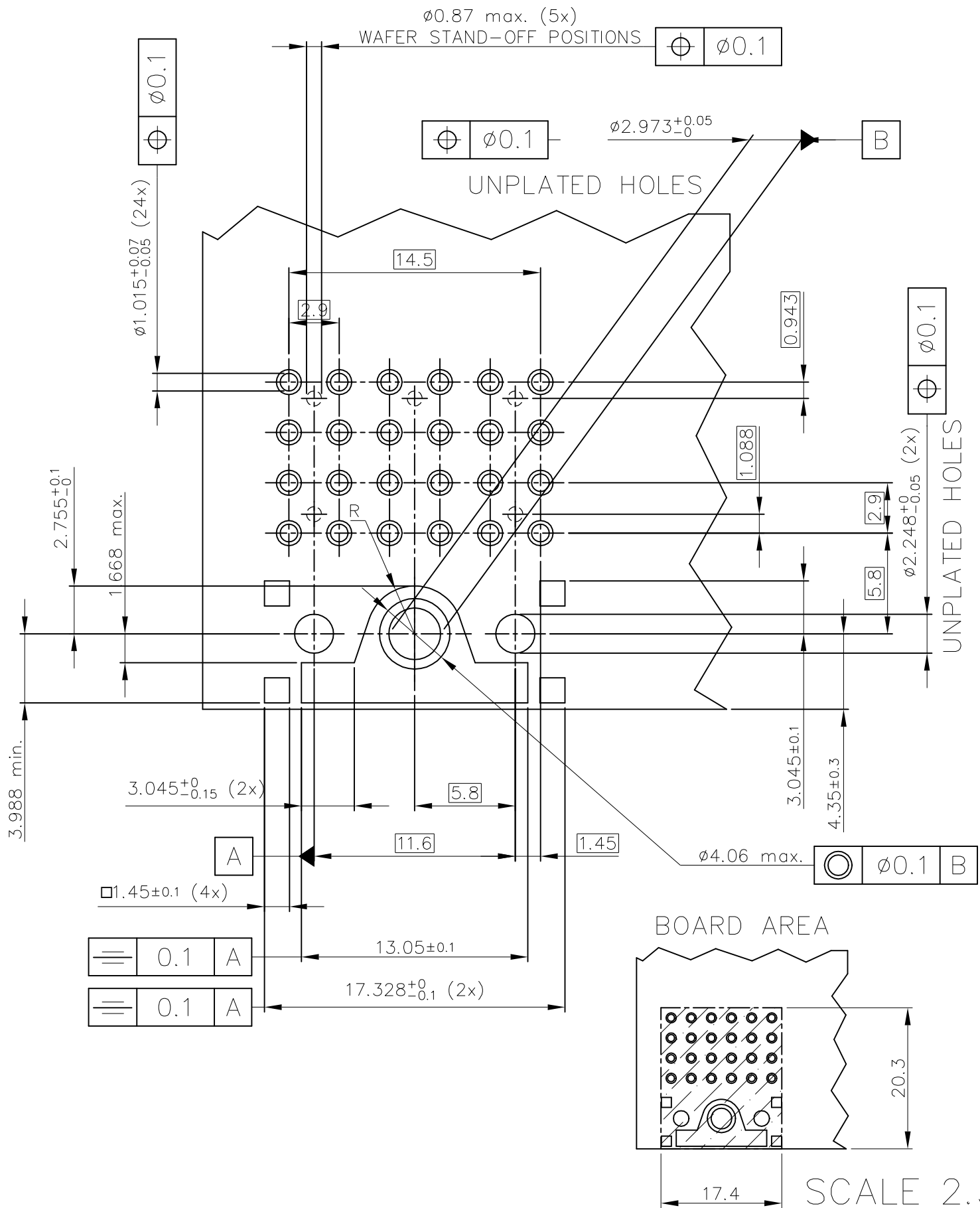
NOTE:

- BODY MATL: Liquid Crystal Polymer 30% glass flame retardent acc. to UL 94-V0.
- WAFER MATL: See body matl., COLOR: Black.
- TERMINAL MATL.: Phosfor bronze.
- PLATING OF TERMINAL AND HDF: SEE DETAIL PLATING SPEC. ON DRAWING 70258.
- No burrs permitted on surface used by vision camera.
- Product marking: Part number, Manufact. date and Factory code.
- DIMENSION TO BE CHECKED WITH GAUGE.
- THIS PRODUCT MEETS EUROPEAN UNION DIRECTIVES AND OTHER COUNTRY REGULATIONS AS DESCRIBED IN GS-22-008.
- THE HOUSING WILL WITHSTAND EXPOSURE TO 260 DEGREE PEAK TEMPERATURE FOR 10 SECONDS IN A WAVE SOLDER APPLICATION.

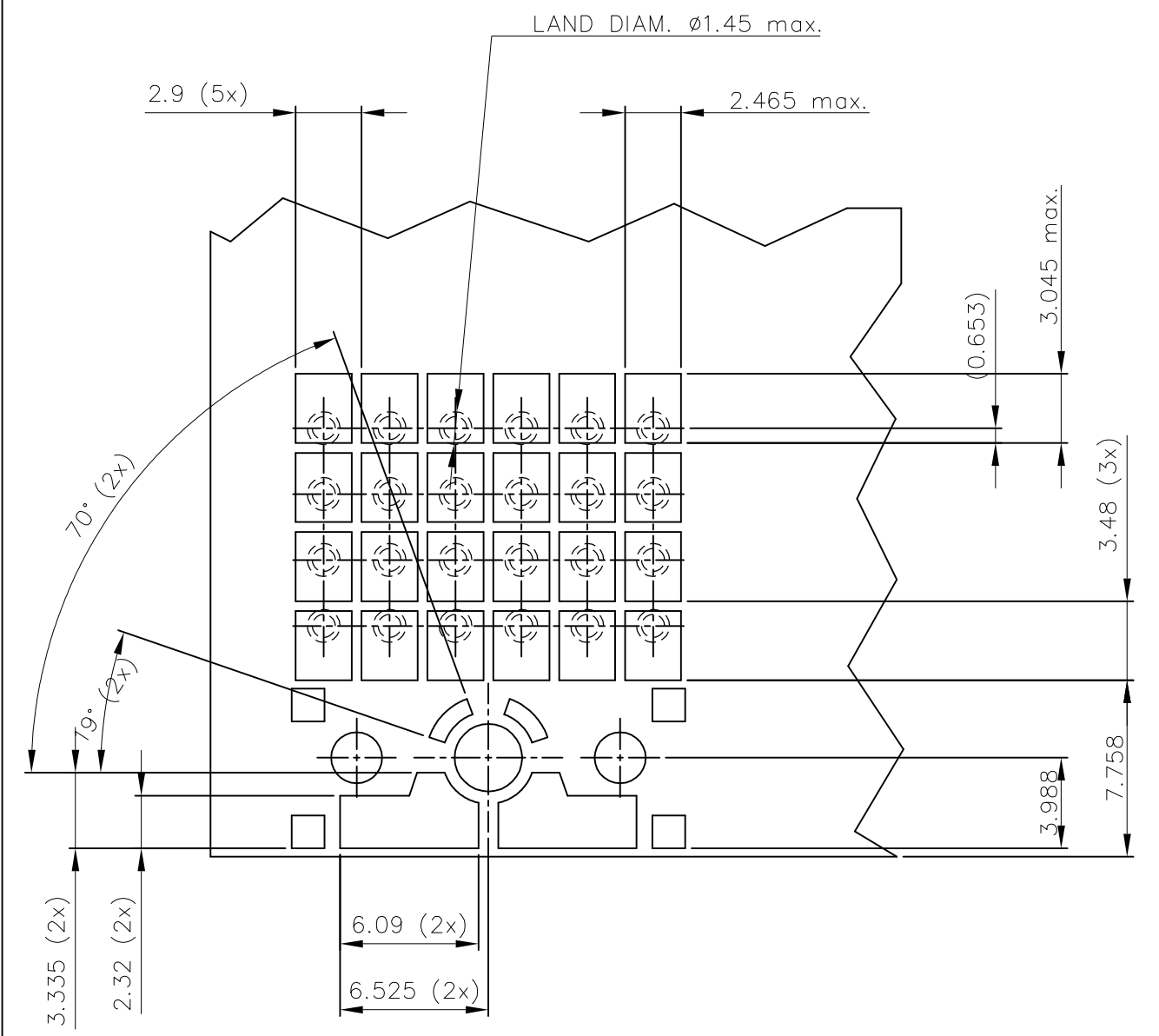


mat'l. code				surface <input checked="" type="checkbox"/> ISO 1302		tolerance <input checked="" type="checkbox"/> ISO 406 <input checked="" type="checkbox"/> ISO 1101		projection		product family METRAL (tm)	
ltr ecn no dr date				tolerances unless otherwise specified				MM		title	
F	B20095	RR	020506							SMT/PIP 4 row	
G	DG05-0239	CLu	020506	angles linear						RA RCP POWER STB	
H	DG05-0382	CLu	051011					scale 5:1		dwg no	
J	ELX-N-26608	MZ	032417	dr		D. de Bil		990429		sheet 1 of 2	
				enr		M. Loman		990429		72651	
				chr		M. Loman		990429		A3	
				appd		M. Loman		990429		type Product Customer Drawing	
sheet index		revision sheet		J J							
		1 2									

RECOMMENDED PC BOARD LAYOUT FOR	
72651-301/301LF	RA RECEPTACLE POWER STB
72651-701/701LF	RA RECEPTACLE POWER STB
72651-101/101LF	RA RECEPTACLE POWER STB



RECOMMENDED STENCIL LAYOUT FOR	
72651-301/301LF	RA RECEPTACLE POWER STB
72651-701/701LF	RA RECEPTACLE POWER STB
72651-101/101LF	RA RECEPTACLE POWER STB



mat'l. code		surface ISO 1302 ✓		tolerance ISO 406 ISO 1101		projection		product family METRAL (tm)	
ltr J		ecn no		dr		date		title SMT/PIP 4 row RA RCP POWER STB	
				angles		linear		scale 5:1	
				dr D. de Bil		990429		dwg no 72651 sheet 2 of 2 size A3	
				enr M. Loman		990429		type Product Customer Drawing	
				chr M. Loman		990429			
				appd M. Loman		990429			
sheet index		revision sheet							



© 2016 AFCI