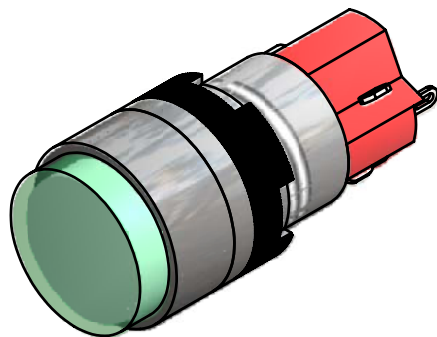
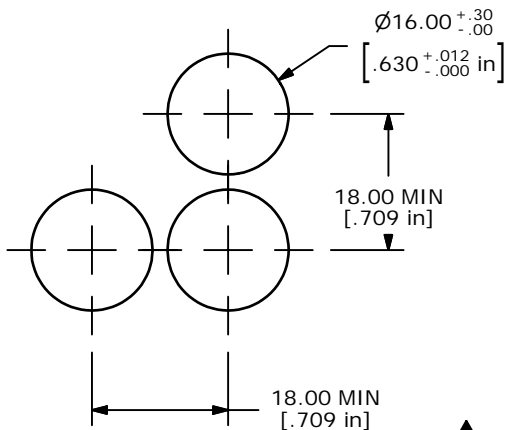


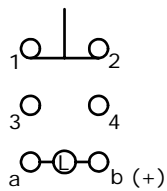
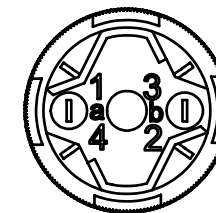
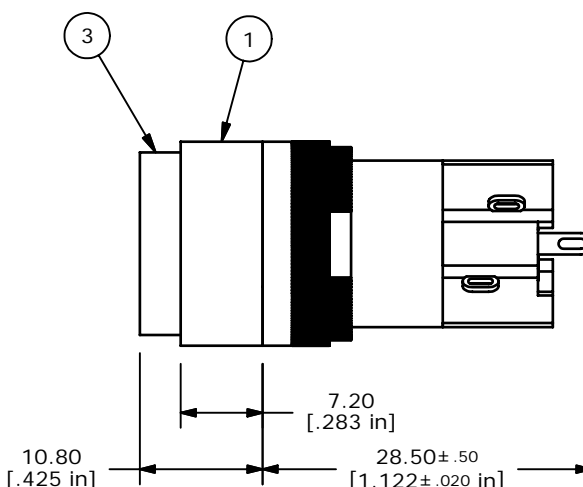
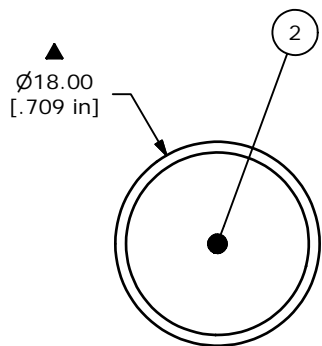
PARTS LIST				
ITEM	QTY	PART NUMBER	DESCRIPTION	
1	1	F040009	D16OAR11	
2	1	F050407	50-004-07 INC 60VAC/DC	
3	1	F050102	50-001-02 CONCAVE GREEN TRANSPARENT	



ISOMETRIC



PANEL MOUNTING



CONTACT CONFIGURATION

- NOTE:
1. ALL DIMENSIONS IN MM [INCH]
 2. GENERAL TOLERANCE: X.X=±0.4
X.XX=±0.25
 3. TERMINAL NUMBERS FOR REF ONLY
 - ▲4. MECHANICAL LIFE: 2,000,000 OPERATIONS
 5. INSULATION RESISTANCE: 1,000 MILLI-OHM MIN.
 6. OPERATING TEMP.: -25°C to 55°C
 7. LAMP TYPE: 60V AC/DC INCANDESCENT
 8. ▲ DENOTES CRITICAL PARAMETER.
 9. PACKAGE: BOX/20 PER
 10. 2002/95/EC (ROHS) COMPLIANT



TITLE D16OAR11EGRN

A	17188	RELEASED FOR PRODUCTION	4/16/07	TN
REV	PCR NO	DESCRIPTION	DATE	BY

THE INFORMATION CONTAINED IN THIS DOCUMENT IS PROPRIETARY TO E-SWITCH AND IS NOT TO BE COPIED OR TRANSFERRED

SCALE	DATE	DR	DWG	REV
2:1	4/16/2007	TN	XF0716P	A