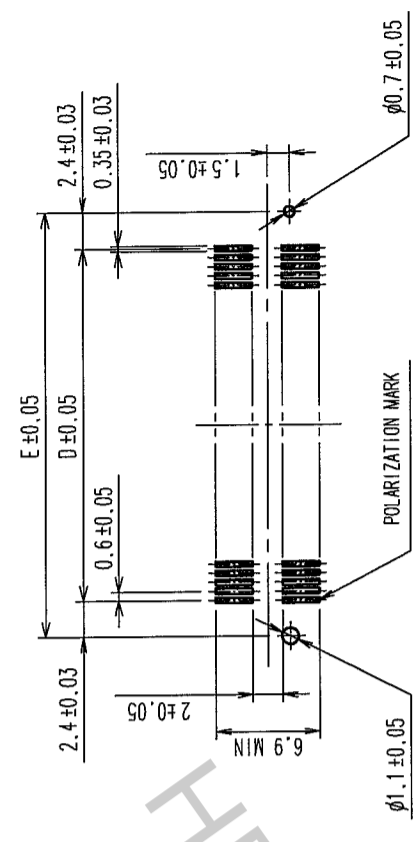


COUNT	DESCRIPTION OF REVISIONS	BY	CHKD	DATE	COUNT	DESCRIPTION OF REVISIONS	BY	CHKD	DATE
3	RE-F-09671	K.N	H.Y	04.04.08					

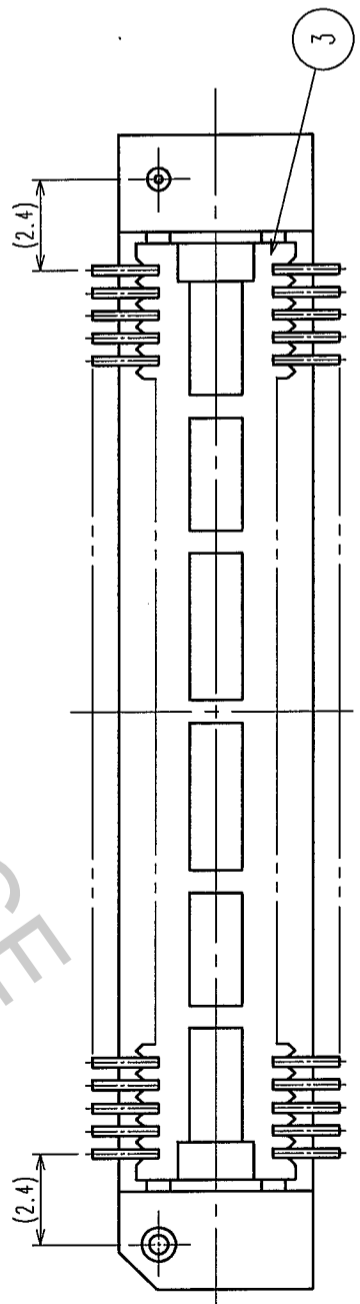
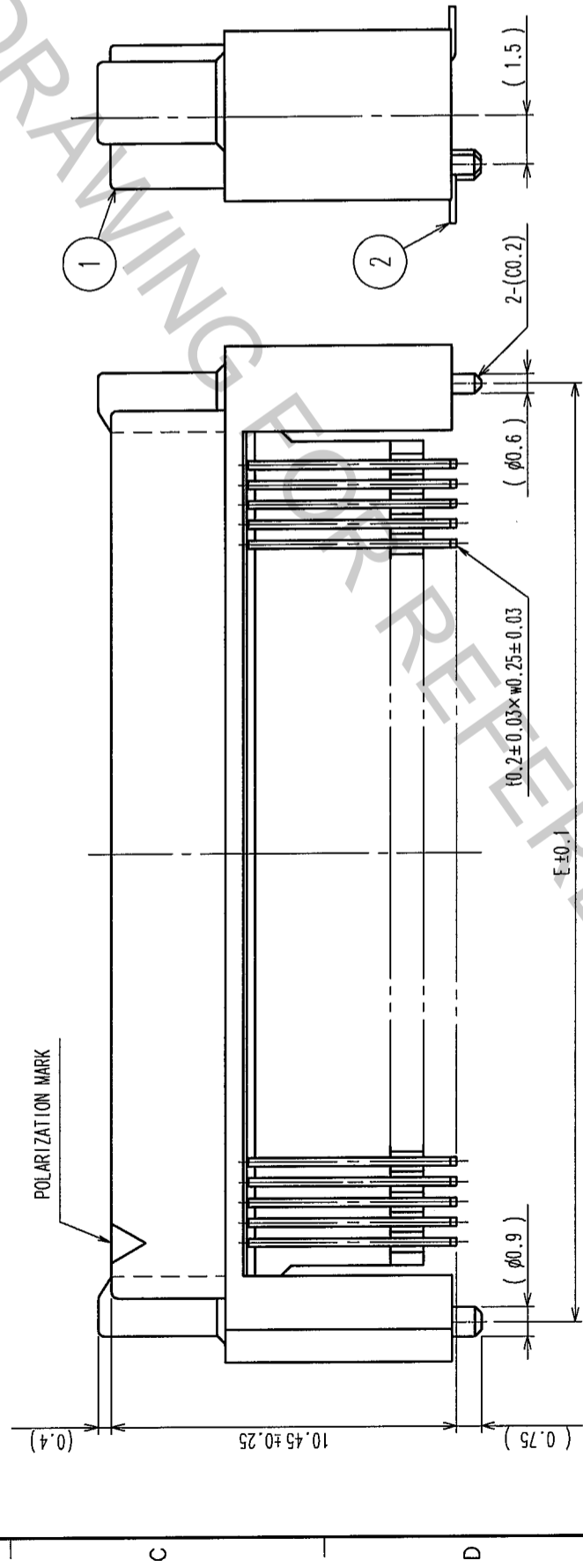
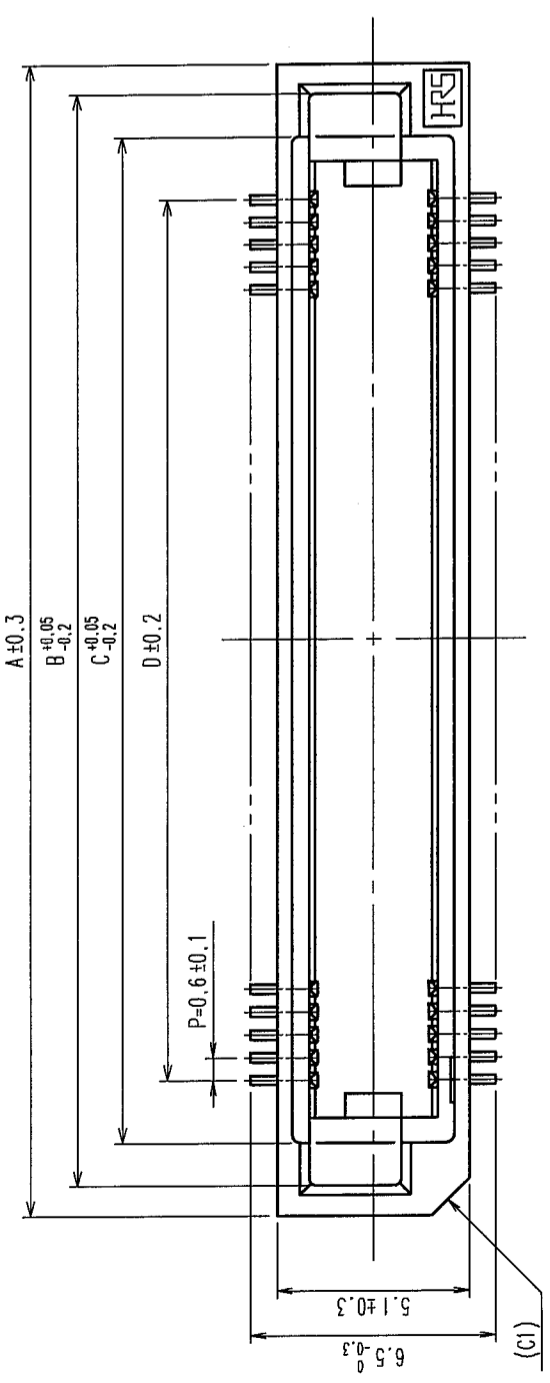
RECOMMENDED LAND PATTERN DIMENSION OF P.C.B. (MOUNTING SIDE)



DIMENSION TABLE OF CONNECTOR AND P.C.B. LAND PATTERN.

PART No.	CODE No.	6	7	A	B	C	D	E
FX8C-60P-SV6(93)	CL578-0601-3-93	60	X	24.60	23.00	20.70	17.40	22.20
FX8C-80P-SV6(93)	CL578-0603-9-93	80	X	30.60	29.00	26.70	23.40	28.20
FX8C-100P-SV6(93)	CL578-0605-4-93	100	X	36.60	35.00	32.70	29.40	34.20
FX8C-120P-SV6(93)	CL578-0606-7-93	120	-	42.60	41.00	38.70	35.40	40.20
FX8C-140P-SV6(93)	CL578-0607-0-93	140	-	48.60	47.00	44.70	41.40	46.20

- NOTE 1. LEAD CO-PLANARITY SHALL BE 0.1mm MAX.
 2. EMBOSSED CARRIER TAPE PACKAGING SHALL BE APPLIED TO THIS PRODUCT. SEE NEXT PAGE FOR DETAILS.
 3. THIS PRODUCT HAS TAPE FOR VACUUM PICKUP. SEE NEXT PAGE FOR DETAIL OF STICKING POSITION, ETC.
 4. FOR MODIFICATION, ETC, PREVENTIVE HOLE FOR SINK MARK MAY BE ADDED ACCORDING TO CIRCUMSTANCES.
 5. THE DIMENSIONS IN PARENTHESES ARE FOR REFERENCE.
 6. NUMBER OF CONTACTS.
 7. EXISTENCE
 X: PRODUCED, -: NO PRODUCED



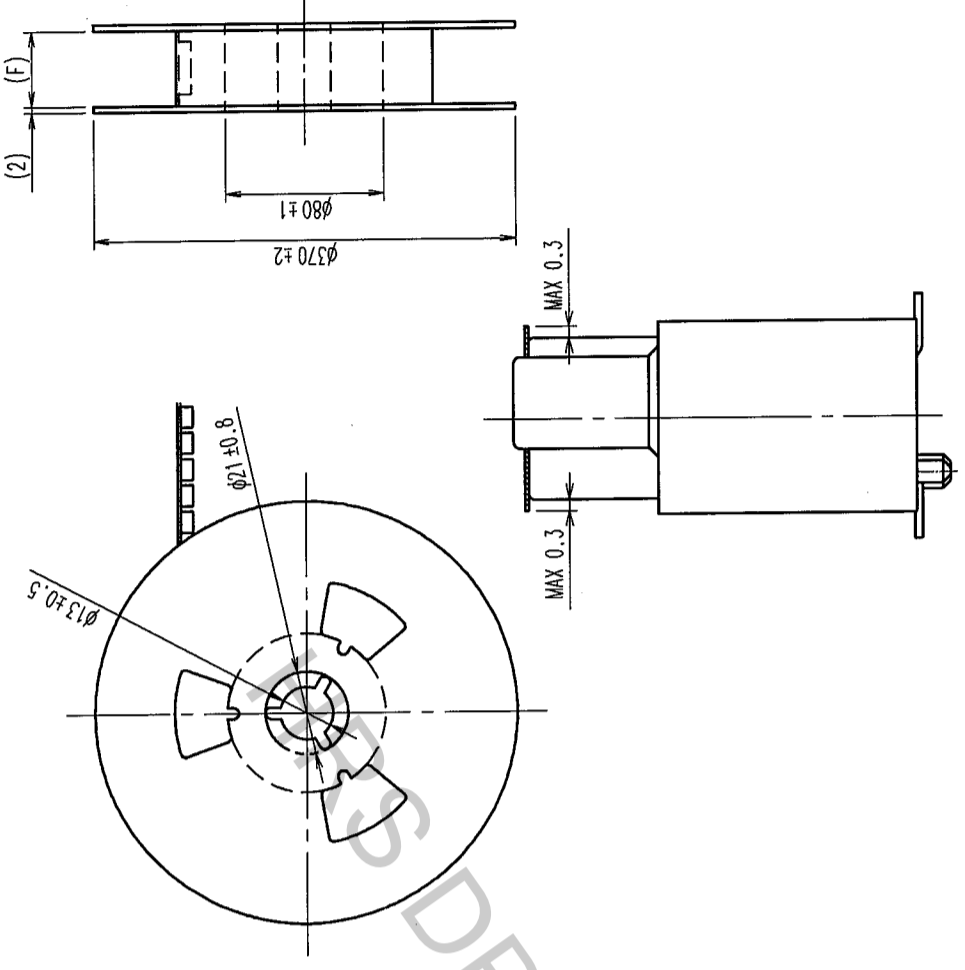
1, 3	PPS	LIGHT BROWN (UL94V-0)	2	PHOSPHOR BRONZE	CONTACT AREA: GOLD 0.1μm min LEAD AREA: TIN-PLATING 1μm min UNDER PLATING: NICKEL 1μm min
NO.	MATERIAL	FINISH, REMARKS	NO.	MATERIAL	FINISH, REMARKS
CODE NO. (OLD)	CL				
DRAWN		DESIGNED		CHECKED	
S. SUZUKI		K. NAKAMURA		H. OKAWA	
03.02.04		03.02.12		03.02.14	
PART NO.		FX8C-**P-SV6(93)			
DRAWING NO.		EDC3-151090-23			
SCALE		FREE			
UNITS		mm			
HIROSE ELECTRIC CO., LTD		CODE NO.		CL578	
		PART NO.		FX8C-**P-SV6(93)	
		DESIGNED		CHECKED	
		K. NAKAMURA		H. OKAWA	
		03.02.04		03.02.12	
		03.02.14		03.02.15	
		APPROVED		RELEASED	
		Y. YOSHIMURA			

TO	
PCK	

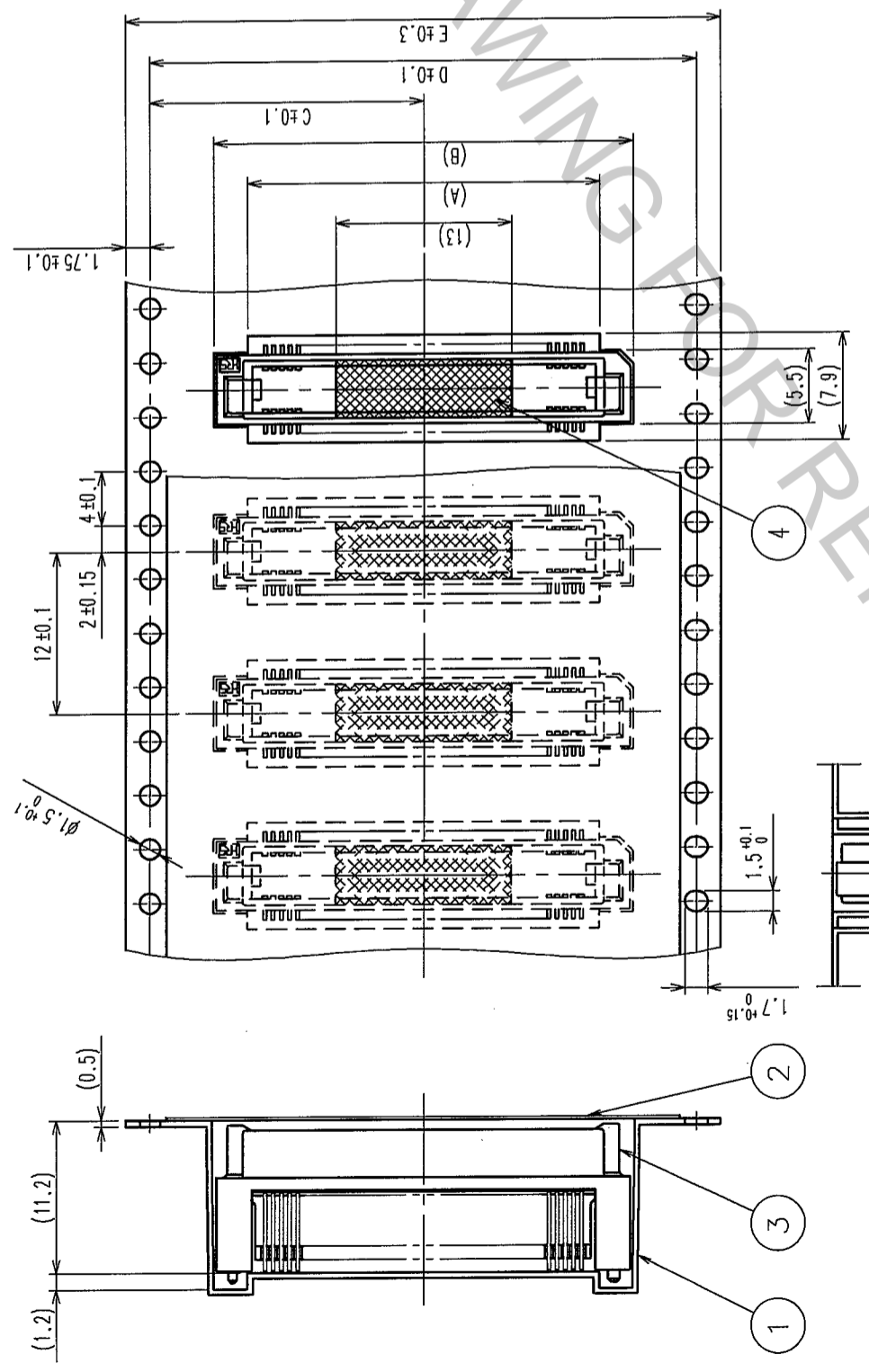
COUNT	DESCRIPTION OF REVISIONS	BY	CHKD	DATE	COUNT	DESCRIPTION OF REVISIONS	BY	CHKD	DATE

UNREELING DIRECTION 

REEL DIMENSION

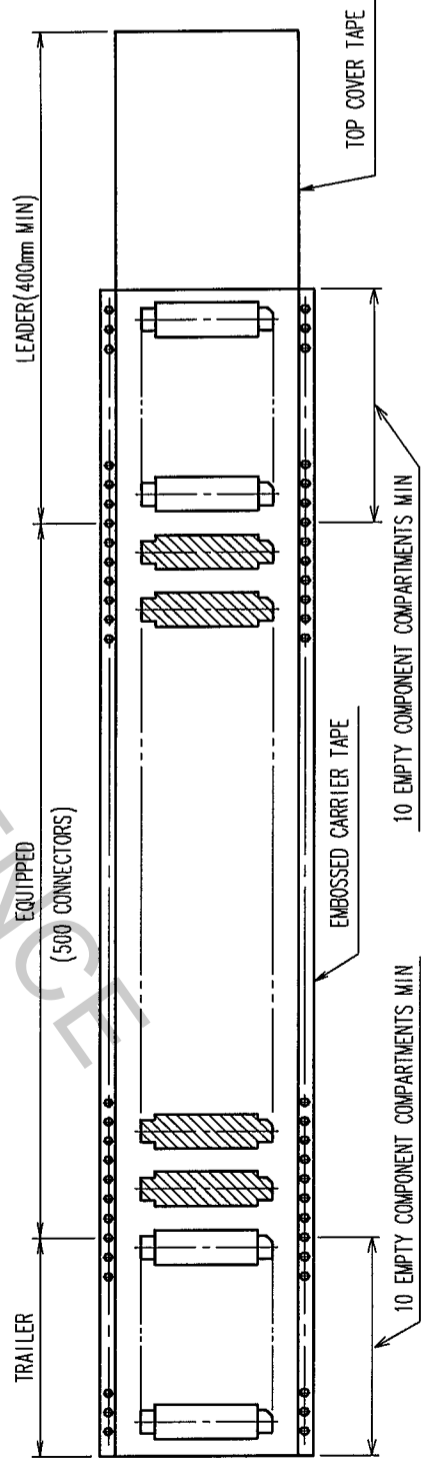


DETAIL OF TAPE FOR VACUUM PICKUP(5:1)



△ DIMENSION TABLE OF EMBOSSED CARRIER TAPE AND REEL.

PART No.	CODE No.	2	3	A	B	C	D	E	F
FX8C-60P-SV6(93)	CL578-0601-3-93	60	X	20	25	20.2	40.4	44	44.4
FX8C-80P-SV6(93)	CL578-0603-9-93	80	X	26	31	20.2	40.4	44	44.4
FX8C-100P-SV6(93)	CL578-0605-4-93	100	X	32	37	26.2	52.4	56	56.4
FX8C-120P-SV6(93)	CL578-0606-7-93	120	-	38	43	26.2	52.4	56	56.4
FX8C-140P-SV6(93)	CL578-0607-0-93	140	-	44	49	34.2	68.4	72	72.4



NOTE 1. 1 REEL : 500 CONNECTORS
 2. NUMBER OF CONTACTS
 3. EXISTENCE
 X : PRODUCED, - : NO PRODUCED

NO.	MATERIAL	FINISH, REMARKS	NO.	MATERIAL	FINISH, REMARKS	DESIGNED	CHECKED	APPROVED	RELEASED
2	POLYESTER	(TOP COVER TAPE)	4	POLYIMIDE	(TAPE FOR VACUUM PICKUP)				
1	PS	(EMBOSSED CARRIER TAPE)	3		(CONNECTOR)				
CODE NO. (OLD)		DRAWN		DESIGNED		CHECKED		APPROVED	
CL		S. SUZUKI		K. NAKAMURA		H. OKAWA		Y. YOSHIMURA	
		03.02.04		03.02.12		03.02.14		03.02.15	
DRAWING NO.		PART NO.		FX8C-*		P-SV6(93)			
EDC3-151090-23									
SCALE		HIROSE ELECTRIC CO., LTD		CODE NO.		CL578			
FREE									
UNITS									

TO	
PCK	