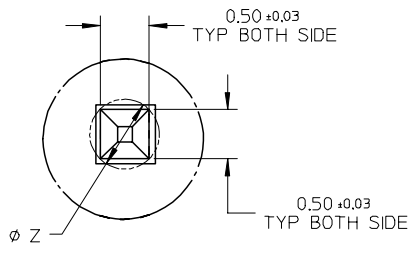
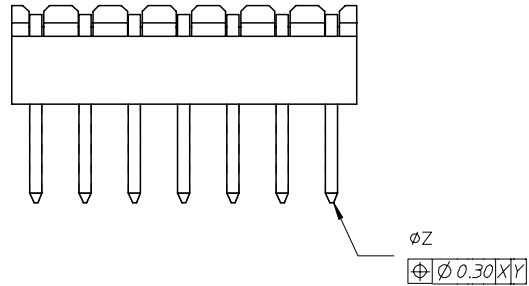


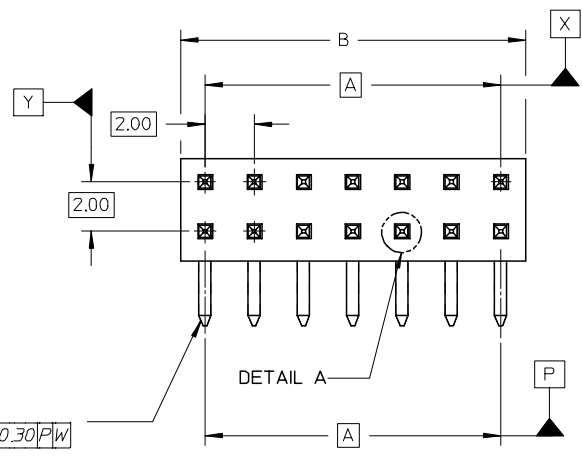
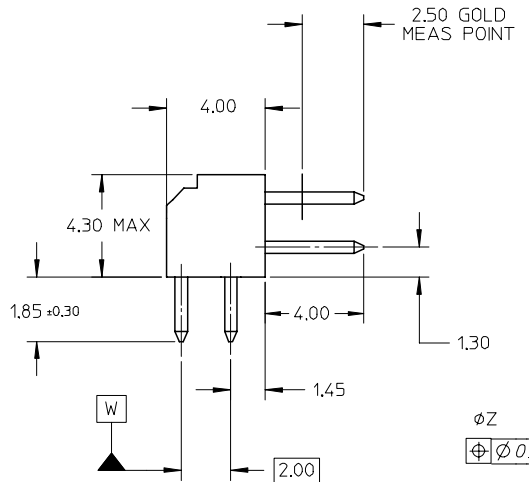
10 9 8 7 6 5 4 3 2 1



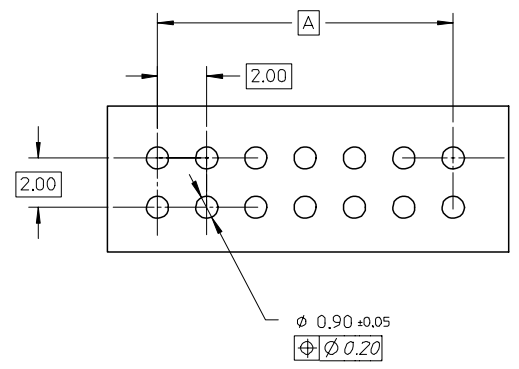
DETAIL A



- NOTES:
1. MATERIAL:
HSG: PCT, 30% GLASS FILLED, UL 94V-0, COLOUR BLACK.
PIN: 0.50MM SQ PHOSPHOR BRONZE 510
 2. PLATING:
GOLD FLASH IN CONTACT AREA,
TIN IN SOLDER TAIL AREA, BOTH OVER NICKEL OVERALL
 3. 14 CKT USED FOR ILLUSTRATION ONLY
 4. PART TO BE PACKED IN TAPE & REEL (SEE SHT 2).
 5. PRODUCT SPEC PS-87761-100 APPLIES.



DETAIL A

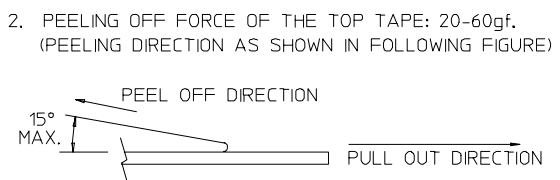
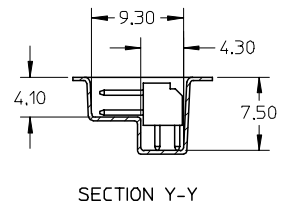
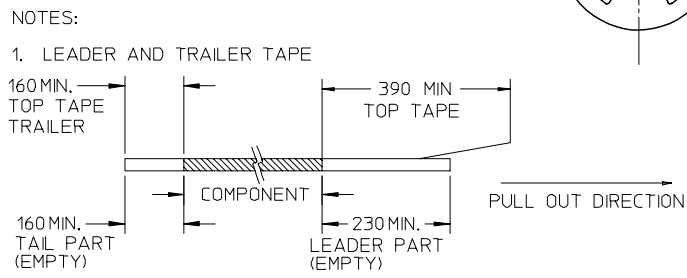
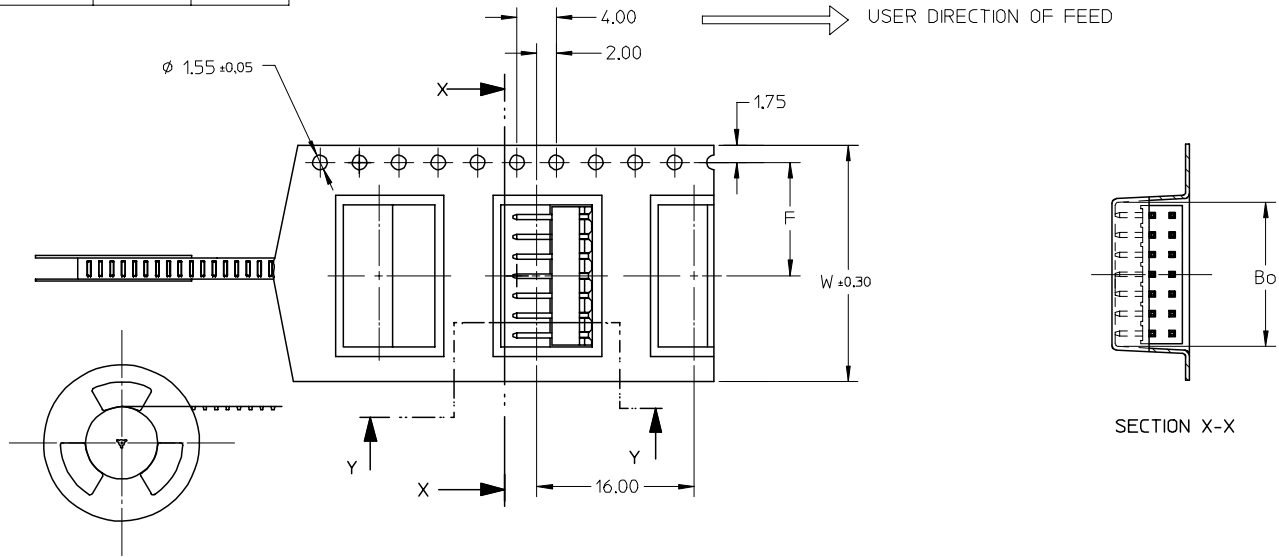


RECOMMENDED PCB LAYOUT

EC NO: S2005-0842 2005/06/01 DRAWN: YLQ1A0 2005/06/01 CHKD: PTLIM 2005/06/01 APPR: SCLOW 2005/06/01	DESCRIPTION REV	QUALITY SYMBOLS	GENERAL TOLERANCES (UNLESS SPECIFIED)	DIMENSION STYLE	SCALE	DESIGN UNITS	THIRD ANGLE PROJECTION
		▼=0 ▽=0	mm INCH 4 PLACES ± --- ± --- 3 PLACES ± --- ± --- 2 PLACES ± 0.2 ± --- 1 PLACE ± --- ± --- ANGULAR ± 3 °	MM ONLY	NTS	METRIC	DRAWN BY YLQ1A0 DATE 2005/02/28 CHECKED BY PTLIM DATE 2005/06/01 APPROVED BY SCLOW DATE 2005/06/01 MATERIAL NO. SEE TABLE DOCUMENT NO. SD-87760-148 SHEET NO. 1 OF 2
DRAFT WHERE APPLICABLE MUST REMAIN WITHIN DIMENSIONS			TITLE SALES DRAWING MGRID 2MM DUAL ROW HRD. R/A, IN TAPE & REEL		MOLEX INCORPORATED		

9 8 7 6 5 4 3 2 1

		10	9	8	7	6	5	4	3	2	1
F	PART NUMBER (IN TAPE/REEL)	CKT SIZE	A	B	Bo	F	So	W			
	87760-8011	4	2.00	4.00	4.30	7.50	-	16.00			
	87760-8012	10	8.00	10.00	10.40	11.50	-	24.00			
	87760-8013	12	10.00	12.00	12.40	11.50	-	24.00			
	87760-8014	14	12.00	14.00	14.40	11.50	-	24.00			



3. PACKAGING STANDARD IS AS PER EIA-481.
4. TAPE & REEL QUANTITY = 500PCS/REEL

EC NO: S2005-0842 2005/06/01	DRWN: YLQIAO 2005/06/01	CHKD: PTLIM 2005/06/01	APPR: SCLOW 2005/06/01	DESCRIPTION	QUALITY SYMBOLS	GENERAL TOLERANCES (UNLESS SPECIFIED)		DIMENSION STYLE	SCALE	DESIGN UNITS	THIRD ANGLE PROJECTION	
					▽=0 ∇=0	mm	INCH	NTS	METRIC			
DRAWING TITLE					4 PLACES	± ---	± ---	DRAWN BY	DATE	SALES DRAWING MGRID 2MM DUAL ROW HRD. R/A, IN TAPE & REEL		
					3 PLACES	± ---	± ---	YLQIAO	2005/02/28			
DRAFT WHERE APPLICABLE MUST REMAIN WITHIN DIMENSIONS					2 PLACES	± 0.2	± ---	CHECKED BY	DATE	MOLEX INCORPORATED		
					1 PLACE	± ---	± ---	PTLIM	2005/06/01			
SIZE					ANGULAR ± 3 °		SEE TABLE	APPROVED BY	DATE	DOCUMENT NO.	SHEET NO.	
					A3		THIS DRAWING CONTAINS INFORMATION THAT IS PROPRIETARY TO MOLEX INCORPORATED AND SHOULD NOT BE USED WITHOUT WRITTEN PERMISSION	SCLOW	2005/06/01	SD-87760-148	2 OF 2	