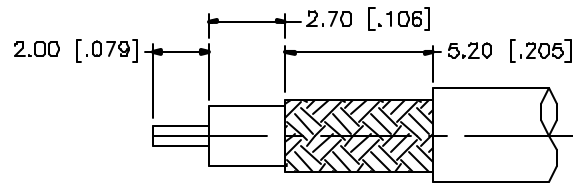
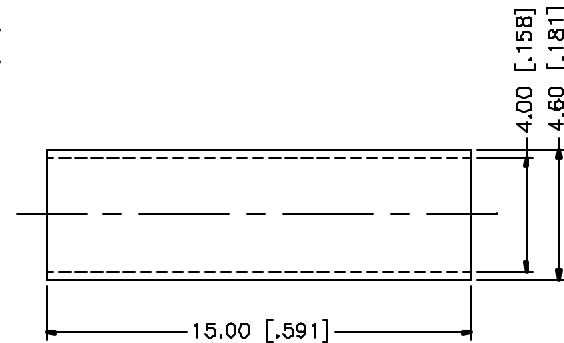
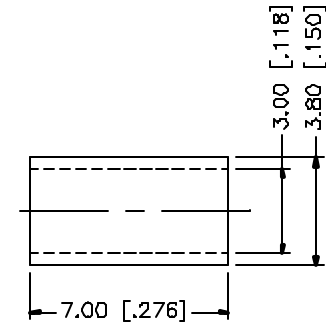
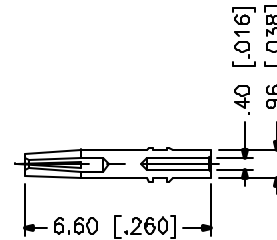
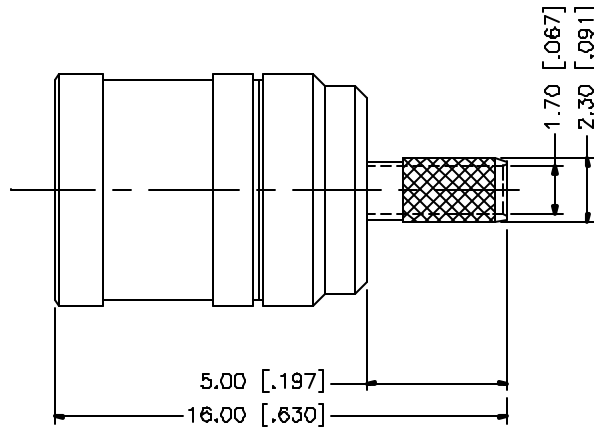


REV.	DATE	DESCRIPTION
A	01/14/04	UPDATE DRAWING FORMAT



RECOMMENDED
CABLE STRIPPING DIM'S



NOTE:

1. CRIMPED FERRULE
HEX CRIMP SIZE .128"
2. CONTACT PIN TO SOLDER.

				UNLESS OTHERWISE SPECIFIED DIMENSIONS ARE IN MILLIMETERS. DIMENSIONS IN () ARE IN INCHES AND FOR CUSTOMER REFERENCE ONLY.	APPROVALS	DATE	<h1 style="color: blue; margin: 0;">Amphenol Connex</h1>							
8					DRAWN	G.R.S.					01/14/04	PART DESCRIPTION SMB CRIMP PLUG (FOR RG-179/U, 187A/U)		
7					CHECKED			PART NO. 142103						
6					ISSUED							DWG. NO. 142103.DWG <table style="float: right; margin-top: 5px;"> <tr> <td>REV. A</td> <td>SIZE A</td> <td>SCALE NA</td> </tr> </table>		
REV. A	SIZE A	SCALE NA												
5	HEAT SHRINK TUBE		BLACK	1	SHEET	1 OF 1		DO NOT SCALE DRAWING						
4	FERRULE	COPPER	GOLD	1	CAD FILE	C:/142/142103.DWG								
3	CONTACT PIN	BER. COPPER	GOLD	1	UNLESS OTHERWISE SPECIFIED DIMENSIONS ARE IN MILLIMETERS. DIMENSIONS IN () ARE IN INCHES AND FOR CUSTOMER REFERENCE ONLY. TOLERANCES FOR MILLIMETERS ARE: 0.5 - 8mm ± 0.20mm 8 - 30mm ± 0.40mm 30 - 120mm ± 0.50mm UNLESS OTHERWISE SPECIFIED TOLERANCES FOR INCHES ARE: .020 - .315 = ± 0.007" .315 - 1.180 = ± 0.015" 1.180 - 4.724 = ± 0.020"									
2	INSULATOR	TEFLON	NATURAL	1										
1	BODY	BRASS	GOLD	1										
DESCRIPTION				MATERIAL	FINISH	QTY								