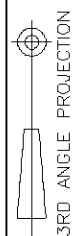


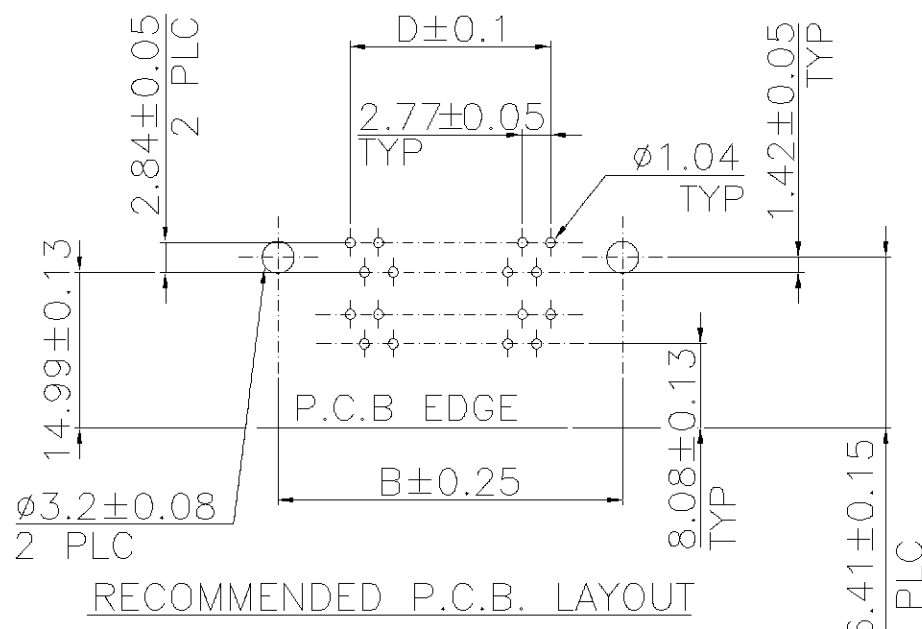
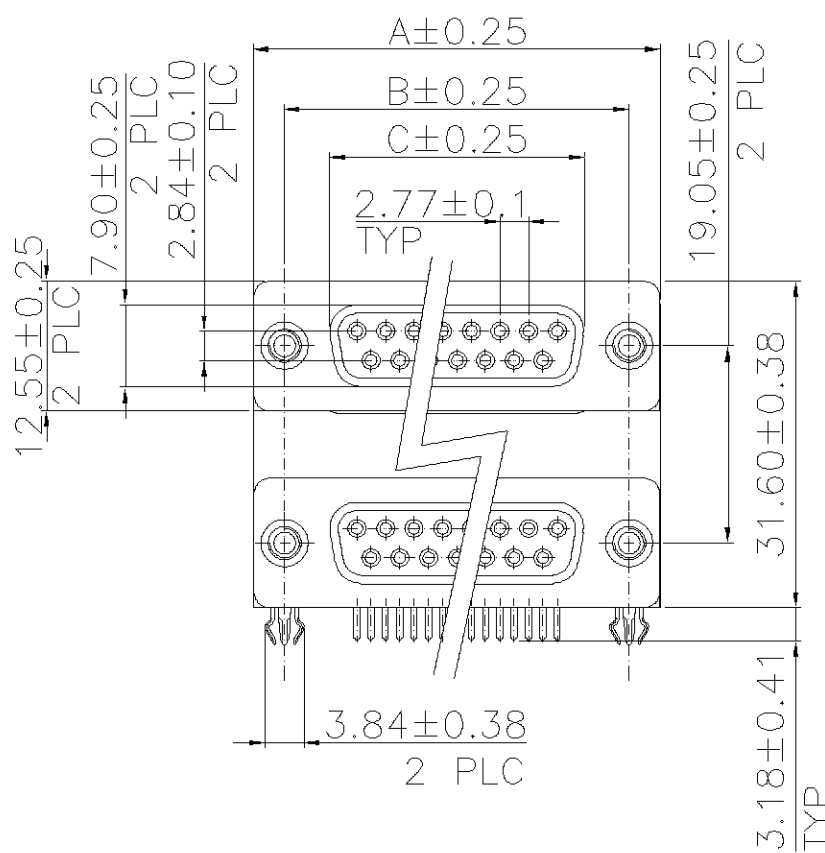
NUMBER
C-440397



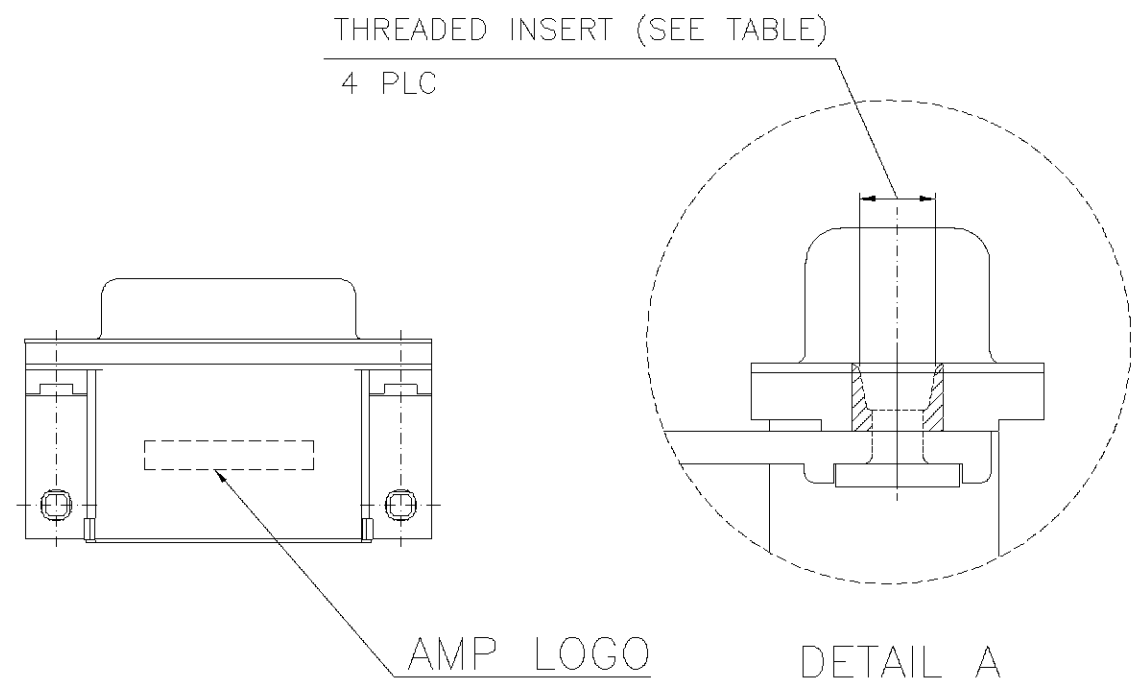
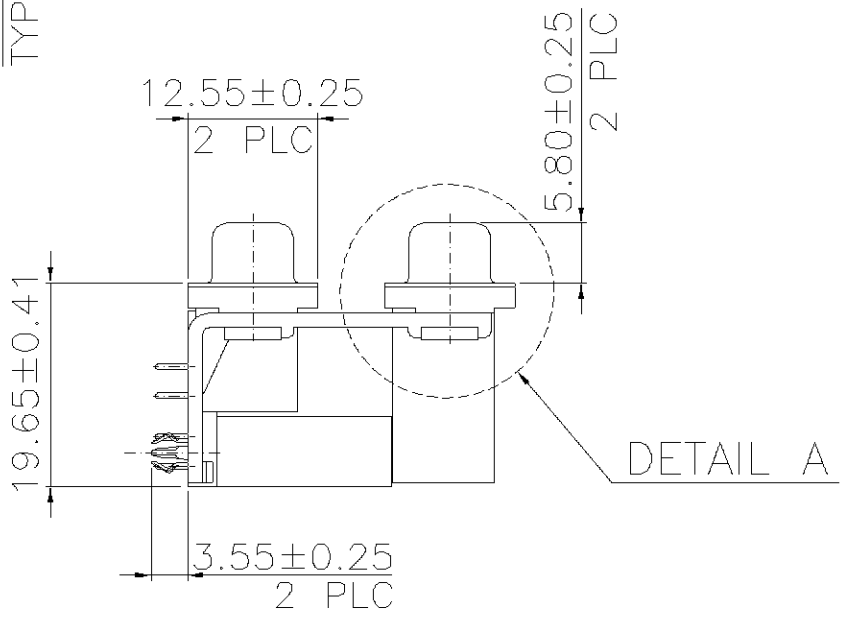
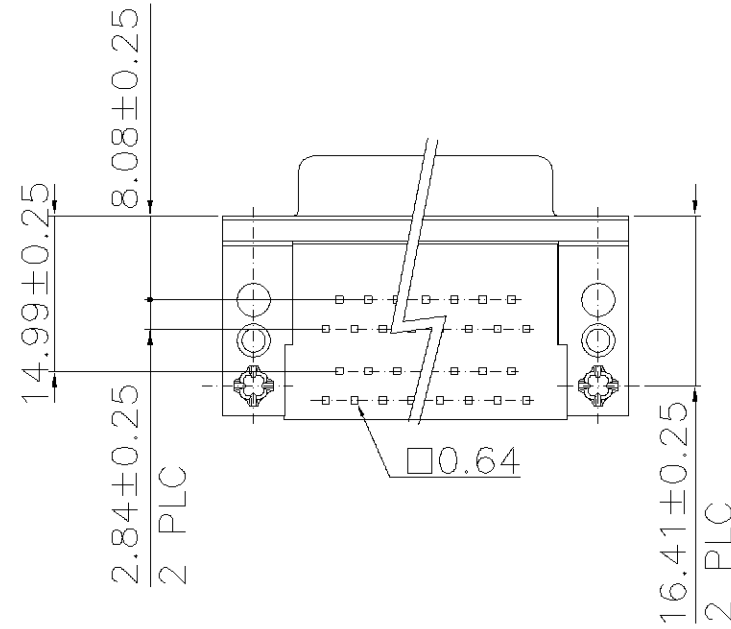
METRIC

THIS INFORMATION IS CONFIDENTIAL AND IS DISCLOSED TO YOU ON CONDITION THAT NO FURTHER DISCLOSURE IS MADE BY YOU TO OTHER THAN AMP PERSONNEL WITHOUT WRITTEN AUTHORIZATION FROM AMP (TAIWAN) LTD. DIMENSIONS IN MILLIMETERS. DO NOT SCALE PRINT.

PRINT
DW



- NOTE:
- SPECIFICATIONS:
CURRENT RATING: 2 AMPS.
VOLTAGE RATING: 250 VAC.
DIELECTRIC WITHSTANDING VOLTAGE: 500 VAC(RMS).
INSULATION RESISTANCE: 1000 MEGOHMS MIN.
CONTACT RESISTANCE: 30 MILLIOHMS MAX.
OPERATING TEMPERATURE: -55° TO 105°C
 - SPECIFICATIONS SUBJECT TO CHANGE WITHOUT NOTICE.
CONTACT AMP FOR THE LATEST SPECIFICATIONS.
 - CHOOSE PRE-FIX FROM LEFT TABLE AND SUFFIX FROM RIGHT TABLE FOR DESIRED PART NUMBER COMBINATION.
 - RECOMMENDED THREAD LENGTH OF SCREW : 5.0mm MIN.



| | | | | | | |
|------------|-------|-----------------|-------|-------|-------|-------|
| 9-440397-X | 37-37 | M3 X 0.5 | 69.34 | 63.50 | 54.80 | 49.86 |
| 8-440397-X | 9-9 | M3 X 0.5 | 30.95 | 24.99 | 16.20 | 11.08 |
| 3-440397-X | 37-37 | #4-40 UNC | 69.34 | 63.50 | 54.80 | 49.86 |
| 2-440397-X | 25-25 | #4-40 UNC | 53.10 | 47.04 | 38.30 | 33.24 |
| 1-440397-X | 15-15 | #4-40 UNC | 39.30 | 33.30 | 24.60 | 19.39 |
| 440397-X | 9-9 | #4-40 UNC | 30.95 | 24.99 | 16.20 | 11.08 |
| PART NO. | PINS | THREADED INSERT | A | B | C | D |

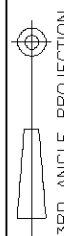
| | | | |
|------------|--------------|-------------------|---------------------------|
| X-440397-6 | 30 u" | PC99/ACTUAL COLOR | 37-37 NOT AVAILABLE |
| X-440397-5 | 10 u" | PC99/ACTUAL COLOR | |
| X-440397-4 | GOLD FLASH | PC99/ACTUAL COLOR | |
| X-440397-3 | 30 u" | BLACK | |
| X-440397-2 | 10 u" | BLACK | |
| X-440397-1 | GOLD FLASH | BLACK | |
| PART NO. | GOLD PLATING | HSG COLOR | |

| | | | | |
|-----|-----------------|--------------|---------|------------|
| C | ADDED PART NO. | FZ00-0274-02 | AW/JC | 12DEC 2002 |
| B | ADDED PART NO. | FZ00-0034-02 | SH/JC | 20FEB 2002 |
| A | REVISED | FW00-0050-01 | AW/JC | 13APR 2001 |
| O | NEW RELEASED | FW00-0064-00 | AW/JC | 10AUG 2000 |
| LTR | REVISION RECORD | ECN | DWN/CHK | DATE |

| | |
|--|--------------------------------|
| TOLERANCES UNLESS OTHERWISE SPECIFIED: 0 PLC ± 1 PLC ±0.12 2 PLC ±0.06 3 PLC ± ANGLES ±1' | DWN A. WU 16-DEC-2002 |
| MATERIAL HOUSING: THERMOPLASTIC, UL94V-0 CONTACT: COPPER ALLOY BRACKET: ZINC ALLOY SHELL: STEEL | CHK J. CHENG 16-DEC-2002 |
| FINISH CONTACT AREA: GOLD (SEE TABLE) OVER 50u" MIN. NICKEL SOLDER TAILS: 100u" TIN-LEAD OVER 50u" MIN. NICKEL | APVD J. WU 16-DEC-2002 |
| PRODUCT SPEC SEE NOTE 1. | |
| APPLICATION SPEC | |
| WEIGHT | |

| | |
|--|------------------------|
| tyco TYCO HOLDINGS (BERMUDA) VII LTD. TAIWAN BRANCH | |
| NAME D-SUB STACKED RCPT OVER RCPT, R/A TYPE, THREAD INSERTS | |
| LOC DW | SIZE A ₃ |
| DRAWING NO C-440397 | REV C |
| SCALE -- | SHEET 1 OF 3 |

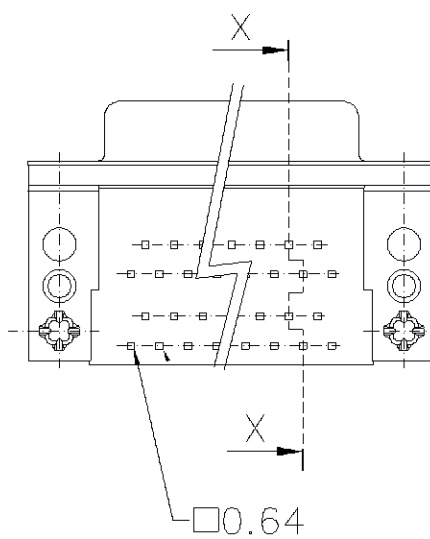
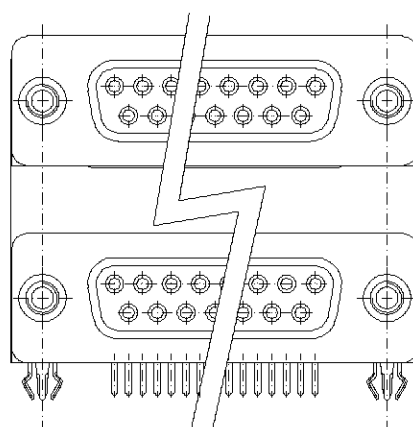
NUMBER
C-440397



METRIC

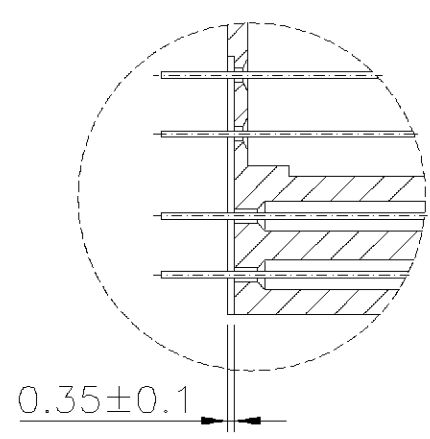
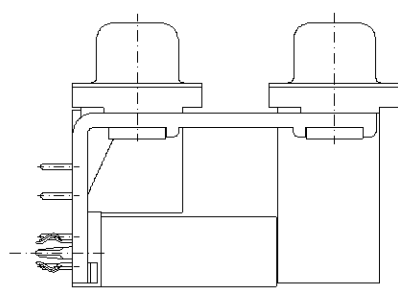
THIS INFORMATION IS CONFIDENTIAL AND IS DISCLOSED TO YOU ON CONDITION THAT NO FURTHER DISCLOSURE IS MADE BY YOU TO OTHER THAN AMP PERSONNEL WITHOUT WRITTEN AUTHORIZATION FROM AMP (TAIWAN) LTD. DIMENSIONS IN MILLIMETERS. DO NOT SCALE PRINT.

PRINT DIST
DW



| | | | | | | |
|------------|-------|-----------------|-------|-------|-------|-------|
| 7-440397-X | 37-37 | #4-40 UNC | 69.34 | 63.50 | 54.80 | 49.86 |
| 6-440397-X | 25-25 | #4-40 UNC | 53.10 | 47.04 | 38.30 | 33.24 |
| 5-440397-X | 15-15 | #4-40 UNC | 39.30 | 33.30 | 24.60 | 19.39 |
| 4-440397-X | 9-9 | #4-40 UNC | 30.95 | 24.99 | 16.20 | 11.08 |
| PART NO. | PINS | THREADED INSERT | A | B | C | D |

| | | | |
|------------|--------------|-------------------|---------------------------|
| X-440397-6 | 30 u" | PC99/ACTUAL COLOR | 37-37 NOT AVAILABLE |
| X-440397-5 | 10 u" | PC99/ACTUAL COLOR | |
| X-440397-4 | GOLD FLASH | PC99/ACTUAL COLOR | |
| X-440397-3 | 30 u" | BLACK | |
| X-440397-2 | 10 u" | BLACK | |
| X-440397-1 | GOLD FLASH | BLACK | |
| PART NO. | GOLD PLATING | HSG COLOR | |

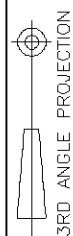


SEC. X-X

| | | | | |
|-----|-----------------|-----|------------|------|
| | | | | |
| | | | | |
| | SEE SHEET 1 | | | |
| LTR | REVISION RECORD | ECN | DWN CHK | DATE |

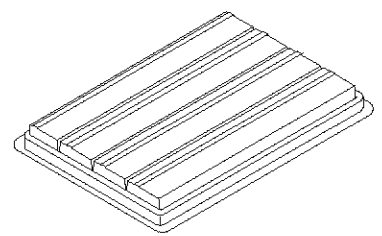
| | | | | |
|--|----------------|------------------|-------------|--|
| TOLERANCES UNLESS OTHERWISE SPECIFIED: | | DWN | A. WU | tyco TYCO HOLDINGS (BERMUDA) Electronics VII LTD. TAIWAN BRANCH |
| 0 PLC ± | | 16-DEC-2002 | 16-DEC-2002 | |
| 1 PLC ±0.12 | | CHK | J. CHENG | NAME |
| 2 PLC ±0.06 | | | 16-DEC-2002 | |
| 3 PLC ± | | APVD | J. WU | D-SUB STACKED RCPT OVER RCPT, R/A TYPE, THREAD INSERTS |
| ANGLES ±1' | | | 16-DEC-2002 | |
| MATERIAL | SEE SHEET 1 | PRODUCT SPEC | | |
| FINISH | SEE SHEET 1 | APPLICATION SPEC | | |
| | | WEIGHT | | |
| LOC | SIZE | DRAWING NO | REV | |
| DW | A ₃ | C-440397 | C | |
| SCALE | -- | SHEET | 2 OF 3 | |

NUMBER
C-440397

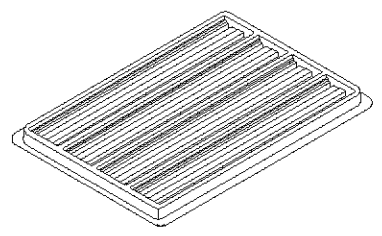


METRIC

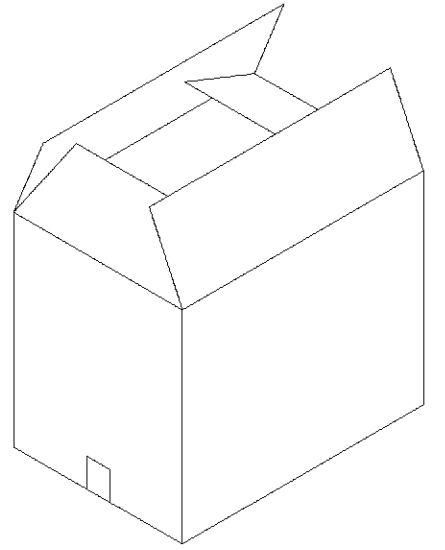
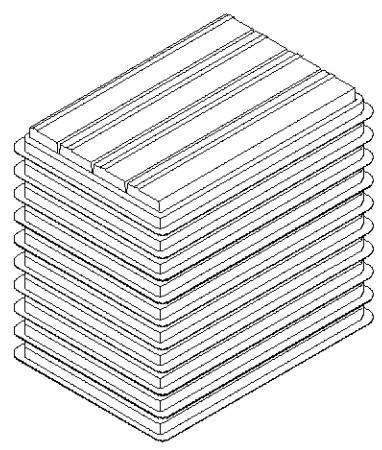
THIS INFORMATION IS CONFIDENTIAL AND IS DISCLOSED TO YOU ON CONDITION THAT NO FURTHER DISCLOSURE IS MADE BY YOU TO OTHER THAN AMP PERSONNEL WITHOUT WRITTEN AUTHORIZATION FROM AMP (TAIWAN) LTD. DIMENSIONS IN MILLIMETERS. DO NOT SCALE PRINT.



TOP COVER



TRAY

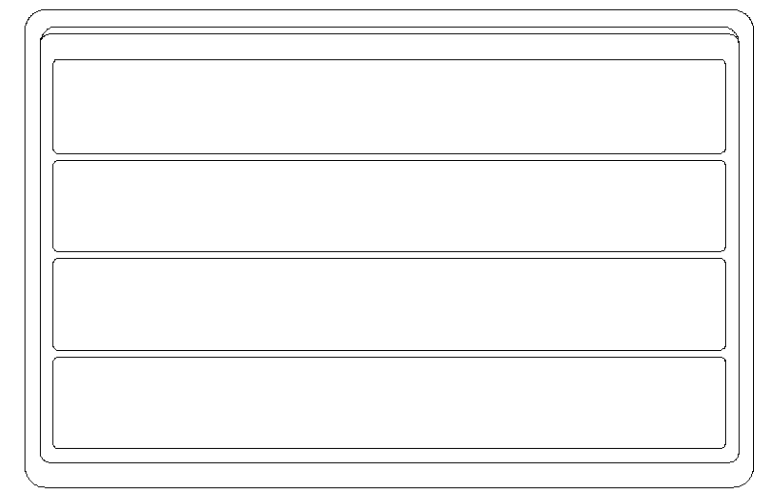


SHIPPING BOX

NOTE :

- 1. DIMENSION :
 TRAY : L=310, W=215, H=30
 SHIPPING BOX : L=335, W=230, H=280
- 2. QUANTITY:

| | | | | |
|-------------|-----|-------|-------|-------|
| PIN NO. | 9-9 | 15-15 | 25-25 | 37-37 |
| PCS/TRAY | 36 | 28 | 20 | 16 |
| TRAY/CARTON | 10 | 10 | 10 | 10 |
| PCS/CARTON | 360 | 280 | 200 | 160 |



TRAY LAYOUT

| | | | | |
|-----|-----------------|-----|------------|------|
| | | | | |
| | | | | |
| | SEE SHEET 1 | | | |
| LTR | REVISION RECORD | ECN | DWN CHK | DATE |

| | | | | | |
|--|---|------------------|---|-------------------------------------|--------|
| TOLERANCES UNLESS OTHERWISE SPECIFIED: | | DWN | A. WU | tyco TYCO HOLDINGS (BERMUDA) | |
| 0 PLC | ± | | 16-DEC-2002 | VII LTD. TAIWAN BRANCH | |
| 1 PLC | ± | CHK | J. CHENG | NAME | |
| 2 PLC | ± | | 16-DEC-2002 | D-SUB STACKED RCPT | |
| 3 PLC | ± | APVD | J. WU | OVER RCPT, R/A TYPE, | |
| ANGLES | ± | | 16-DEC-2002 | THREAD INSERTS | |
| MATERIAL | - | PRODUCT SPEC | LOC SIZE DRAWING NO REV DW A ₃ C-440397 C | | |
| FINISH | - | APPLICATION SPEC | | | |
| | | WEIGHT | SCALE | | SHEET |
| | | | -- | | 3 OF 3 |

8

7

6

5

4

3

2

1

D

C

B

A