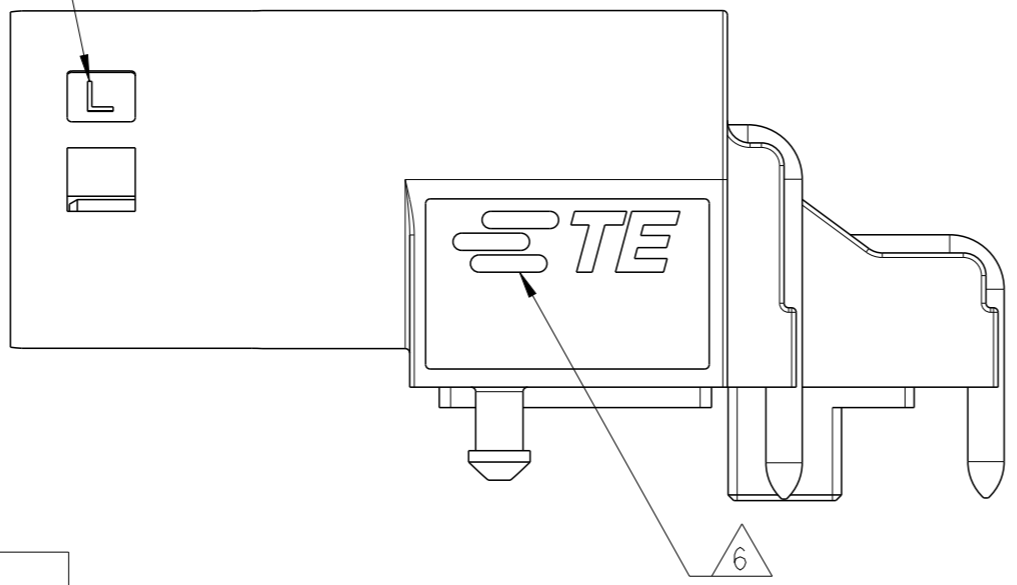
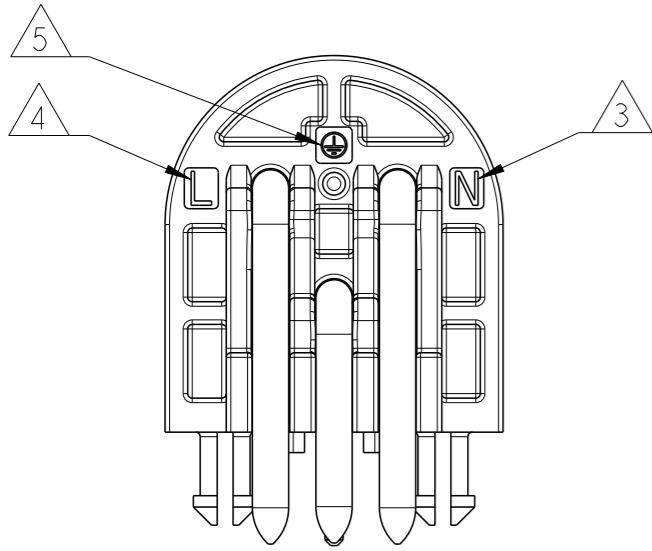
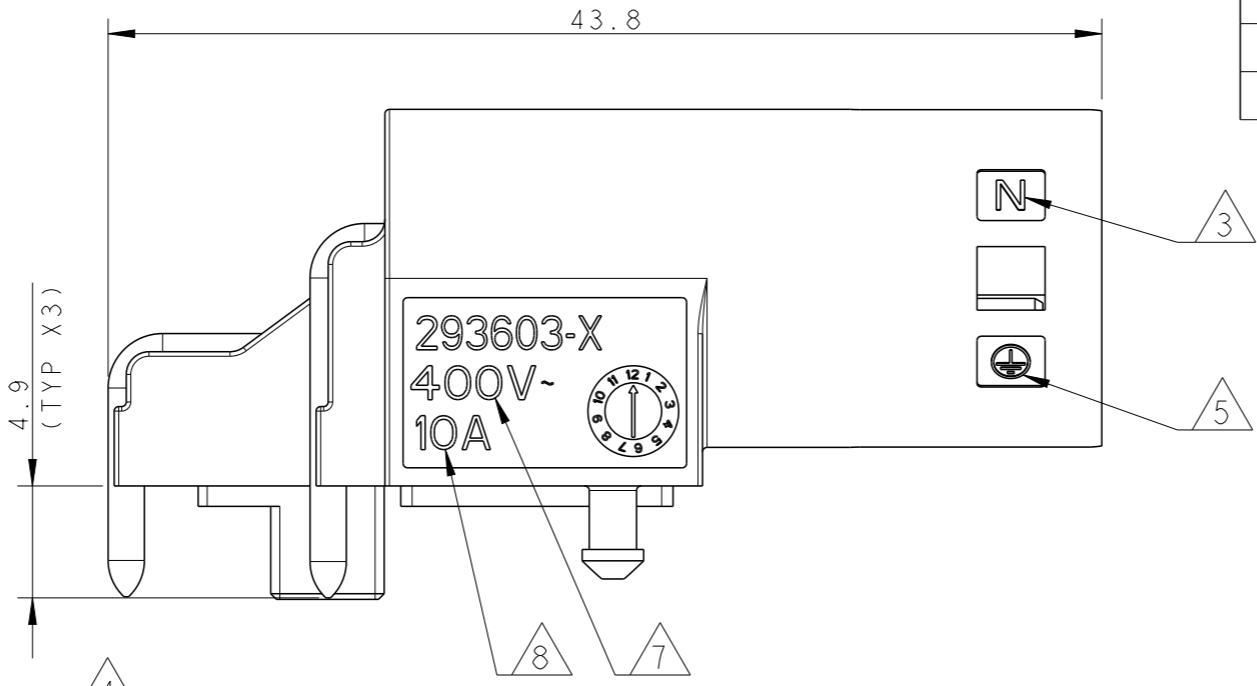
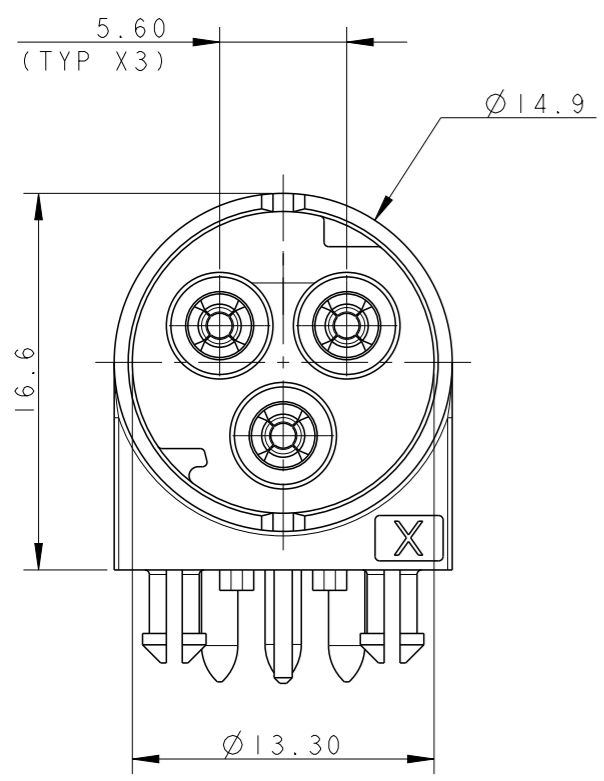


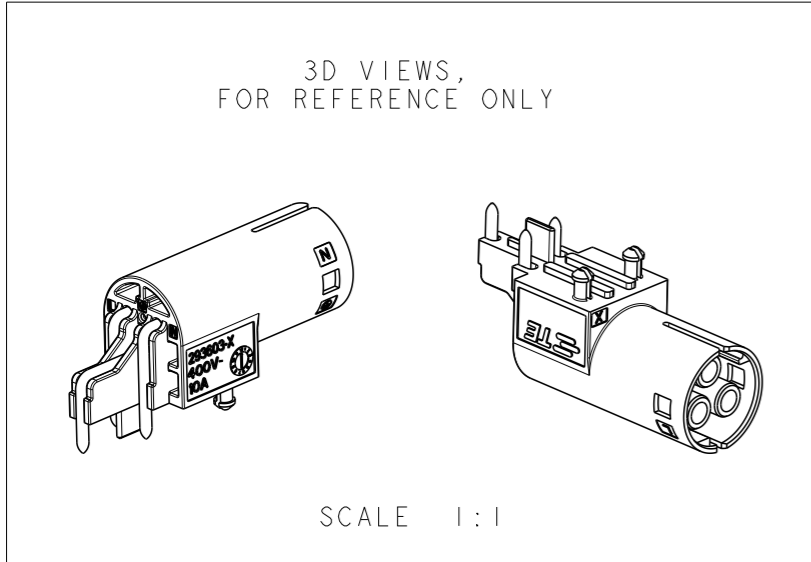
THIS DRAWING IS UNPUBLISHED. RELEASED FOR PUBLICATION 2011
© COPYRIGHT 2011 BY - ALL RIGHTS RESERVED.

LOC	DIST	REVISIONS					
		P	LTR	DESCRIPTION	DATE	DWN	APVD
1	-	E		UPDATED	04FEB2010	MZ	GT
		F		PARTS -1, -2, -3 RELEASED FOR PRODUCTION	27JUN2013	KR	JC



- NOTES:
- 1) MATERIAL: POLYAMIDE GLASS FILLED COLOUR NATURAL
 - 2) PACKAGING: SEE TE PACKAGING SPECIFICATION 107-20294
 - △3 N CODE
 - △4 L CODE
 - △5 PE CODE
 - △6 TE LOGO
 - △7 RATED VOLTAGE
 - △8 RATED CURRENT
 - △9 PART NOT YET RELEASED FOR PRODUCTION

NOTE	COLOUR	POL. KEYING	DESCRIPTION	REV.	PART NUMBER
△9	NATURAL	F	PIN CONNECTOR PCB STRAIGHT NECTOR* M-LINE	E	293605-6
△9	NATURAL	E	PIN CONNECTOR PCB STRAIGHT NECTOR* M-LINE	E	293605-5
△9	NATURAL	D	PIN CONNECTOR PCB STRAIGHT NECTOR* M-LINE	E	293605-4
	NATURAL	C	PIN CONNECTOR PCB STRAIGHT NECTOR* M-LINE	F	293605-3
	NATURAL	B	PIN CONNECTOR PCB STRAIGHT NECTOR* M-LINE	F	293605-2
	NATURAL	A	PIN CONNECTOR PCB STRAIGHT NECTOR* M-LINE	F	293605-1



THIS DRAWING IS A CONTROLLED DOCUMENT.

DIMENSIONS: mm	TOLERANCES UNLESS OTHERWISE SPECIFIED:	DWN M. ZUCCA 30OCT2009	 TE Connectivity	NAME SOCKET CONNECTOR PCB STRAIGHT VERSION NECTOR* M-LINE
	0 PLC ±-	CHK M. ZUCCA 30OCT2009		
	1 PLC ±0.3	APVD G. TURCO 30OCT2009		
	2 PLC ±0.20	PRODUCT SPEC 108-20304		
MATERIAL -	FINISH -	APPLICATION SPEC 114-20152	SIZE A3	CAGE CODE 00779
		WEIGHT -	DRAWING NO C-293605	RESTRICTED TO -

Customer Drawing SCALE 3:1 SHEET 1 OF 3 REV F

THIS DRAWING IS UNPUBLISHED.

RELEASED FOR PUBLICATION

2011

© COPYRIGHT 2011 BY -

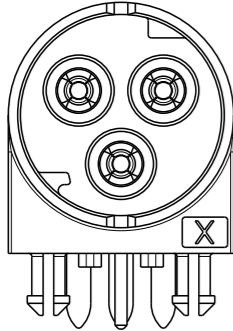
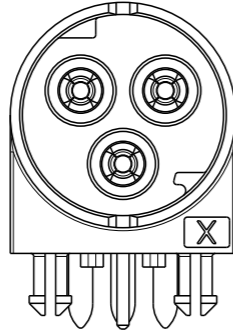
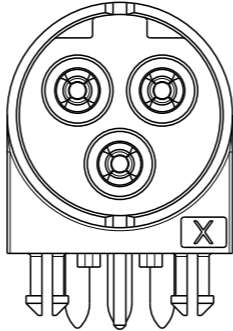
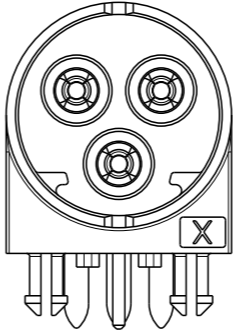
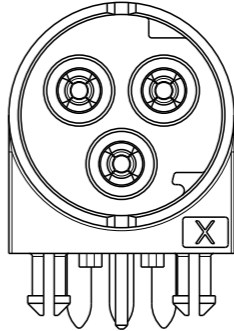
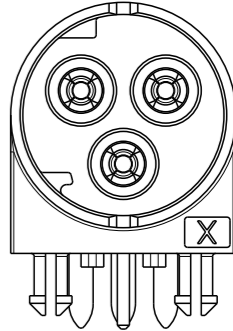
ALL RIGHTS RESERVED.

LOC	DIST
1	-

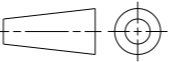
REVISIONS

P	LTR	DESCRIPTION	DATE	DWN	APVD
-	-	SEE SHEET 1	-	-	-

POLARIZATION KEYS

TYPE "A"	TYPE "B"	TYPE "C"	TYPE "D"	TYPE "E"	TYPE "F"
P/N 293605-1 AS SHOWN	P/N 293605-2 AS SHOWN	P/N 293605-3 AS SHOWN	P/N 293605-4 AS SHOWN	P/N 293605-5 AS SHOWN	P/N 293605-6 AS SHOWN
					

THIS DRAWING IS A CONTROLLED DOCUMENT.

DIMENSIONS: mm	
MATERIAL	-

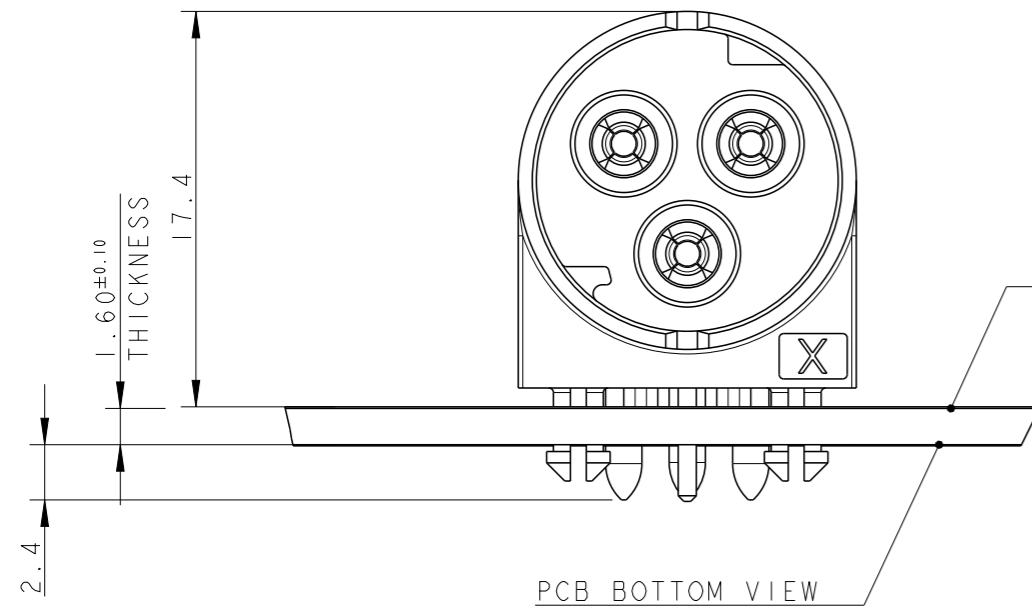
TOLERANCES UNLESS OTHERWISE SPECIFIED:	0 PLC ±-
	1 PLC ±0.3
	2 PLC ±0.20
	3 PLC ±-
	4 PLC ±-
ANGLES	±3°
FINISH	-

DWN	M. ZUCCA	30OCT2009
CHK	M. ZUCCA	30OCT2009
APVD	G. TURCO	30OCT2009
PRODUCT SPEC	108-20304	
APPLICATION SPEC	114-20152	
WEIGHT	-	

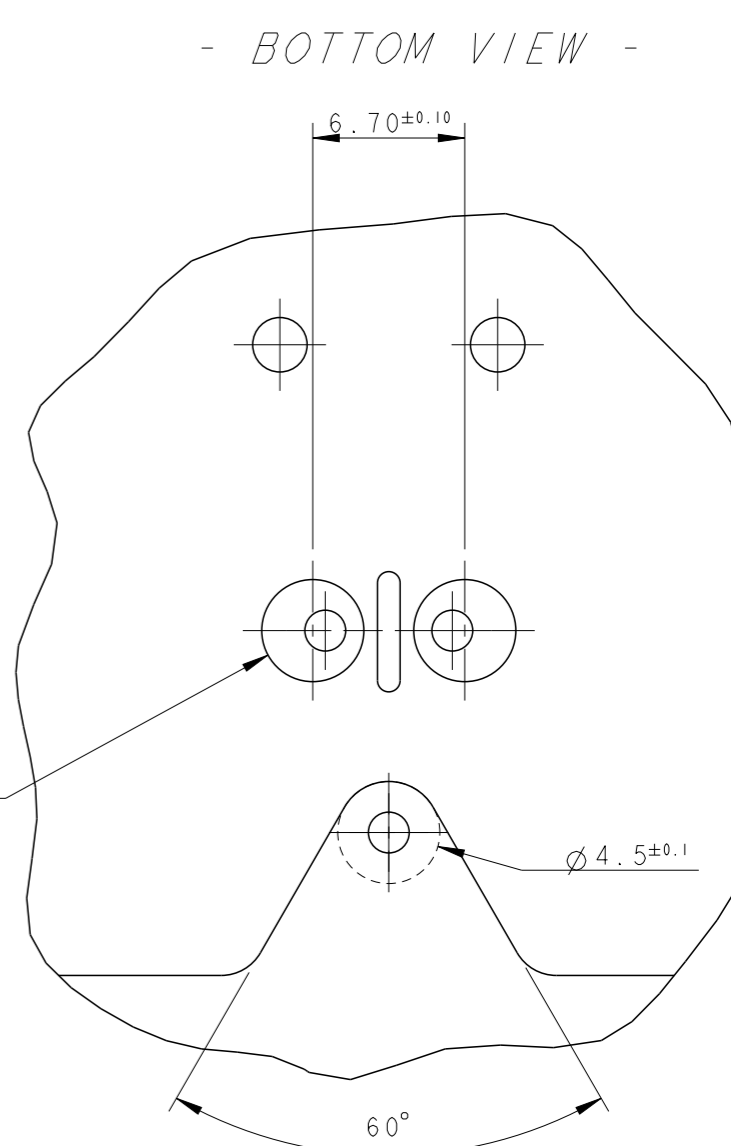
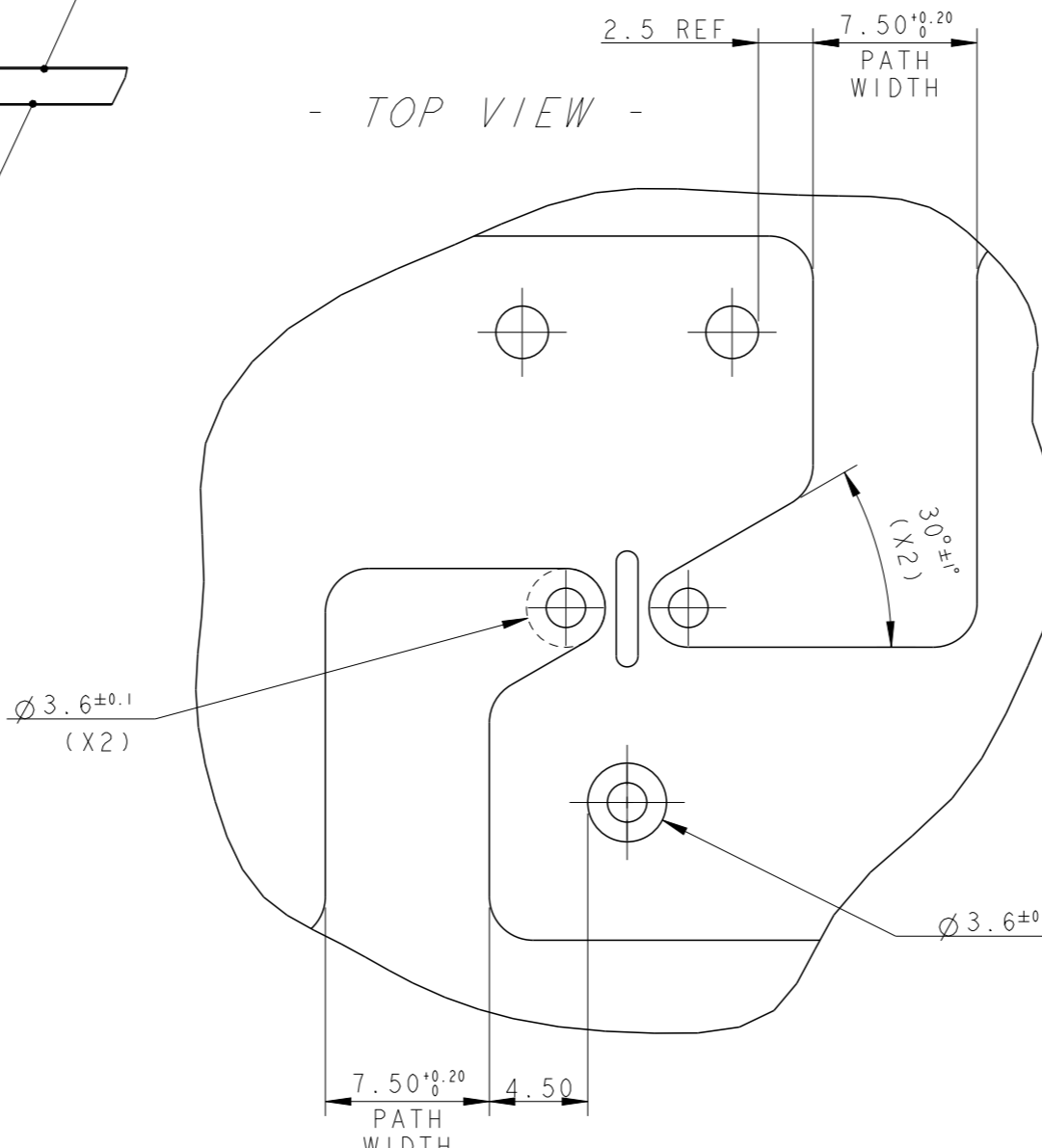
 TE Connectivity			
NAME SOCKET CONNECTOR PCB STRAIGHT VERSION NECTOR* M-LINE			
SIZE	CAGE CODE	DRAWING NO	RESTRICTED TO
A3	00779	C-293605	-

THIS DRAWING IS UNPUBLISHED. RELEASED FOR PUBLICATION 2011
 © COPYRIGHT 2011 BY - ALL RIGHTS RESERVED.

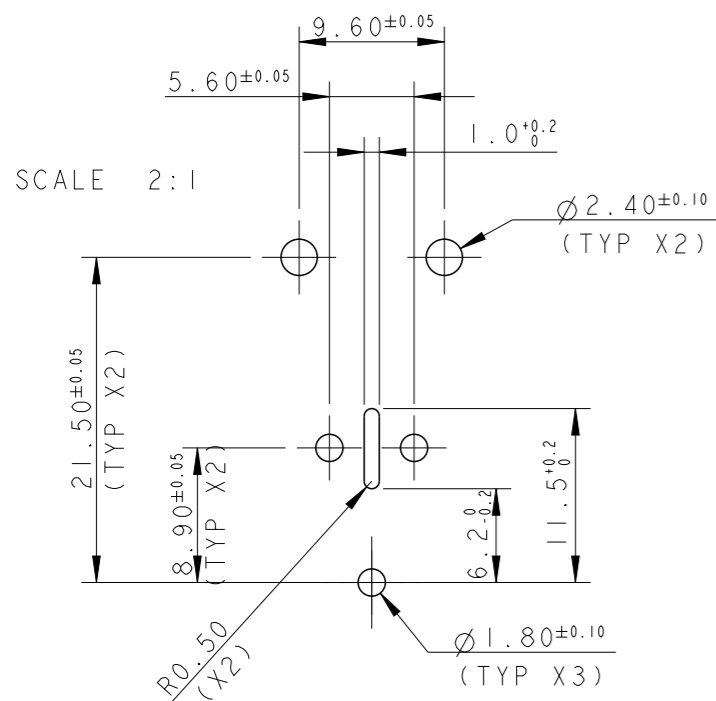
LOC	DIST	REVISIONS					
		P	LTR	DESCRIPTION	DATE	DWN	APVD
1	-	-	-	SEE SHEET 1	-	-	-



SUGGESTED L, N AND PE TRACKS LAYOUT ON PCB



SUGGESTED PCB LAYOUT CUT-OUT



THIS DRAWING IS A CONTROLLED DOCUMENT.

DIMENSIONS:	TOLERANCES UNLESS OTHERWISE SPECIFIED:
mm	0 PLC ±-
	1 PLC ±0.3
	2 PLC ±0.20
	3 PLC ±-
	4 PLC ±-
MATERIAL -	ANGLES ±3°
	FINISH -

DWN	M. ZUCCA	30OCT2009
CHK	M. ZUCCA	30OCT2009
APVD	G. TURCO	30OCT2009
PRODUCT SPEC	108-20304	
APPLICATION SPEC	114-20152	
WEIGHT	-	

TE Connectivity		NAME	
		SOCKET CONNECTOR PCB STRAIGHT VERSION NECTOR* M-LINE	
SIZE	CAGE CODE	DRAWING NO	RESTRICTED TO
A3	00779	C-293605	-