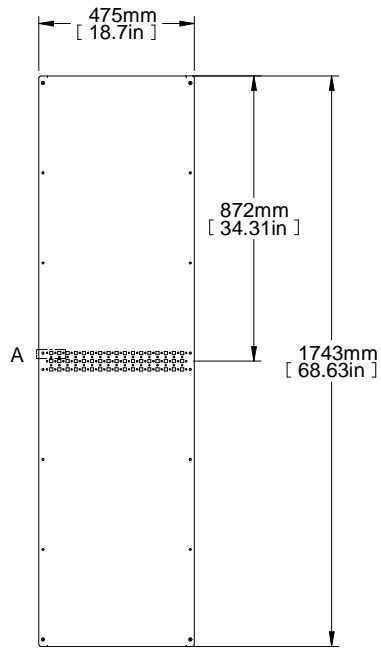
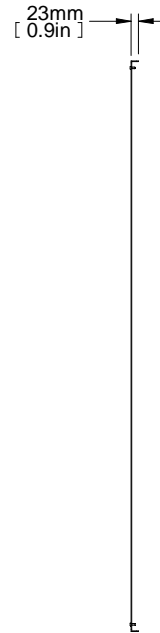


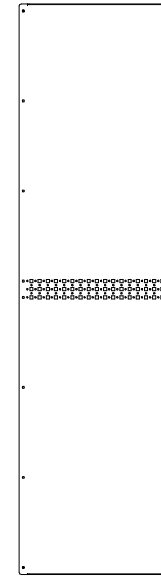
TOP VIEW



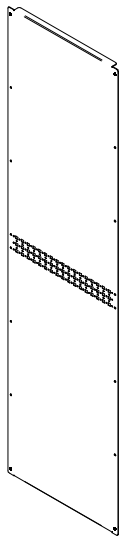
FRONT VIEW



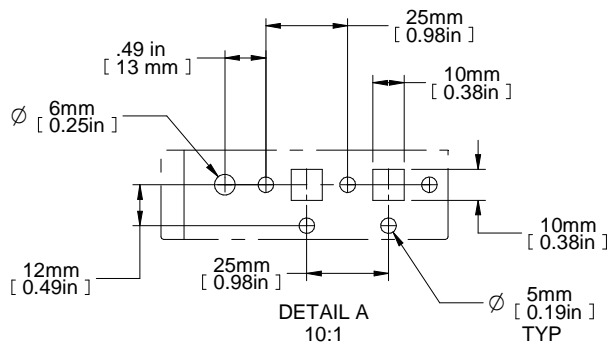
R.S. SIDE VIEW



REAR VIEW




ISOMETRIC



DETAIL A
10:1

Ø 5mm
[0.19in]
TYP

PART NUMBERS	
HSIP206	14 GAUGE GALVANIZED STEEL
NOTES	
Unpainted.	
Allows installation of 19" mounting rails including center support.	
See Hammond Website for Additional Accessories.	
Français	
Pour tous les détails sur nos produits, svp veuillez consulter notre site www.hammondmfg.com .	
Data subject to change without notice. Isometric drawing not to scale.	
Les données sont sujettes à changement sans préavis.	
	HAMMOND MANUFACTURING® www.hammondmfg.com
PART NO.	HSIP206