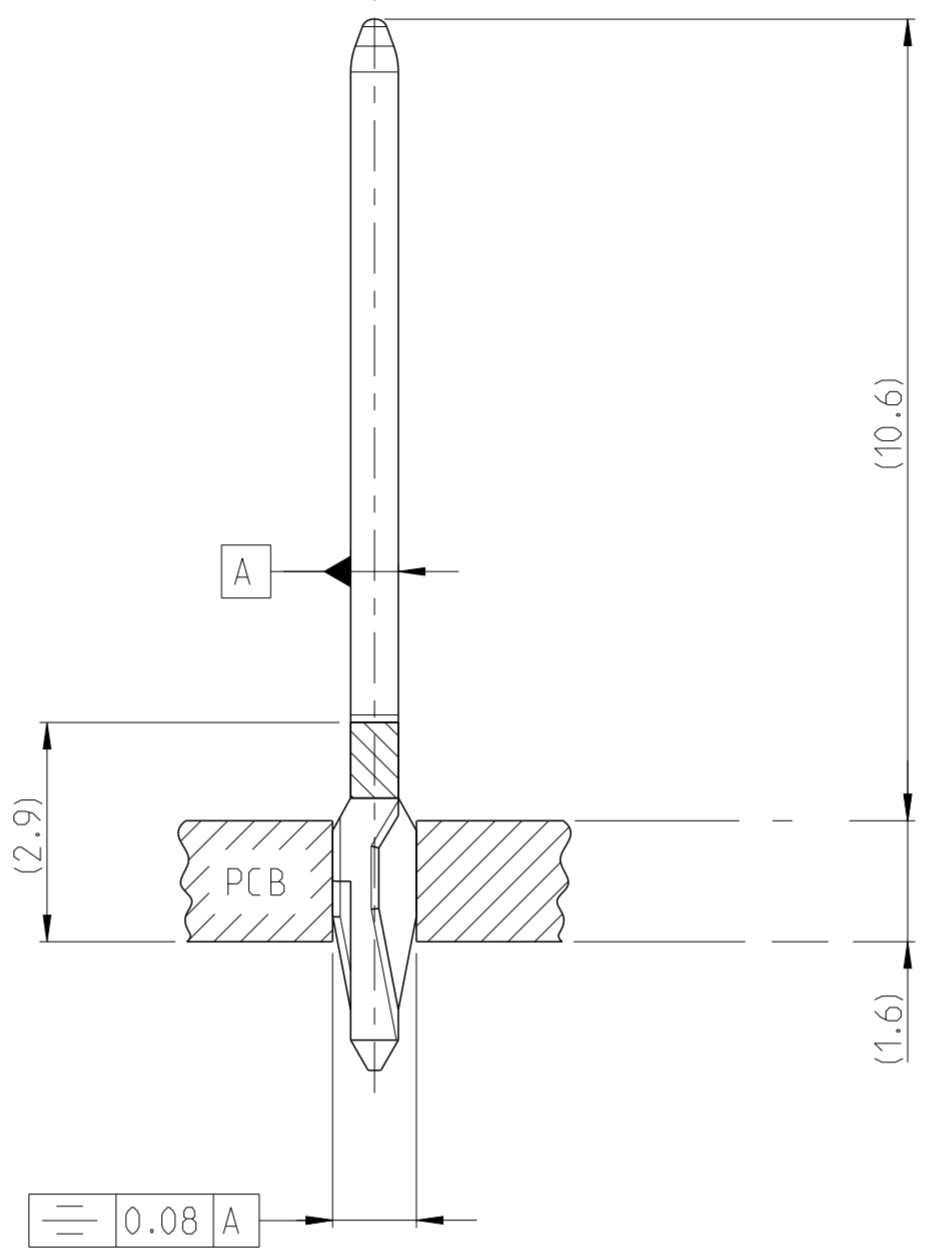
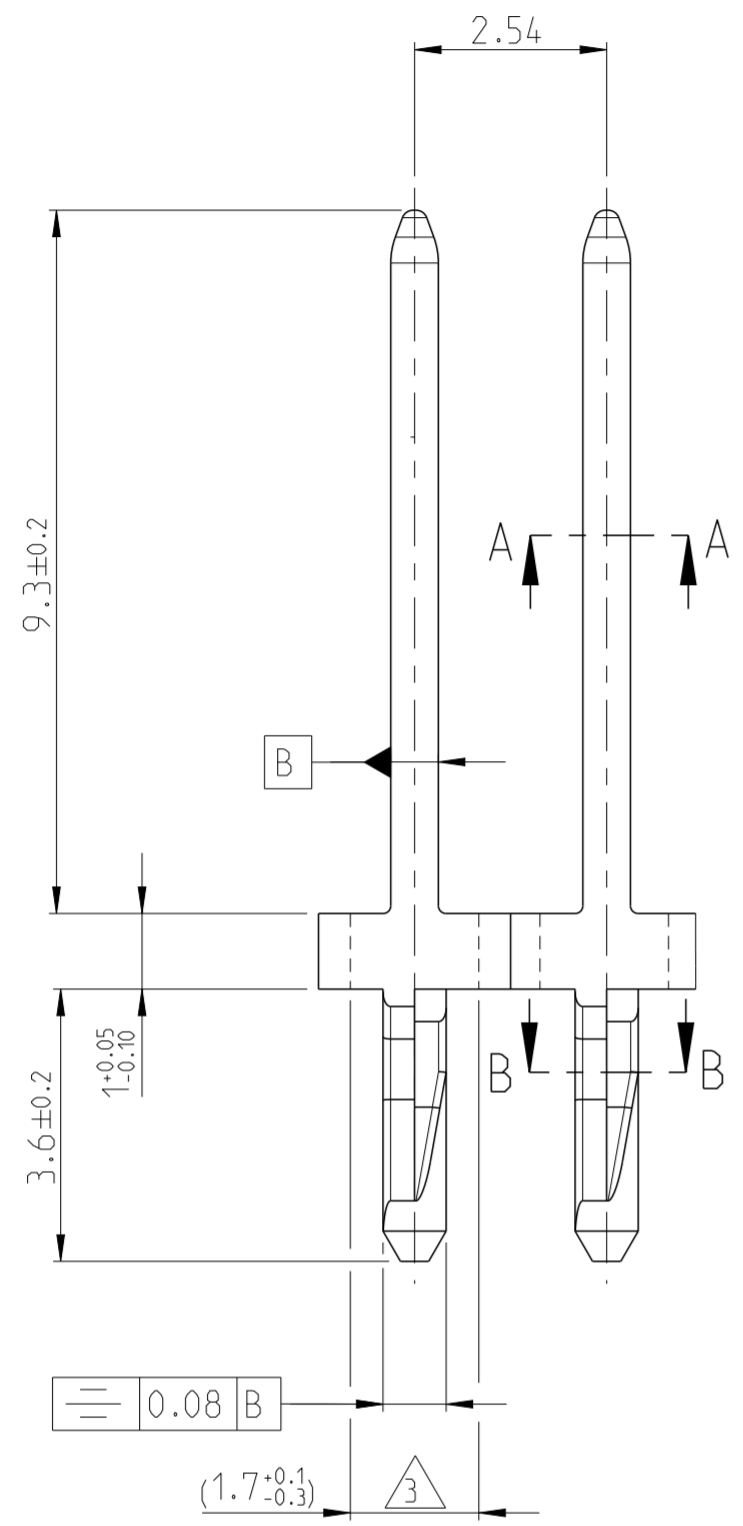


THIS DRAWING IS UNPUBLISHED
 RELEASED FOR PUBLICATION 2013
 ALL RIGHTS RESERVED.

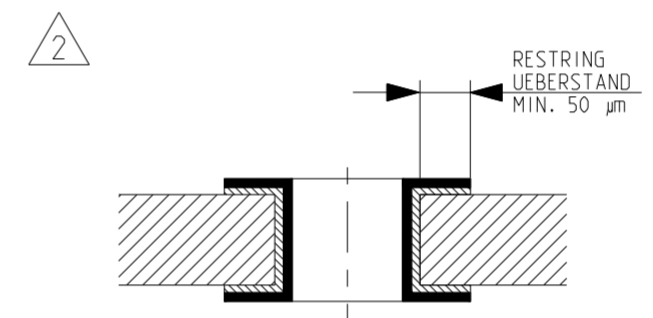
LOC	DIST	REVISIONS			
P	LTR	DESCRIPTION	DATE	DWN	APVD
IR	-	A	INITIAL RELEASE	18JAN2013	PKS RRP

PCB-LAYOUT
Leiterplatten-Layout



NOTES:
BEMERKUNGEN:

1 1 µm - 3 µm Sn OVER Ni
 1 µm - 3 µm Sn ueber Ni



PLATED THROUGH HOLE SPECIFICATION Spezifikation fuer durchplatierte Bohrungen	
Cu THICKNESS Kupferschichtdicke	25-50 µm
Sn THICKNESS Zinnschichtdicke	4-15 µm
DRILLED HOLE Ø1.15±0.025 Bohrloch-Ø1.15±0.025	FINISHED HOLE Ø0.94 ^{+0.15} _{-0.15} plattierter Loch-Ø0.94 ^{+0.15} _{-0.15}

3 DIMENSION OF LOOSE PIESE
Mass fuer Einzelteil

4 TO BE REELED ON PLASTIC REEL WITH INTERLEAVING PAPER
Kunststoffspulen mit Zwischenlagenpapier

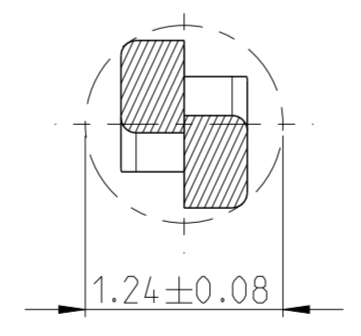
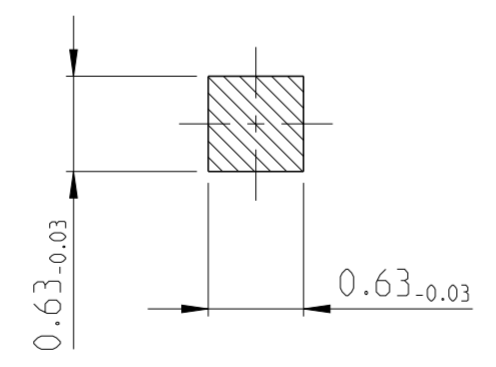
5 PACKAGING QUANTITY: 45K PCS PER REEL

0.08 B

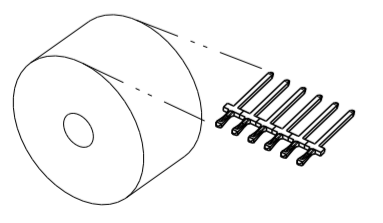
0.08 A

A-A
20:1

B-B
20:1



DIRECTION OFF
TOP OF REEL



TOLERANCES UNLESS OTHERWISE SPECIFIED ACC. TO DIN 16901-140 CENTRIC TO NOMINAL DIMENSION. EDITION 1982-11 SHALL APPLY. Freimass toleranzen nach DIN 16901-140. Es gilt die Ausgabe 1982-11.		DWN Senthil 18JAN2013	
THIS DRAWING IS A CONTROLLED DOCUMENT.		CHK RAJESH 18JAN2013	
DIMENSIONS: mm		APVD RAJENDRA 18JAN2013	
TOLERANCES UNLESS OTHERWISE SPECIFIED:		PRODUCT SPEC	
0 PLC ±	1 PLC ±	108-18643	
2 PLC ±	3 PLC ±	APPLICATION SPEC	
4 PLC ±	ANGLES ±	114-18279	
MATERIAL	FINISH	WEIGHT	-
-		Customer Drawing	



NAME			
MQS-PIN WITH ACTION PIN MQS-Stift mit ACTION-PIN			
SIZE	CAGE CODE	DRAWING NO	RESTRICTED TO
A2	00779	C-2178527	-
SCALE 5:1		SHEET 1 OF 1	REV A

2178527-2	CuNiSi	1	4
PART NO.	MATERIAL	SURFACE	REELPACKING