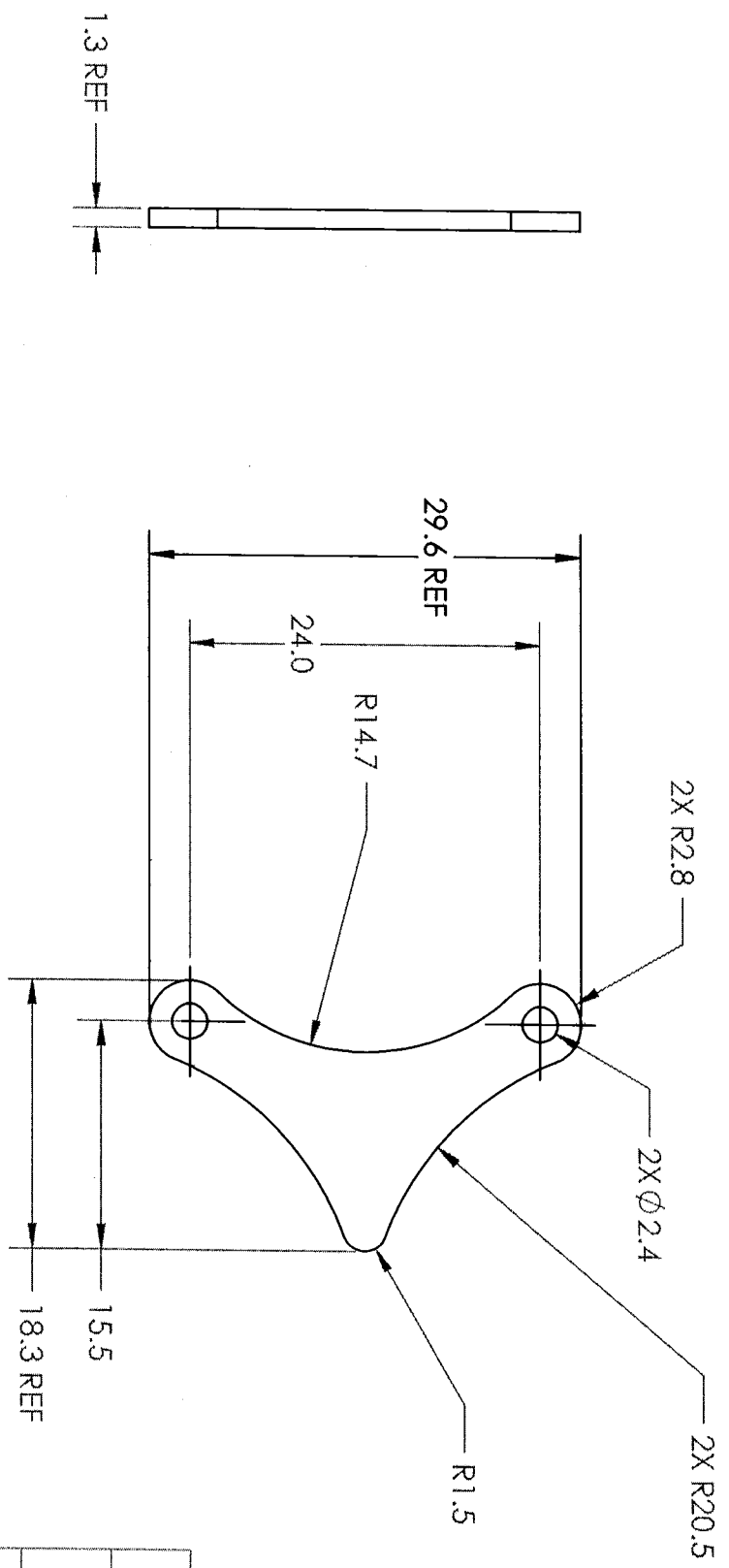


REV. #		ECO NUMBER	DESCRIPTION	DATE
A		C030586	INITIAL RELEASE	03.09.11

REVISIONS

- NOTES:
1. FOR COMPLETE DOCUMENTATION AND DIMENSIONS REFER TO THE 3D DATABASE
 2. MATERIAL SPECIFICATION: 16 GA ALUMINUM
 3. REMOVE BURRS AND BREAK ALL SHARP EDGES
 4. DO NOT SCALE DRAWING



ENG	DATE
NWR	09.11.09
CHECK	DATE
KAG	09.11.09
MGR	DATE
PMH	09.11.09
MANF	DATE



411 WASHINGTON AVE. SUITE 400 MINNEAPOLIS, MN 55401
 T: 612.672.9495 F: 612.672.9489 I: WWW.LOGICPD.COM

SIZE	TITLE	REV
A	CLIP, SOM RETENTION PLATE	A
SCALE	DWG NO	SHEET
2:1	LPD-SOM-CLIP1	1 OF 1

THIS DRAWING PREPARED IN ACCORDANCE WITH ASME Y14.5-2000

ALL DIMENSIONS ARE IN MILLIMETERS UNLESS OTHERWISE SPECIFIED

TOLERANCES UNLESS OTHERWISE SPECIFIED

X	±0.5
XX	±0.2
XXX	±0.1
X°	±1°

THIRD ANGLE PROJECTION