



**Mallory Sonalert Products, Inc.**

Part #:

**SC628D-1R**

**Sales Outline Drawing**

Revision:

**C**

**Specifications:**

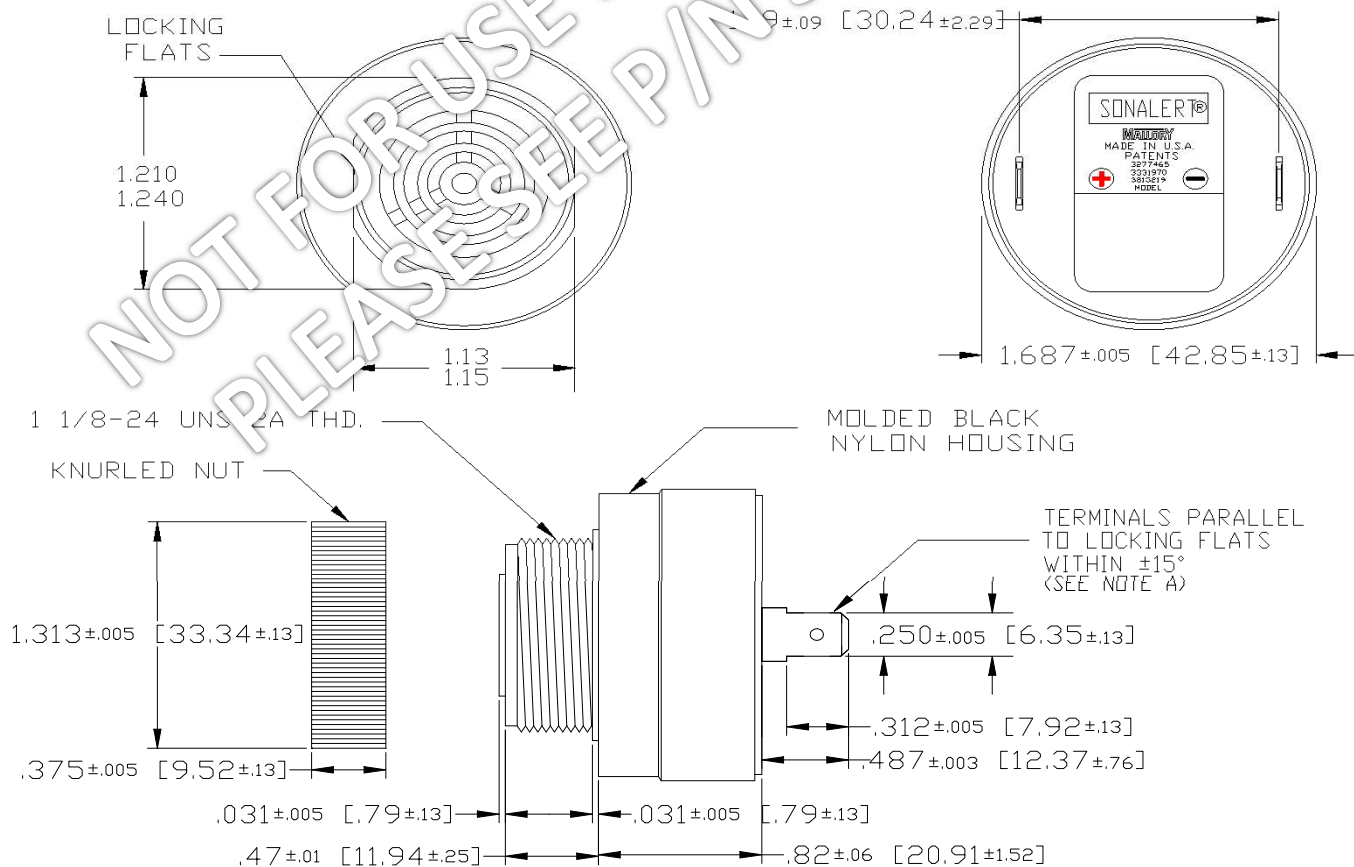
**Not for use in new designs - see P/N SC628D-BTR**

Sound Level Category	Medium
Mode of Operation	Continuous
Voltage Rating	6 to 28 VDC
Frequency	2000 ± 500 Hz
Loudness @ 2 FT	67 to 80 dB(A) Typ
Current Draw	5-18mA
Housing Material	6/6 Nylon, Color: Black
Storage Temperature	-40° to +50° C
Operating Temperature	-30° to +60° C
Panel Mounting	Recommended hole size is 1.25"(31.75mm). Thread from front with standard 30mm(1.181") hole.
Knurled Nut	Used to attach part to panel. The max recommended torque is 10 in-lbs.
Weight (Typical)	1.6 oz (45g)
NEMA 3R, 4X, & 12	Approved with use of MCC03.
Options	Please contact factory.

**Dimensions:**

Inches (mm)

**ROHS Compliant**



MOUNTING: REMOVE BLACK PLASTIC NUT AND INSERT THREADED FRONT THROUGH 1.25" HOLE PUNCHED IN PANEL, IF ORIENTATION IS NEEDED, NOTE LOCKING FLATS ON DRAWING. SCREW NUT BACK ON. DO NOT OVERTIGHTEN.