

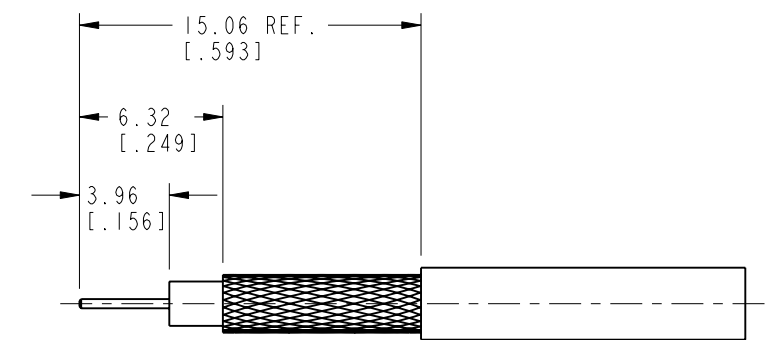
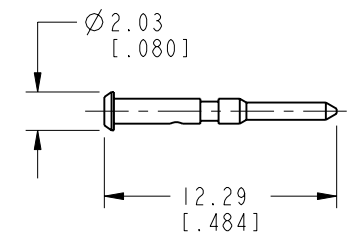
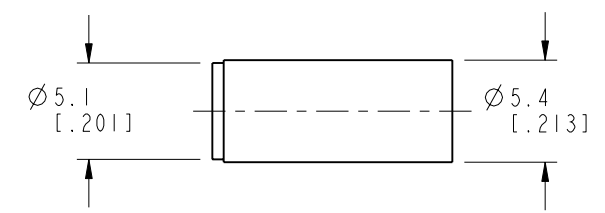
NOTES:

1. MATERIALS AND FINISHES:
 OUTER CONTACT- PHOSPHOR BRONZE, NICKEL PLATING (.0001 THICK)
 FRONT BODY - ZINC ALLOY, NICKEL PLATING (.00015 THICK)
 CRIMP CONTACT - BRASS, GOLD PLATING (.00003 THICK)
 INSULATOR - PTFE
2. ELECTRICAL:
 A. IMPEDANCE: 75 OHM
 B. FREQUENCY RANGE: DC - 3 GHz
 C. VSWR(RETURN LOSS): 1.10 UP TO 2 GHz, 1.16 UP TO 3 GHz
 D. DIELECTRIC WITHSTANDING VOLTAGE: 1500 VRMS, MIN.
 E. WORKING VOLTAGE: 500 VAC PEAK
3. MECHANICAL:
 A. DURABILITY: 500 CYCLES MIN.
 B. TEMPERATURE RANGE: -40° C TO + 85° C
3. CRIMPED FERRULE
 HEX CRIMP SIZE .178"
4. CRIMPED CONTACT PIN
 SQ. CRIMP SIZE .042"
 OR A 8 PT CRIMPER AMPHENOL NUMBER 227-T1200

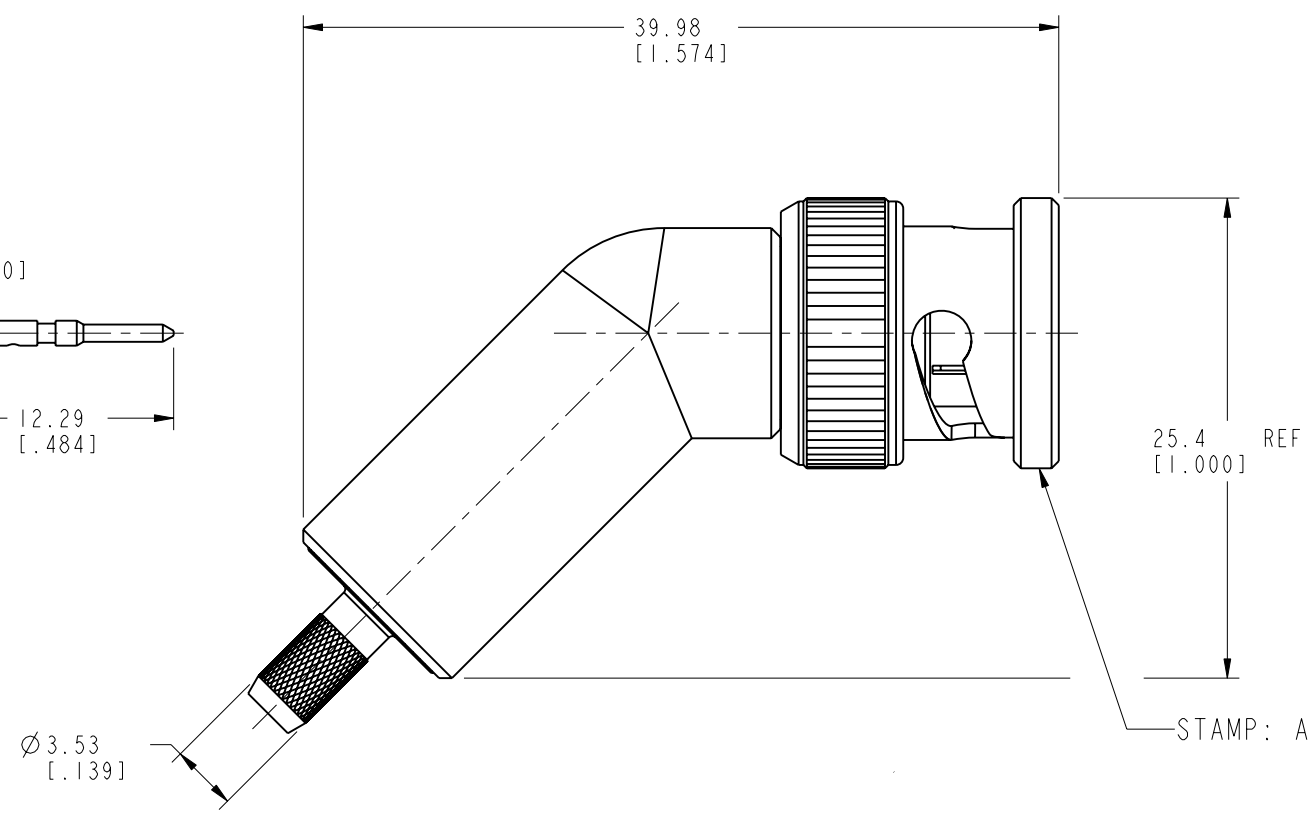
THIRD ANGLE PROJ.

REVISIONS

REV	DESCRIPTION	DATE	ECO	APPR
A	RELEASE TO MFG	8/17/06	46206	GSA
B	SEE SHEET 1	8/6/07	46681	TC
C	227-T1200 WAS CTL-T1200\RD-DM110704011	15-Jul-11	48649	DH
D	STAMP WAS CHANGED/ RD-DM110825011	07-Sep-11	48757	SCOTT



RECOMMENDED
CABLE STRIPPING DIMENSIONS



STAMP: APH 31-80405 WWYY

DATE CODE

CUSTOMER OUTLINE DRAWING
ALL OTHER SHEETS ARE FOR INTERNAL USE ONLY

UNLESS OTHERWISE SPECIFIED, DIMENSIONS ARE IN METRIC AND TOLERANCES ARE:
 <0.5mm ±0.05mm 0.5 - 6mm ±0.1mm 6 - 30mm ±0.2mm 30 - 120mm ±0.3mm ANGLES ±1°

NOTICE - These drawings, specifications, or other data (1) are, and remain the property of Amphenol corp. (2) must be returned upon request; and (3) are confidential and not to be disclosed to any person other than those to whom they are given by Amphenol Corp. the finishing of these drawings, specifications, or other data by Amphenol Corp., or to any other person to anyone for any purpose is not to be regarded by implication or otherwise in any manner licensing, granting rights to permitting such holder or any other person to manufacture, use or sell any product, process or design, patented or otherwise, that may in any way be related to or disclosed by said drawings, specifications, or other data.

MATERIAL	SEE NOTE
REFERENCE	EAR# 1674 AND
CONFIGURATION LEVEL:	
FINISH	

DRAWN	I.XU	DATE	26-Aug-11
ENGINEER	G.ANTONINI	DATE	21-Mar-05
APPROVED	S.HSIEH	DATE	05-Sep-11
CAD FILE	I:/BNC/31-80405-ASM		

TITLE	
BNC 45° ANGLE PLUG	
BNC, PLUG	
SCALE: 2.5:1.0	SHEET 2 OF 2
DWG SIZE	REV
B	D

Amphenol RF	
Danbury CT USA, Tainan, Taiwan, Shenzhen, China	
www.amphenolrf.com	
DRAWING NO.31-80405	
ITEM NO.31-80405	
PART NO.31-80405	