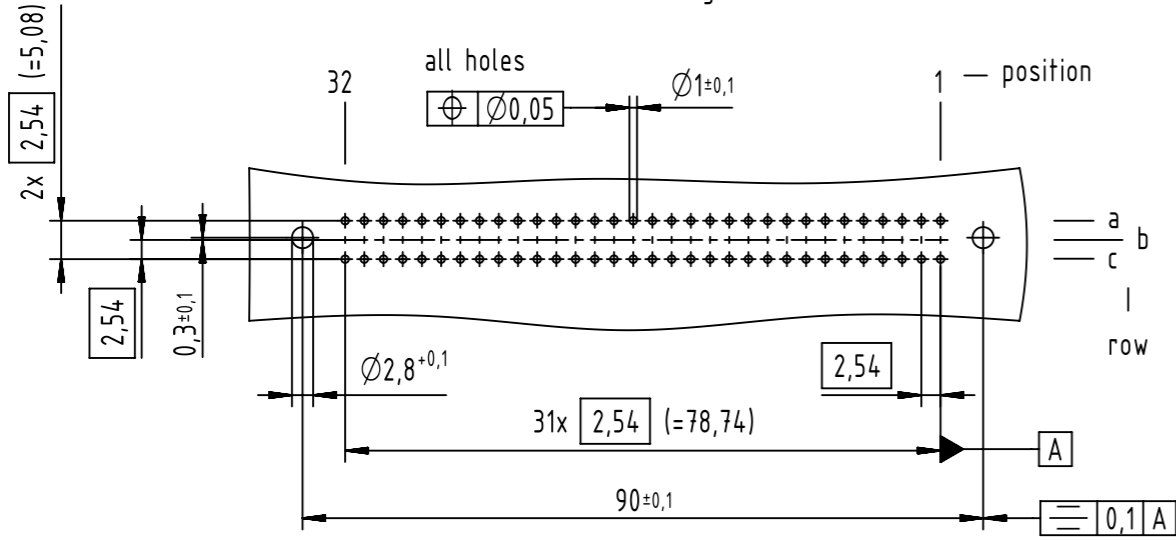


1 2 3 4 5 6 7 8

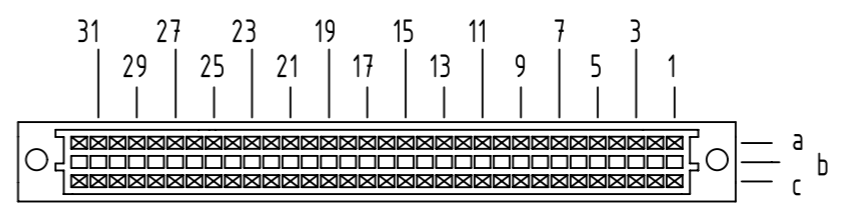
A  
B  
C  
D  
E  
F

A  
B  
C  
D  
E  
F

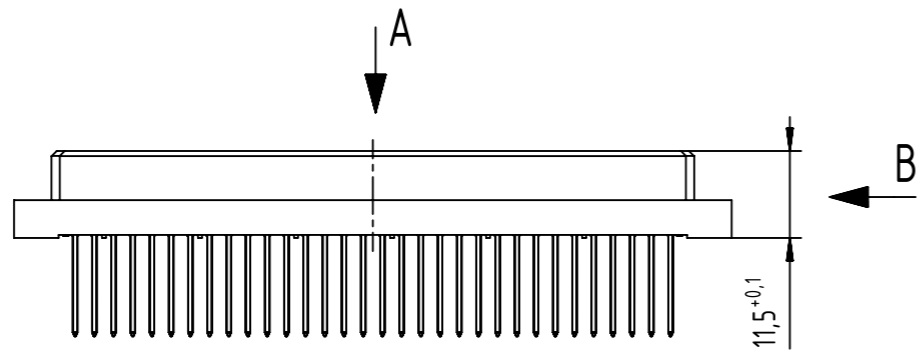
**A**  
board drillings



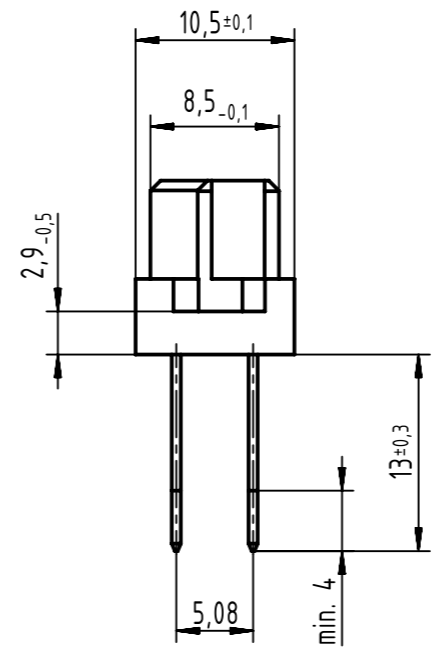
**A**  
contact arrangement



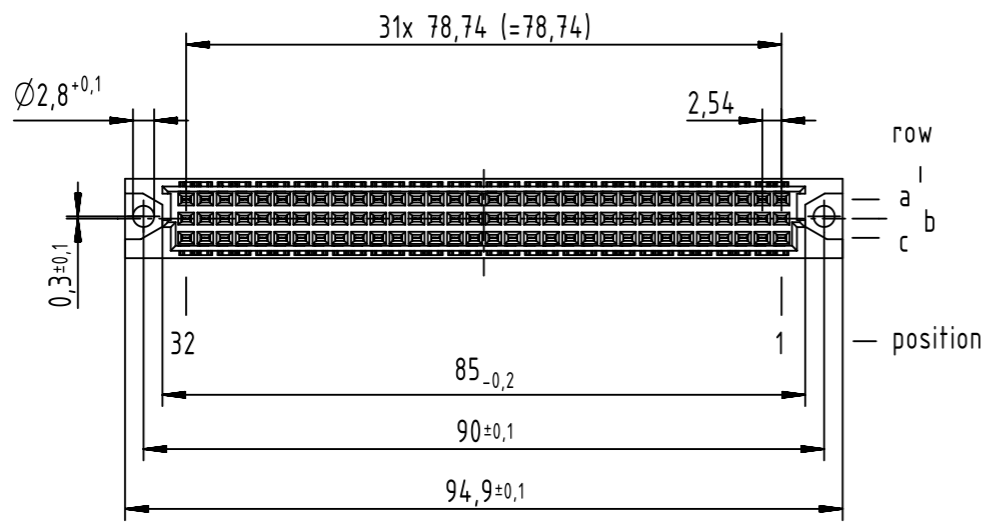
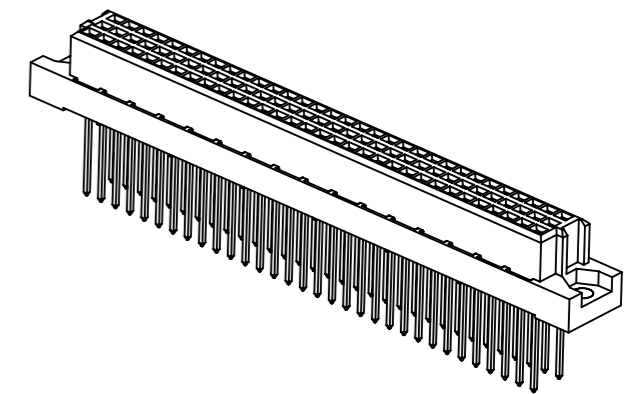
64 wire wrap contacts  
 ☒ = position with contact  
 □ = position without contact



**B (2:1)**



mating zone equal pl3



① further information see: DS 09032100005

09 03 264 6878	2
part-no.	performance level ①

	All Dimensions in mm Original Size DIN A3		Scale 1:1	Free size tol. IEC 60603-2	Ref. Sub. TB 09 03 264 X878 / Mod. 34650 / 27.08.2007	
	All rights reserved Department EC PD - DE		Created by HAGEMEYERE	Inspected by TADJE	Standardisation HOFFMANN	Date 2016-01-19
HARTING Electronics GmbH D-32339 Espelkamp		Title DIN Signal type C female WW 13, 64-pole rear I/O			Doc-Key / ECM-Nr. 100072232/UGD/081/C 50000099503	
		Type TB	Number 0903264X878		Rev. C	Page 1/1

1 2 3 4 5 6 7 8

A3