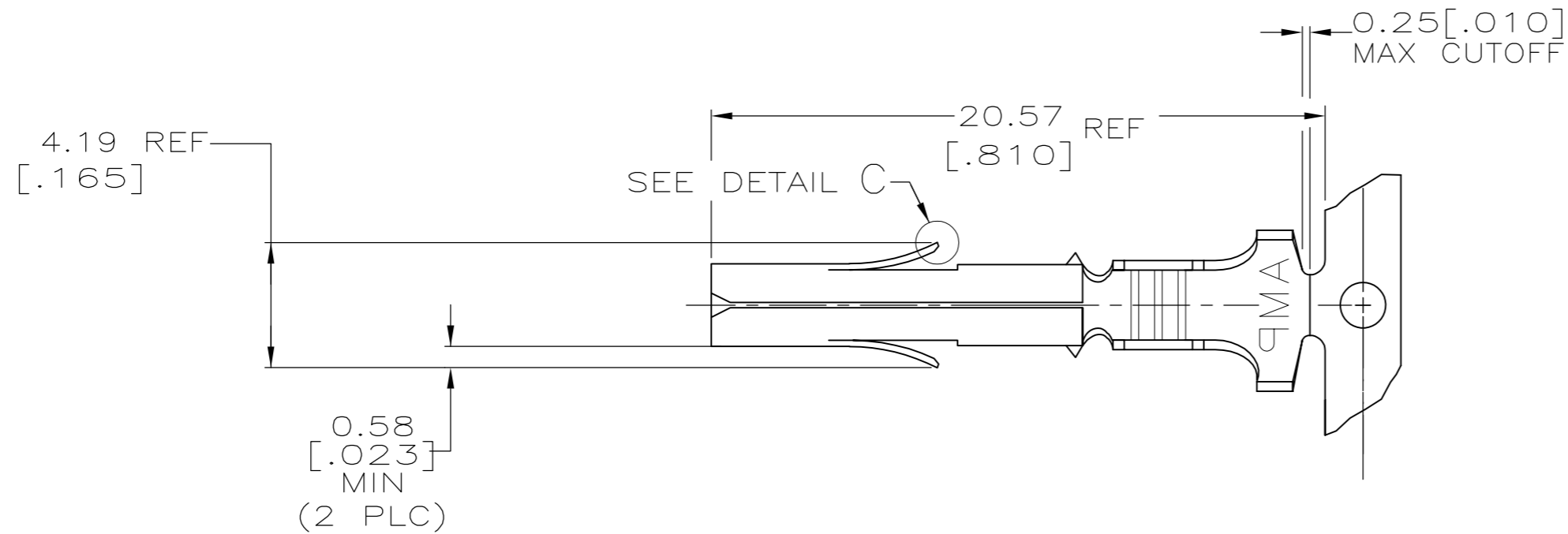
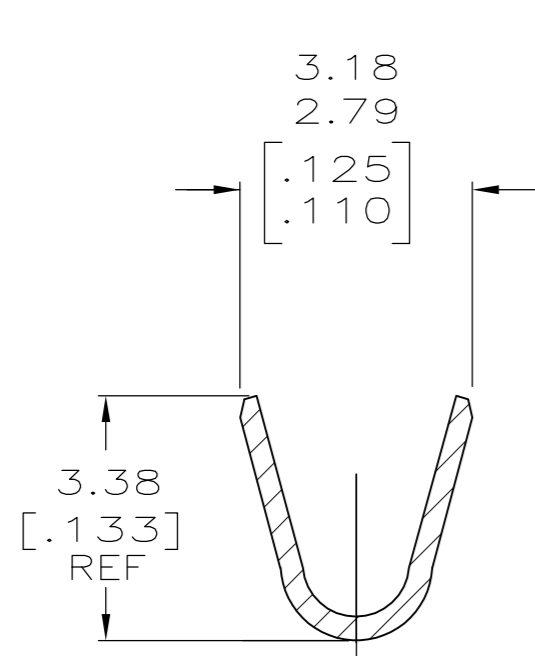
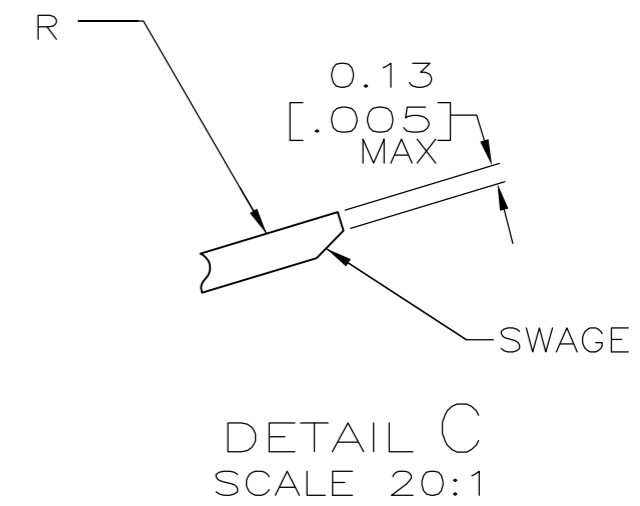
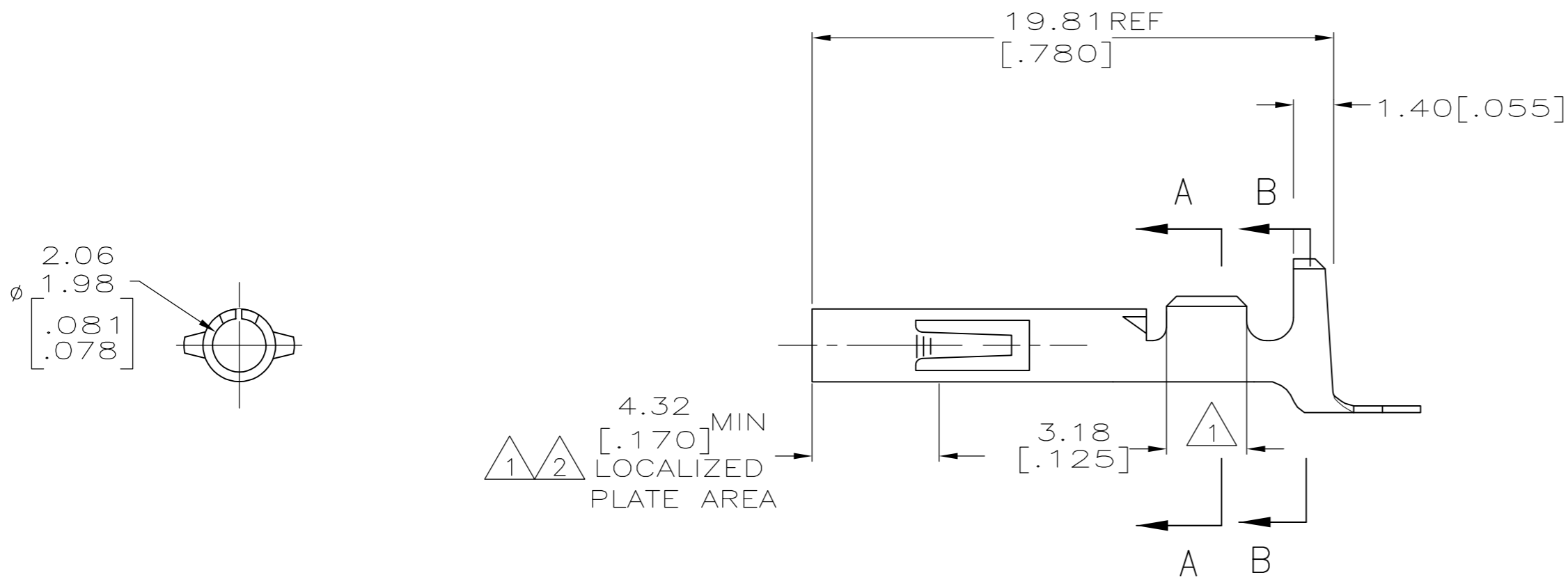


THIS DRAWING IS UNPUBLISHED. RELEASED FOR PUBLICATION  
 © COPYRIGHT - By - ALL RIGHTS RESERVED.

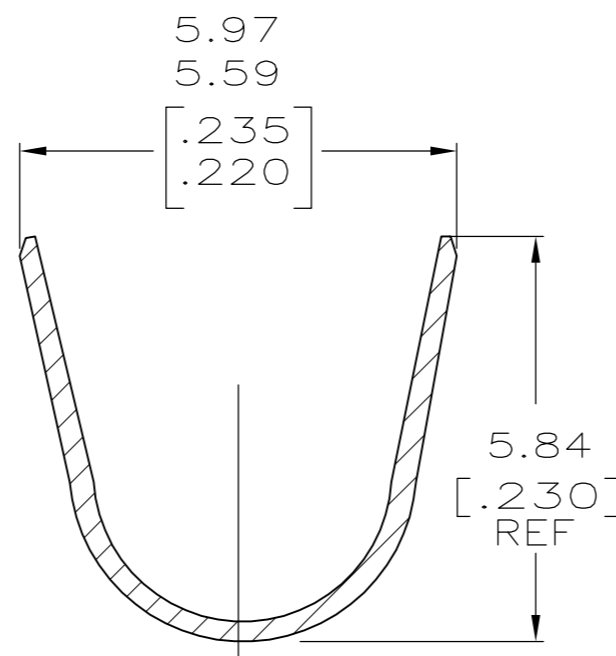
LOC		DIST		REVISIONS			
P	LTR	DESCRIPTION		DATE	DWN	APVD	
CM	53	AF	REVISED PER ECR-12-013323	09AUG12	KH	TM	



- 1 0.00076[.000030] THK GOLD OVER NICKEL ON INSIDE OF RECEPTACLE AND WIRE BARREL; REMAINDER OF CONTACT IS NICKEL PLATED.
- 2 0.00076[.000030] THK GOLD ON INSIDE OF RECEPTACLE; REMAINDER OF CONTACT IS NICKEL PLATED.
- 3 DIMENSIONS IN BRACKETS ARE IN INCHES.
- 4 PACKAGED AND SOLD IN PALLET LOADS ONLY. 44 REELS PER PALLET (110,000 CONTACTS).
- 5 LUBRICATED.
- 6 WIRE RANGE: 20-14 AWG  
INSULATION RANGE: 3.30-5.08 [.130-.200] DIA.



SECTION A-A  
SCALE 10:1



SECTION B-B  
SCALE 10:1

NOTE 5

ITEM	FINISH	MATERIAL	PART NO
350551-1	TIN	350537-1	1-350537-2
-	TIN	MAKE FROM 350537-1	1-350537-1
350551-7	GOLD 2	0.30 [.012] BRASS	350537-7
350551-6	GOLD 2	0.30 [.012] PH BZ	350537-6
350551-3	TIN	0.30 [.012] PH BZ	350537-3
350551-2	GOLD 1	0.30 [.012] BRASS	350537-2
350551-1	TIN	0.30 [.012] BRASS	350537-1
LOOSE PIECE (REF)	FINISH	MATERIAL	PART NO

THIS DRAWING IS A CONTROLLED DOCUMENT.		DWN K. SALMON 6-11-91	<b>TE</b> TE Connectivity	
DIMENSIONS: mm [INCHES]		CHK R. SWING 6-11-91		
TOLERANCES UNLESS OTHERWISE SPECIFIED:		APVD D. SELF 6-11-91	NAME SOCKET, UNIVERSAL MATE-N-LOK™	
0 PLC ± -		PRODUCT SPEC	SIZE A2	
1 PLC ± -		APPLICATION SPEC	CAGE CODE 00779	DRAWING NO C=350537
2 PLC ± -		WEIGHT	RESTRICTED TO	
3 PLC ± 0.13[.005]		CUSTOMER DRAWING	SCALE 1:1	SHEET 1 OF 1
4 PLC ± -			REV AF	
ANGLES ± -				
FINISH				