

NOTES:

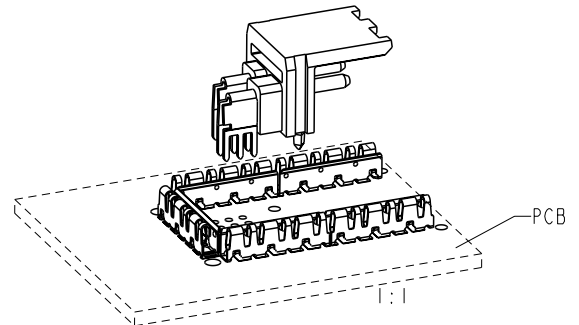
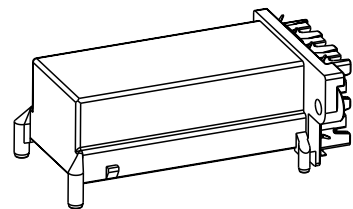
1. BODY MATERIAL: LIQUID CRYSTAL POLYMER 30% GLASS FLAME RETARDANT ACC. UL 94 V0
2. COVER MATERIAL: ZINC ALLOY
3. TERMINAL MATERIAL: TINBRONZE
4. GROUND SPRING MATERIAL: STAINLESS STEEL
5. CONTACT STRIP MATERIAL: STAINLESS STEEL
6. PCB THICKNESS: 1.8-2.4 mm.
7. PRODUCT MARKING: PART NUMBER & MANUFACT. DATE

8-ROHS INFORMATION:

-This product meets European Union Directives and other country regulations as described in GS-22-008.

-The housing will withstand exposure to 260°C peak temperature for 10 second in a wave solder application with a 1.6mm minimum thick circuit board. See Application notes/procedures if they are available.

-Packaging spec: see GS-14-920.



Copyright FCI.

rev	ecn no	dr	date
A	SW 8041	RNA	1998/03/20
B	SW 8087	SDc	1998/04/24
C	SW 9142	HCA	1999/11/24
D	SW 0019	JJA	2000/02/24
E	LS05-0080	JTA	2005/11/30
F	LS06-0143	LGO	2006/09/26
G	LS07-0255	JTA	2007/11/12

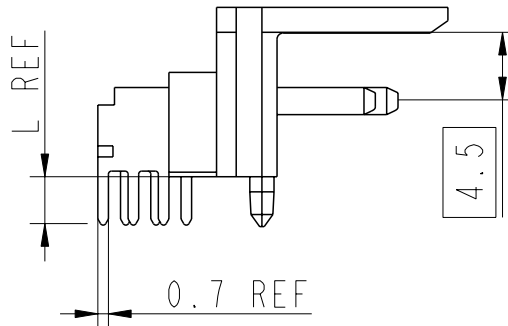
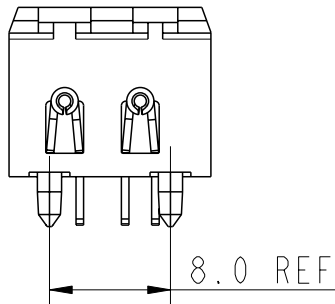
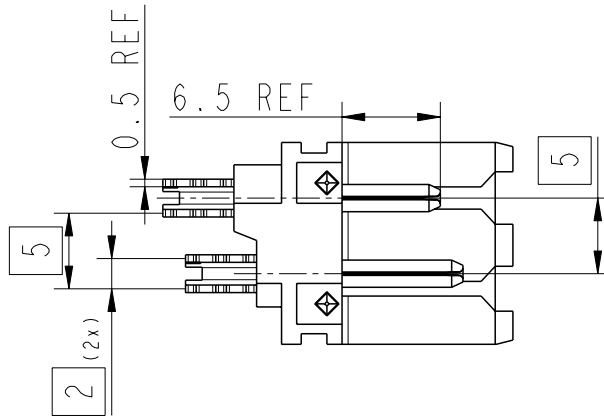
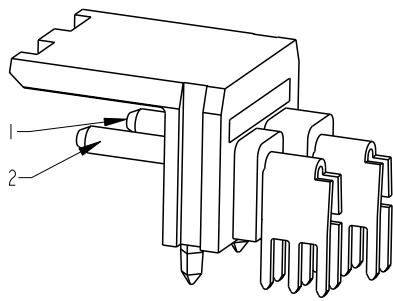


Performance level	
72847-1XXLF	Telcordia CO.
72847-2XXLF	Customer Special

www.fciconnect.com		surface ISO 1302	✓	tolerance std ISO 406 ISO 1101	projection mm	mm	
TOLERANCES UNLESS OTHERWISE SPECIFIED						↔	
Dr	JJA	1998/03/20	ANGULAR	LINEAR	size	A4	Scale
Eng	J Grek	1998/03/23			0.X		±0.3
Chr	H Carneling	1998/03/24	0° ±2°	0.XXX	±0.05	ECN	LS07-0255
Appr	J Jacobsson	1998/03/25	Product family		Sofix	Spec ref	RELEASED
		title CONCEPT RIGHT ANGLE HEADER POWER WITHOUT FILTER			dwg no	72847_C	
catalog no		CUSTOMER			sheet 1 of 6		
Rev.		G					

REV F - 2006-04-17

CONNECTOR



LEAD FREE PRODUCT NUMBER

KIT: 72847-X0XLF	
COMPONENTS	QTY
GROUP SPRING	1
SHIELD COVER	1
CONNECTOR	1
CONTACT SPRING	1

LEAD FREE PRODUCT NUMBER

PRODUCT NUMBER	L
72841-X02LF	2.2
72841-X03LF	2.7



Dimension with oval around are critical dimensions including any attached geometrical tolerance. Other features or stand-alone geometrical tolerances being critical have a note "CRITICAL FEATURE" below the item
 A symbol $\triangle x$ (x: drawing current revision) will be next to any dimension, view or note which has been modified with the current drawing revision

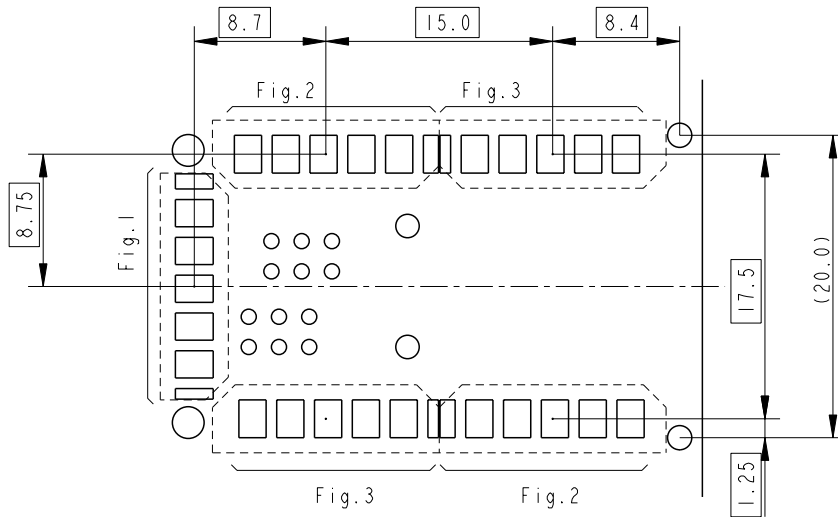
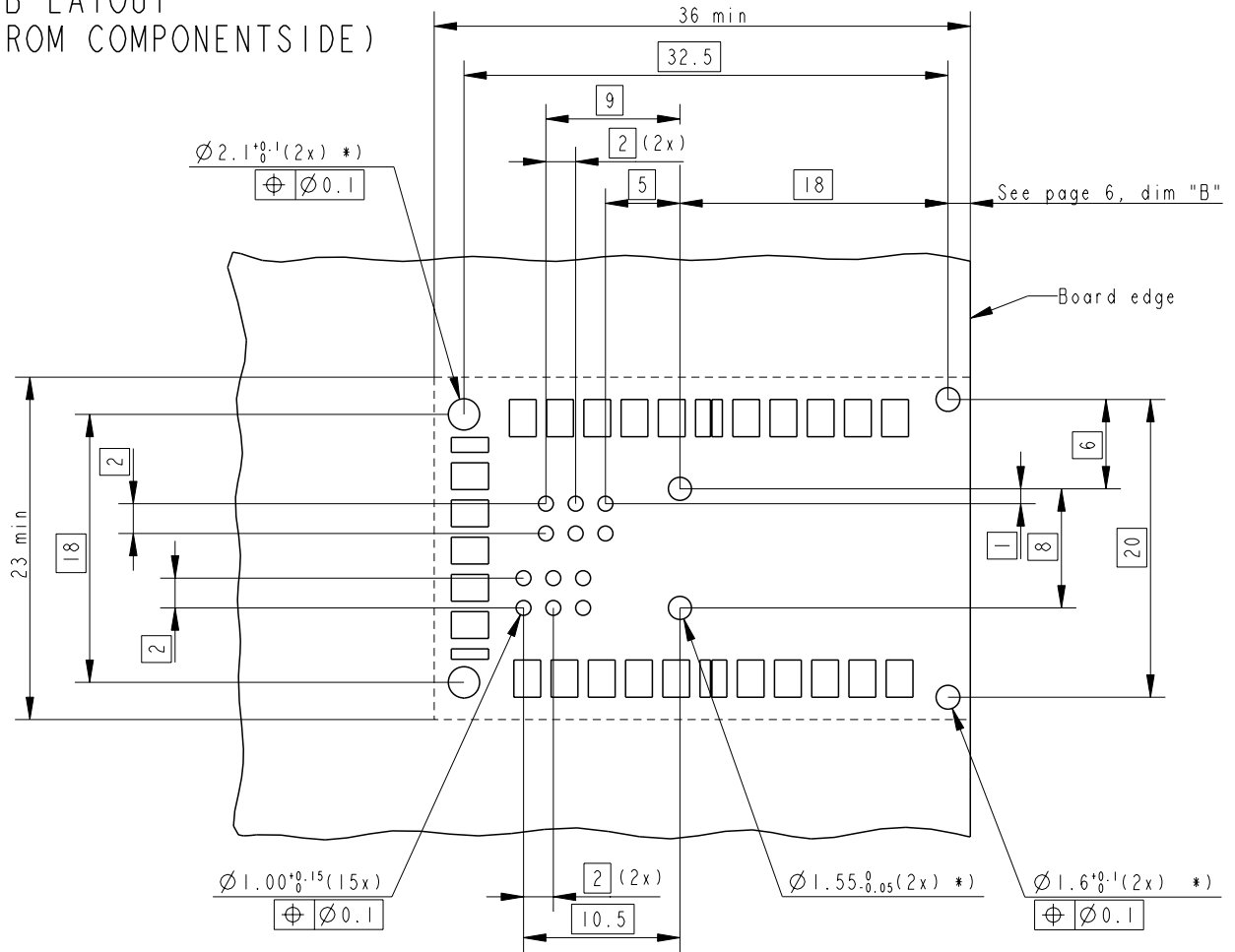


Copyright FCI.

www.fciconnect.com		surface ISO 1302	tolerance std ISO 406 ISO 1101	projection 	mm
		TOLERANCES UNLESS OTHERWISE SPECIFIED			
Dr	JJA	1998/03/20	ANGULAR	0.X	±0.3
Eng	J Grek	1998/03/23	LINEAR	0.XX	±0.1
Chr	H Carneling	1998/03/24	0° ±R°	0.XXX	±0.05
Appr	J Jacobsson	1998/03/25	Product family	Sofix	ECN LS07-0255
				Spec ref	RELEASED
	title CONCEPT RIGHT ANGLE HEADER POWER WITHOUT FILTER		dwg no 72847_C		Rev. G
catalog no		CUSTOMER		sheet 2 of 6	

REV F - 2006-04-17

PCB LAYOUT
(FROM COMPONENTS SIDE)



*) unplated holes



Copyright FCI.

www.fciconnect.com			surface ISO 1302	✓	tolerance std ISO 406 ISO 1101	projection A4	mm ↔
TOLERANCES UNLESS OTHERWISE SPECIFIED							
Dr	JJA	1998/03/20	ANGULAR	LINEAR	0.X	±0.3	size A4
Eng	J Grek	1998/03/23			0.XX	±0.1	
Chr	H Carneling	1998/03/24	0° ±R°		0.XXX	±0.05	ECN LS07-0255
Appr	J Jacobsson	1998/03/25	Product family Sofix			Spec ref RELEASED	
	title CONCEPT RIGHT ANGLE HEADER POWER WITHOUT FILTER				dwg no 72847_C		Rev. G
	catalog no				CUSTOMER		sheet 3 of 6

REV F - 2006-04-17

PDM: Rev:G

STATUS: Released

Printed: Aug 01, 2010

Fig 1

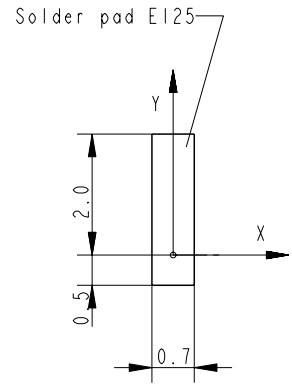
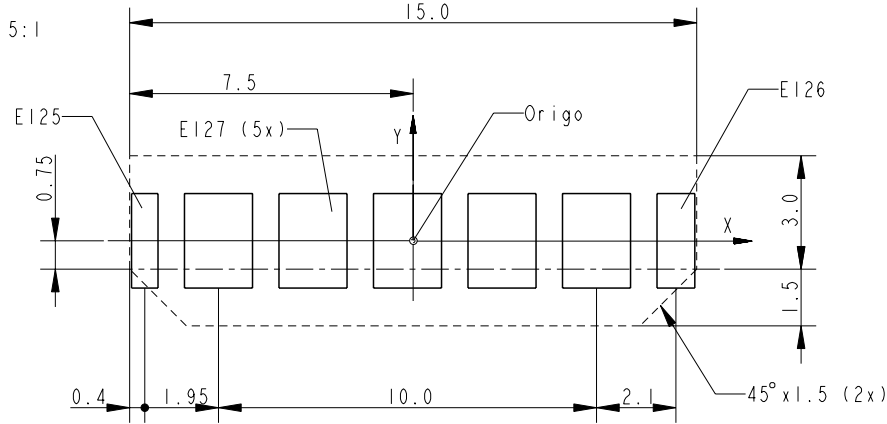


Fig 2

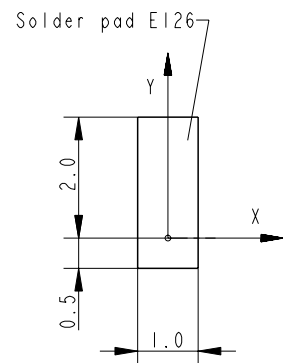
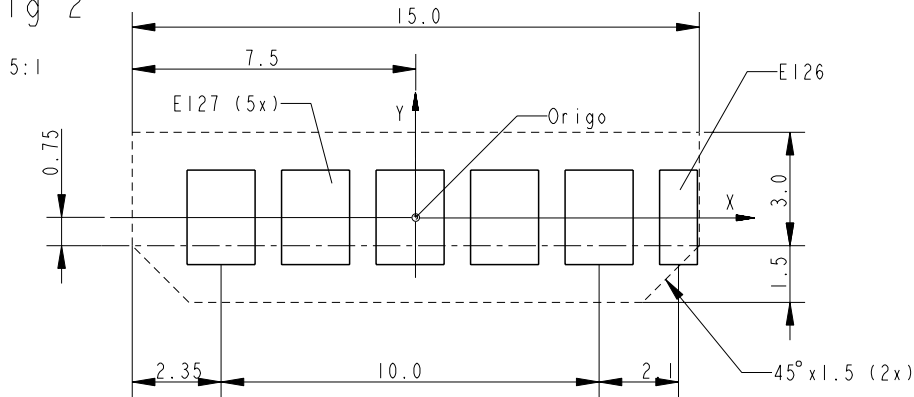
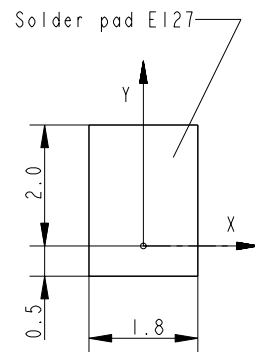
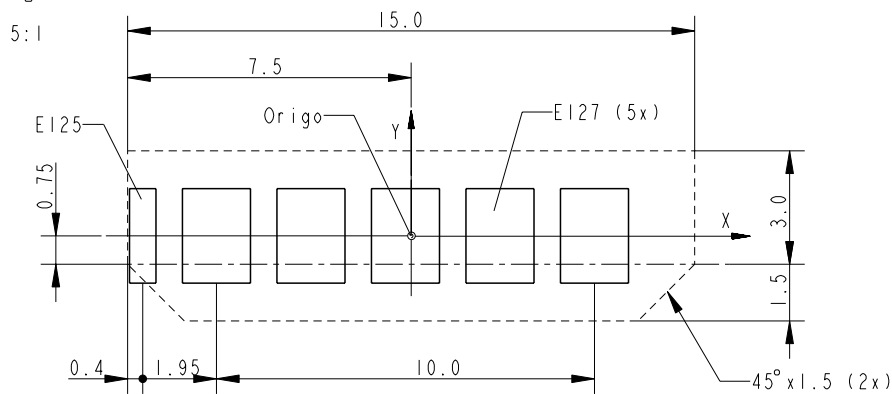


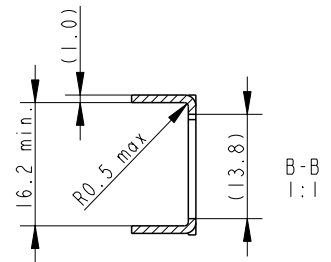
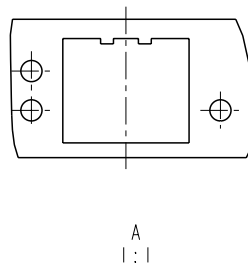
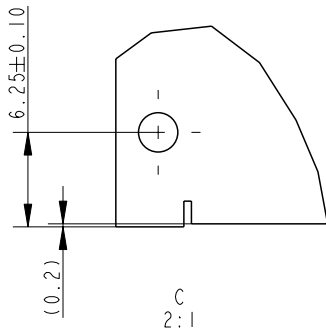
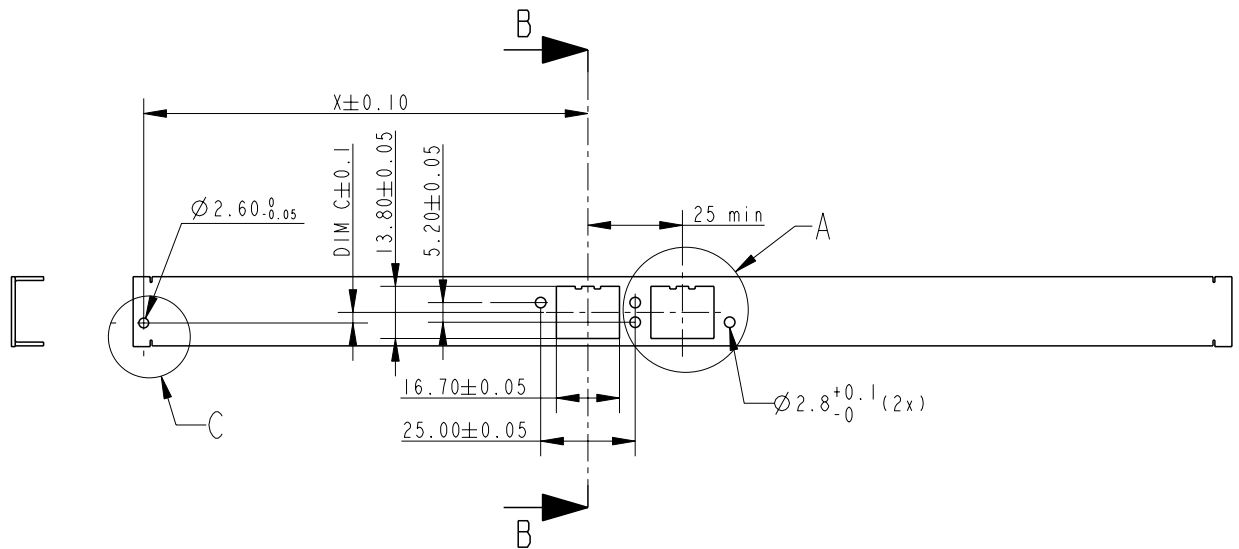
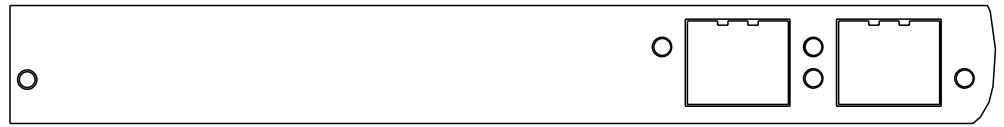
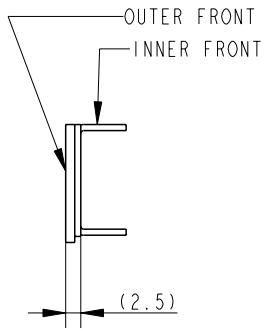
Fig 3



Copyright FCI.

www.fciconnect.com		surface ISO 1302	<input checked="" type="checkbox"/>	tolerance std ISO 406 ISO 1101	projection 	mm
TOLERANCES UNLESS OTHERWISE SPECIFIED						
Dr	JJA	1998/03/20	ANGULAR	LINEAR	0.X	±0.3
Eng	J Grek	1998/03/23			0.XX	±0.1
Chr	H Carneling	1998/03/24	0° ±R°	0.XXX	±0.05	size A4
Appr	J Jacobsson	1998/03/25	Product family		Sofix	Scale 1:1
title CONCEPT RIGHT ANGLE HEADER POWER WITHOUT FILTER					ECN LS07-0255	
catalog no					Spec ref RELEASED	
				dwg no 72847_C		Rev. G
REV F - 2006-04-17				CUSTOMER		sheet 4 of 6

FRONT LAYOUT



BUILDING PRACTICE	DIM A
IEC 60917-2-2	2.80
IEC 60297-3 (19")	2.76



Copyright FCI.

www.fciconnect.com			surface ISO 1302	✓	tolerance std ISO 406 ISO 1101	projection mm	mm	
			TOLERANCES UNLESS OTHERWISE SPECIFIED				size A4	Scale 1:1
Dr	JJA	1998/03/20	ANGULAR	LINEAR	0.X	±0.3	ECN LS07-0255	
Eng	J Grek	1998/03/23			0.XX	±0.1		
Chr	H Carneling	1998/03/24	0° ±R°		0.XXX	±0.05	Spec ref RELEASED	
Appr	J Jacobsson	1998/03/25	Product family Sofix					
	title CONCEPT RIGHT ANGLE HEADER POWER WITHOUT FILTER				dwg no 72847_C	Rev. G		
	catalog no					CUSTOMER		sheet 5 of 6

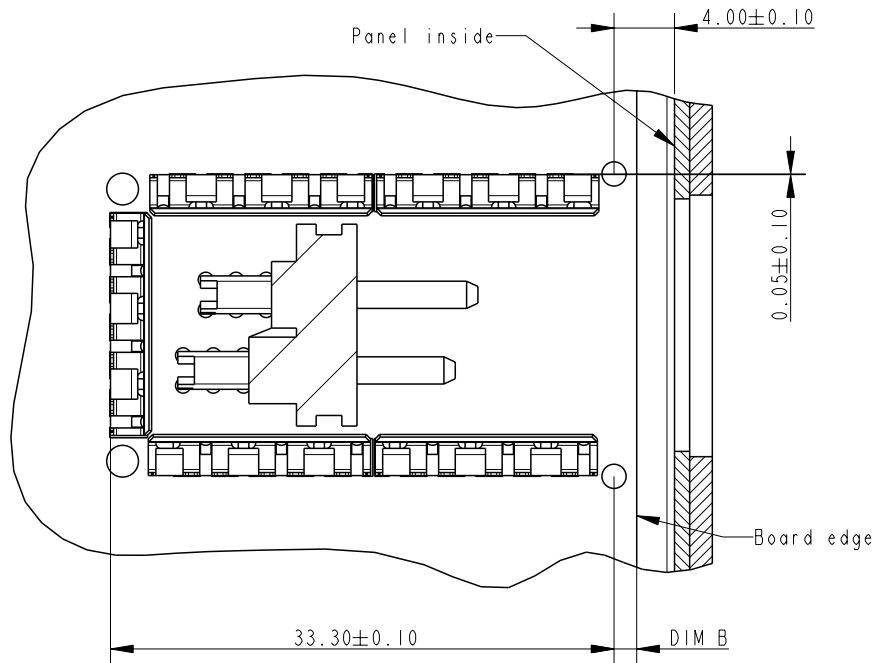
REV F - 2006-04-17

PDM: Rev:G

STATUS: Released

Printed: Aug 01, 2010

ASSEMBLY LAYOUT



A - A
2:1

BUILDING PRACTICE	DIM A	DIM B
IEC 60917-2-2	2.5	1.5
IEC 60297-3 (19")	2.54	1.46

www.fciconnect.com

surface
ISO 1302

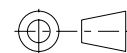


tolerance std
ISO 406 ISO 1101

projection

mm

TOLERANCES UNLESS OTHERWISE SPECIFIED



Dr	JJA	1998/03/20
Eng	J Grek	1998/03/23
Chr	H Carneling	1998/03/24
Appr	J Jacobsson	1998/03/25

ANGULAR

LINEAR

0.X	±0.3
0.XX	±0.1
0.XXX	±0.05

size
A4

Scale
3:2

0° ±R°

Product family

ECN

LS07-0255

Sofix

Spec ref

RELEASED



title
CONCEPT RIGHT ANGLE
HEADER POWER WITHOUT FILTER

dwg no

72847_C

Rev.
G

catalog no

CUSTOMER

sheet 6 of 6

REV F - 2006-04-17