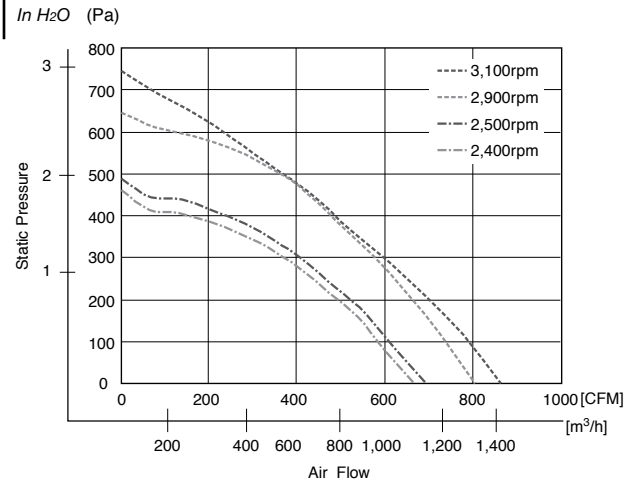




## Characteristic Curves



Impellers

## General Specifications

### Motor Protection:

Locked Rotor, Reverse Polarity

### Insulation Resistance:

10M Ω min measured with 500V DC between all leads shorted together and case

### Dielectric Withstand Voltage: AC 700V 1 minute

### Allowable Ambient Temperature Range:

-30°C ~ +70°C (Operating)  
-40°C ~ +80°C (Storage)

## Expected Life

### Failure Rate: 10%

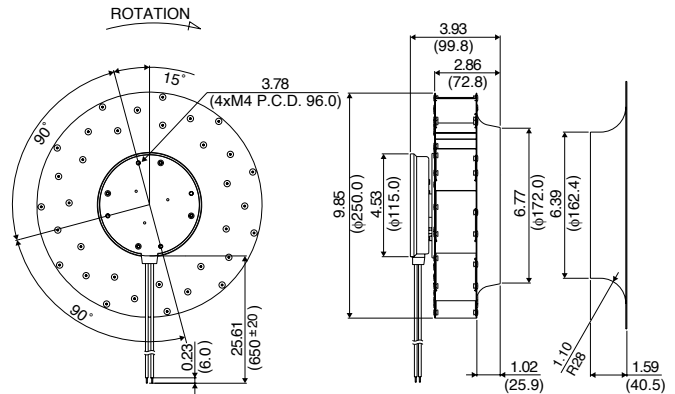
40°C 70,000 Hours (L10)

## Material

Impeller : Steel  
Bearing : Ball Bearing  
Lead Wire : UL1015, AWG18, +Red, -Black,  
Speed Control = Yellow,  
Speed Signal = White

## Outline

Units: inch (mm)



## Specifications

MODEL	Rated Voltage	Operating Voltage	Current	Input Power	Speed	Max. Air Flow		Max. Static Pressure		Noise	Mass
	(V)	(V)	(A) <sup>*1</sup>	(W) <sup>*1</sup>	(min <sup>-1</sup> ) <sup>*1</sup>	CFM <sup>*1</sup>	(m <sup>3</sup> /min) <sup>*1</sup>	in H <sub>2</sub> O	(Pa) <sup>*1</sup>	(dB) <sup>*1</sup>	(g)
F250A3-072-D0730	48	30 ~ 72	3.40	163.2	3100	862	24.41	2.98	745	81	2400
F250A4-072-D0720	48	30 ~ 72	1.85	88.8	2500	693	19.63	1.96	490	74	2400
F250A5-072-D0520	24	18 ~ 30	6.05	145.2	2900	806	22.83	2.59	646	78	2400
F250A6-072-D0520	24	18 ~ 30	3.50	84.0	2400	668	18.92	1.84	460	73	2400

Rotation: Clockwise

\*1: Average Values in Free Air and Rated Voltage Condition