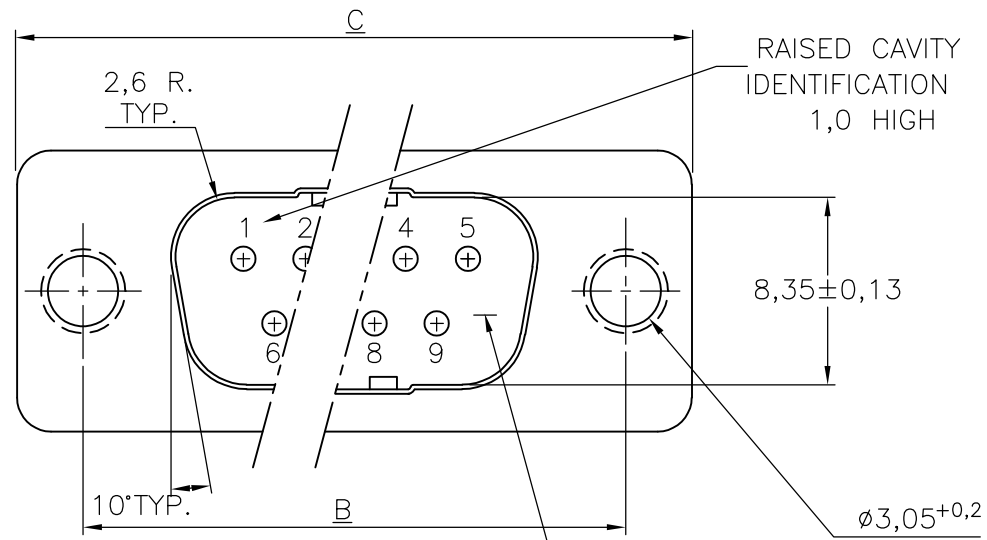


THIS DRAWING IS UNPUBLISHED. RELEASED FOR PUBLICATION  
 © COPYRIGHT - By - ALL RIGHTS RESERVED.

LOC	DIST	REVISIONS			
P	LTR	DESCRIPTION	DATE	DWN	APVD
H	-	M2	REVISED PER ECO-11-005294	05APR11	RK HMR



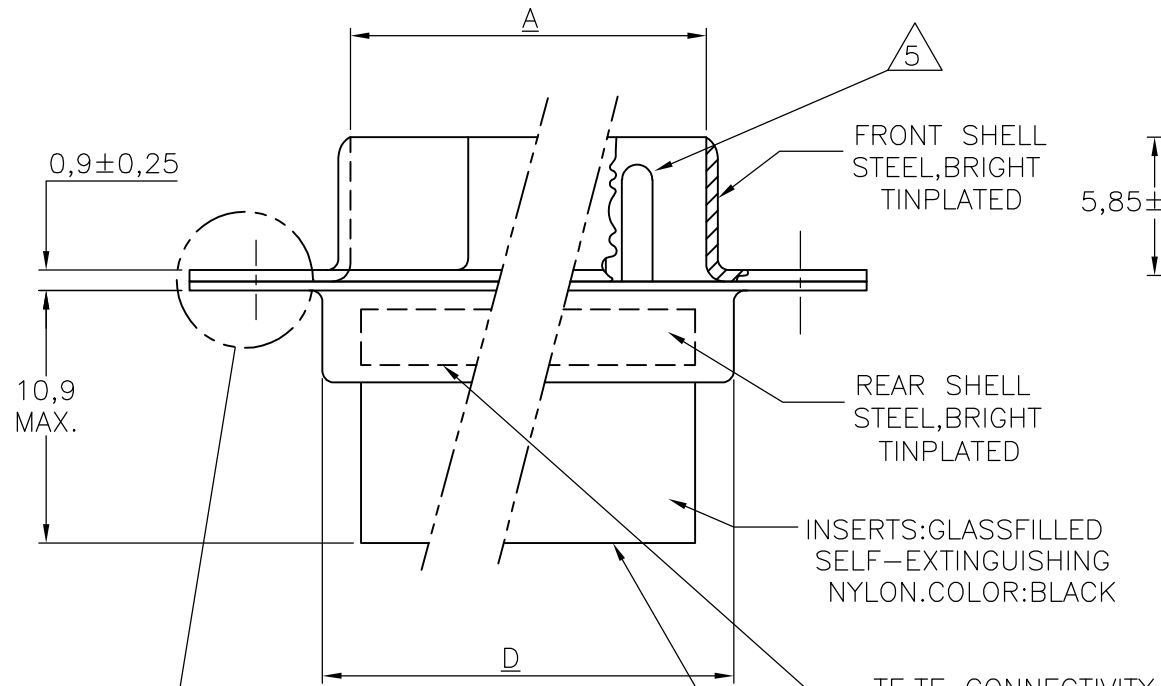
SIZE 1 THRU 4  
CONFIGURATION

MATING FACE

NOTES:

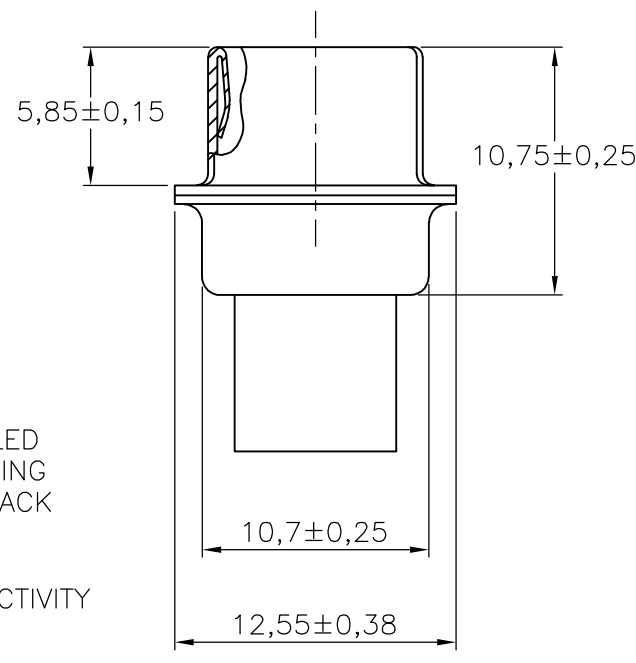
- THIS PLUG ACCEPTS SIZE 20 PIN CONTACTS.
- MAXIMUM WIRE INSULATION RECOMMENDED FOR USE WITH THIS PLUG IS 1,73 DIA. MAX..
- RETENTION TINES ARE AN INTEGRAL PART OF INSERT.
- FOLLOWING INSERTION/REMOVAL TOOLS ARE RECOMMENDED FOR USE WITH THESE CONNECTORS:
 

32-28AWG/28-24AWG CONT's	24-20AWG CONTACTS
91067-3 INSERTION/REMOVAL	91067-2 INSERTION/REMOVAL
726363-1 INSERTION ONLY	726363-1 INSERTION ONLY
	726364-1 REMOVAL ONLY
- CONTACTS SHOWN FOR ILLUSTRATION ONLY, NO PART OF CONNECTOR PACKAGE ;MUST BE ORDERED SEPARATELY.
- RAISED CAVITY IDENTIFICATION NUMBERS ON WIRE SIDE ARE WHITENED FOR -9 P/N'S.



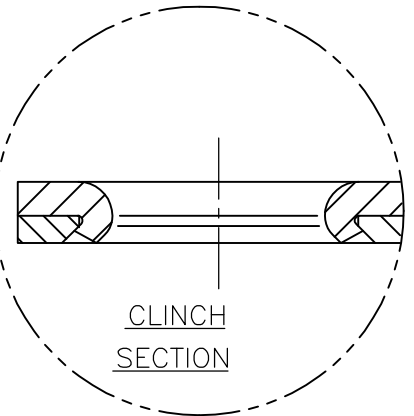
TE,TE CONNECTIVITY  
PARTNUMBER,  
DATE CODE  
INK STAMPED

RAISED CAVITY IDENTIFICATION.



D	C	B	A	NR.OF POS	SIZE	ORDER NUMBER
55,3	66,9	61,1	52,9	50	5	<del>167296-9</del> 167296-1
57,7	69,3	63,5	55,4	37	4	<del>167295-9</del> 167295-1
41,3	53,0	47,0	39,0	25	3	<del>167294-9</del> 167294-1
27,5	39,1	33,3	25,3	15	2	<del>167293-9</del> 167293-1
19,3	30,8	25,0	16,9	9	1	<del>167292-9</del> 167292-1

FOR DETAILS SIZE 5, SEE SHEET 2.

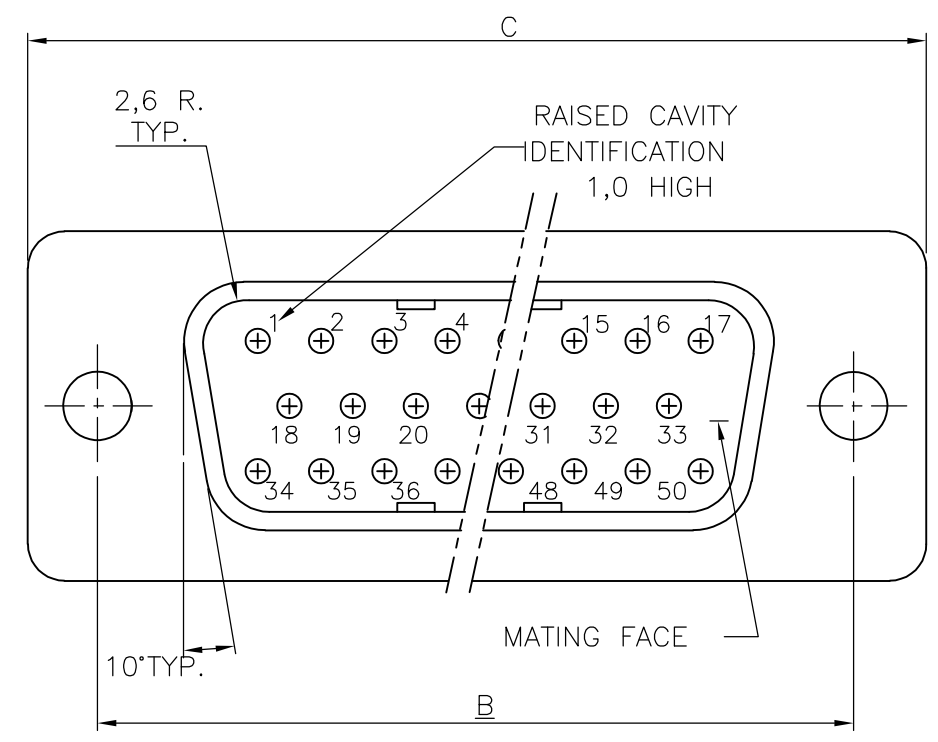


CLINCH SECTION

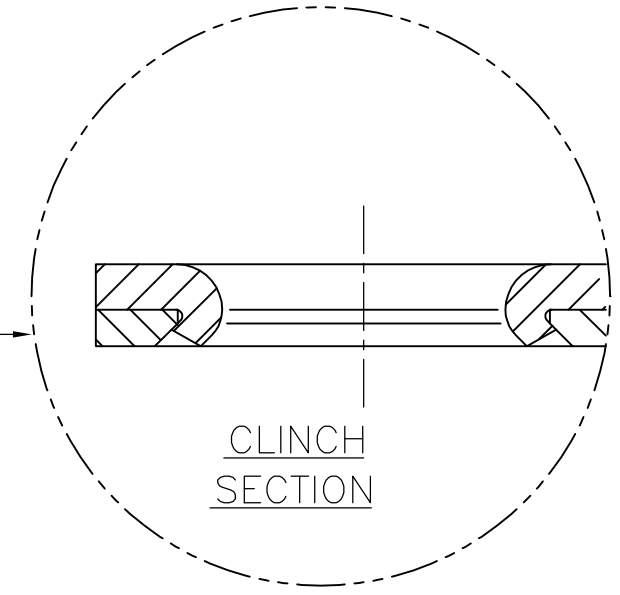
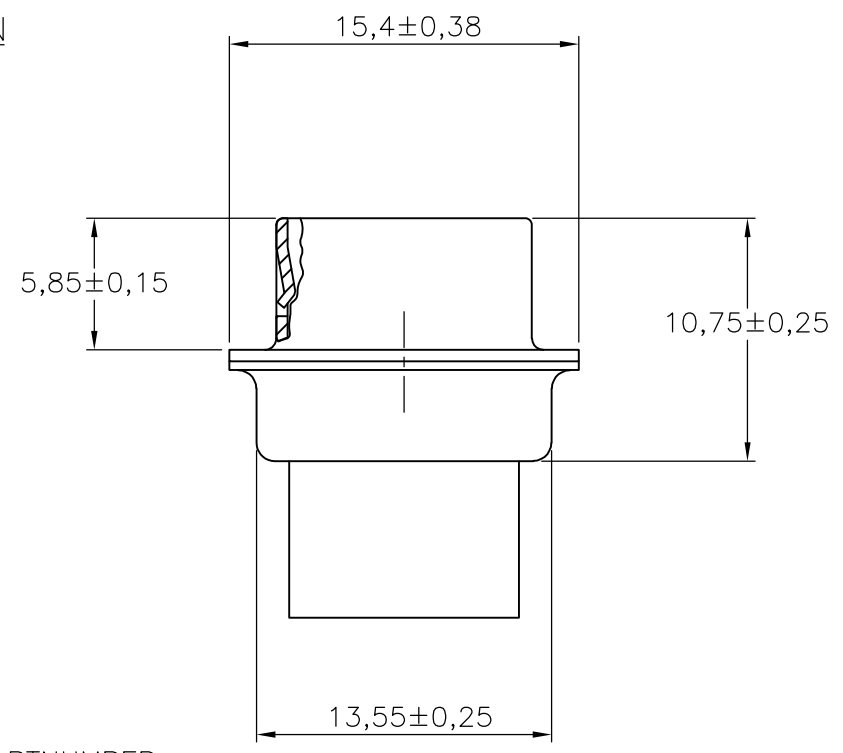
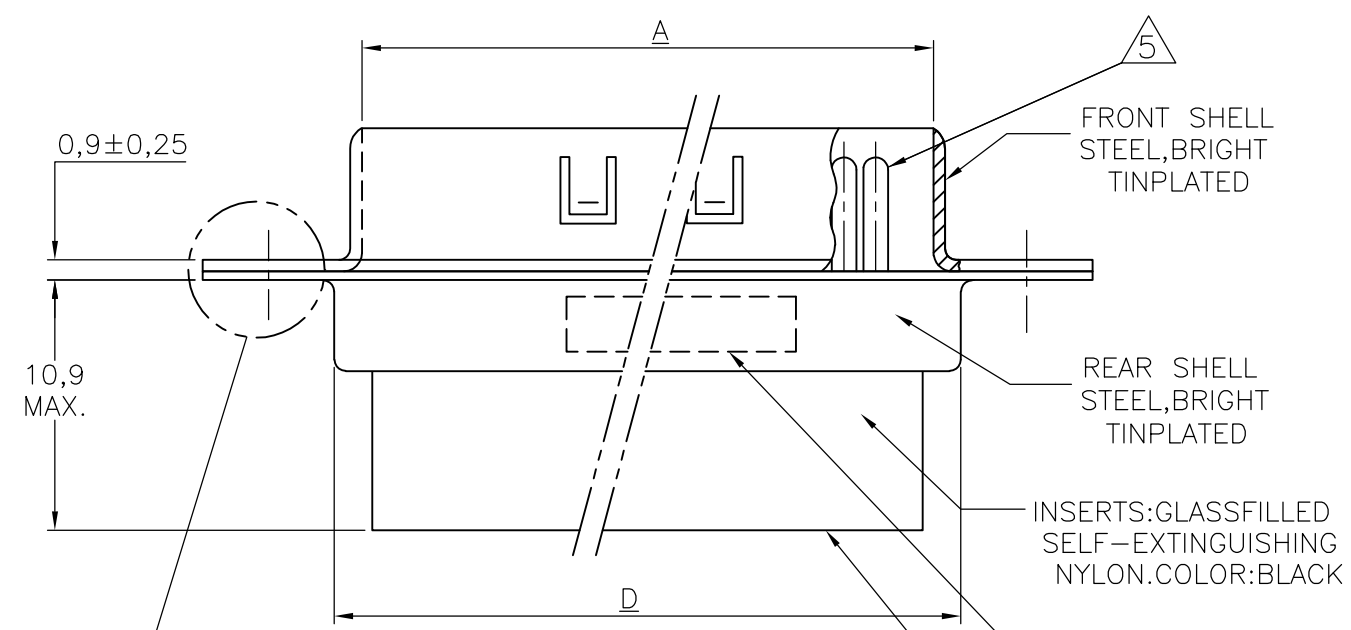
THIS DRAWING IS A CONTROLLED DOCUMENT.		DWN B.MOOIJ 20NOV87	TE Connectivity		
DIMENSIONS: mm		CHK -			
TOLERANCES UNLESS OTHERWISE SPECIFIED:		APVD -	NAME		
0 PLC ± -		PRODUCT SPEC -			
1 PLC ± 0,2		APPLICATION SPEC -	HDP-20 PLUG CONNECTOR, SIZE 1-4		
2 PLC ± -		WEIGHT -			
3 PLC ± -		SIZE	CAGE CODE	DRAWING NO	RESTRICTED TO
4 PLC ± -		A3	00779	C-167292	-
ANGLES ± 2'		CUSTOMER DRAWING		SCALE NTS	SHEET 1 OF 2
FINISH -				REV M2	

THIS DRAWING IS UNPUBLISHED. RELEASED FOR PUBLICATION  
 © COPYRIGHT - By - ALL RIGHTS RESERVED.

LOC	DIST	REVISIONS			
P	LTR	DESCRIPTION	DATE	DWN	APVD
H	-	SEE SHEET 1	-	-	-



SIZE 5  
CONFIGURATION



TE,TE CONNECTIVITY PARTNUMBER, DATE CODE INK STAMPED  
 RAISED CAVITY IDENTIFICATION. 6

THIS DRAWING IS A CONTROLLED DOCUMENT.		DWN B.MOOIJ 20NOV87	<b>TE Connectivity</b>				
DIMENSIONS: mm		CHK -					
TOLERANCES UNLESS OTHERWISE SPECIFIED:		APVD -	NAME				
0 PLC ± -		PRODUCT SPEC -	HDP-20 PLUG CONNECTOR, SIZE 5				
1 PLC ± 0,2		APPLICATION SPEC -	SIZE	CAGE CODE	DRAWING NO	RESTRICTED TO	
2 PLC ± -		WEIGHT -	A3	00779	C-167292	-	
3 PLC ± -		FINISH -	CUSTOMER DRAWING		SCALE	SHEET	REV
4 PLC ± -					NTS	2 OF 2	M2
ANGLES ± 2'							