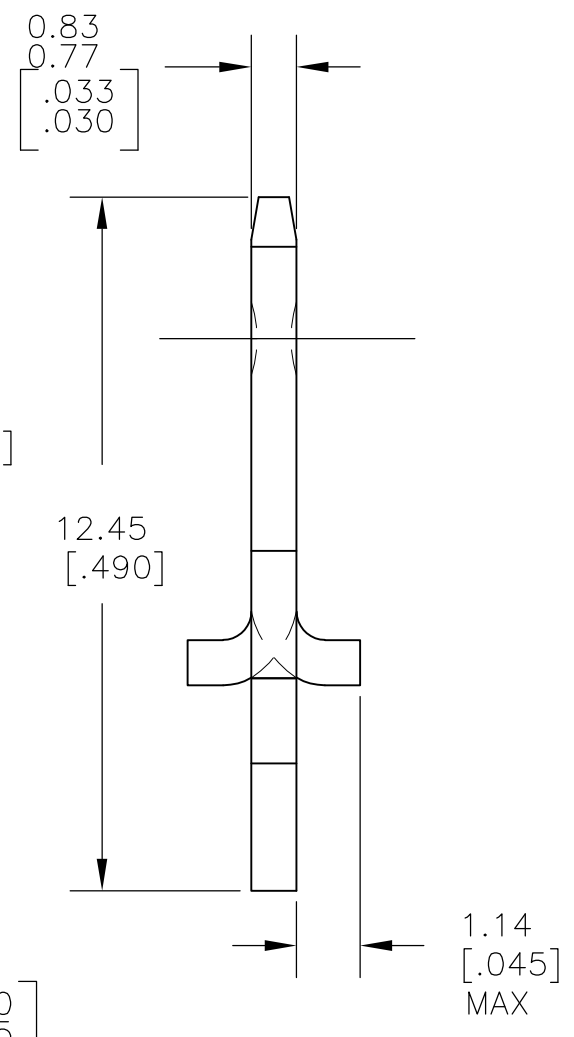
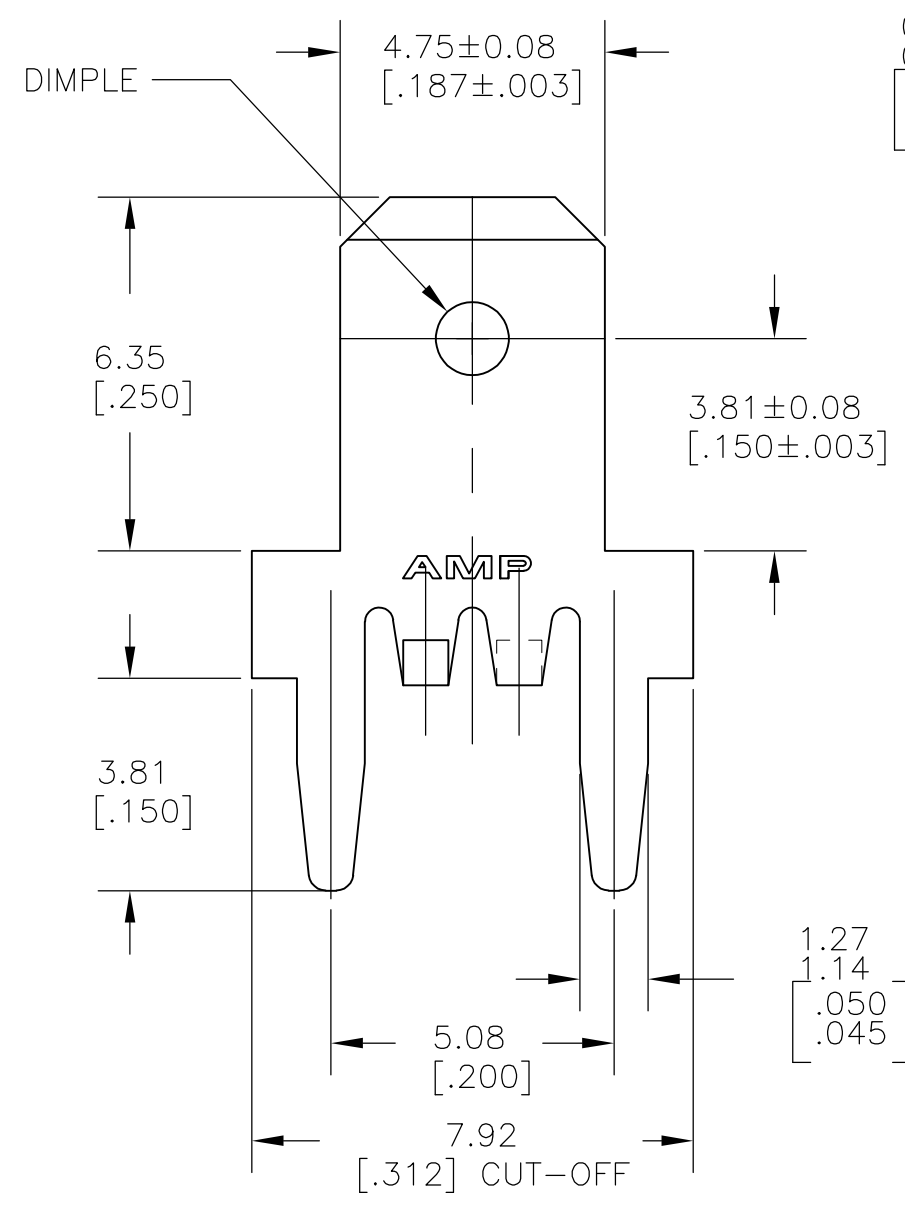
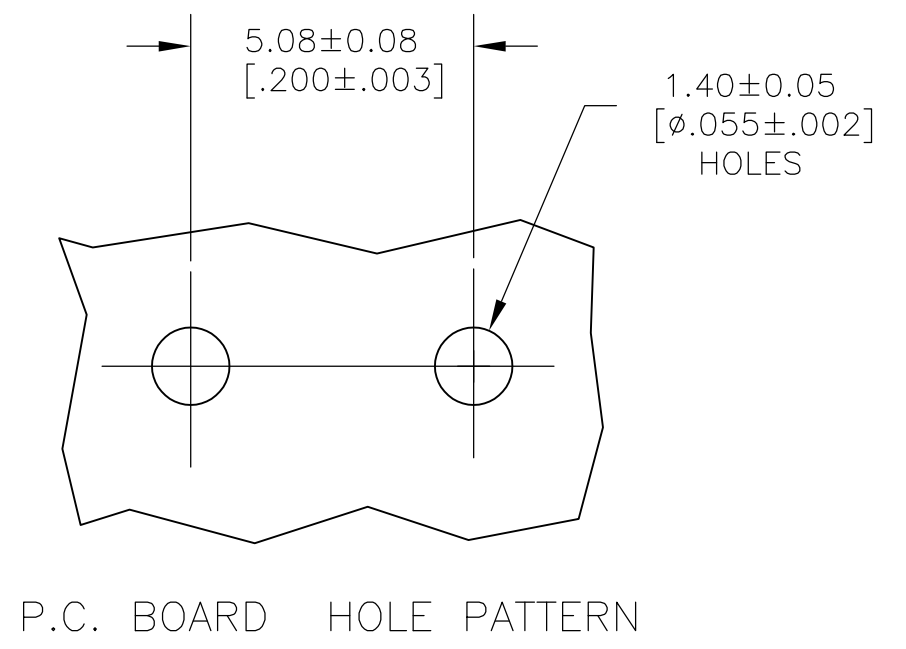


LOC	DIST	REVISIONS					
AF	50	P	LTR	DESCRIPTION	DATE	DWN	APVD
		G1		REV PER ECR-11-003939	22FEB11	JR	PD



- 1 CONTINUOUS STRIP ON REELS.
- △ TIN PLATE 0.00381 [.000150] MIN OVER 0.00254 [.000100] MIN THK COPPER OR TIN PLATE 0.00381 [.000150] MIN OVER 0.00127 [.000050] MIN THK NICKEL.



63860-1  
PART NO.

THIS DRAWING IS A CONTROLLED DOCUMENT.		DWN	JR RUTH	13FEB01	Tyco Electronics Corporation Harrisburg, PA 17105-3608
DIMENSIONS: mm [INCHES]		CHK	MS FEHER	20FEB01	
TOLERANCES UNLESS OTHERWISE SPECIFIED:		APVD	N DEIBERT	20FEB01	
0 PLC ± - 1 PLC ± - 2 PLC ± 0.25 [.010] 3 PLC ± - 4 PLC ± - ANGLES ± -		PRODUCT SPEC	NAME		
MATERIAL	082 BRASS	FINISH	△		TAB, FASTON, P.C.BOARD 4.75 [.187]
WEIGHT		-		SIZE	A3
CUSTOMER DRAWING		CAGE CODE		00779	DRAWING NO
SCALE		8:1		DRAWING NO	
SHEET		1 OF 1		RESTRICTED TO	
REV		G1			