

MATERIALS AND FINISHES

BODY: STAINLESS STEEL  
PLATED GOLD

COUPLING NUT: STAINLESS STEEL  
PASSIVATED (-0071 & -0072)  
GOLD (-0073)

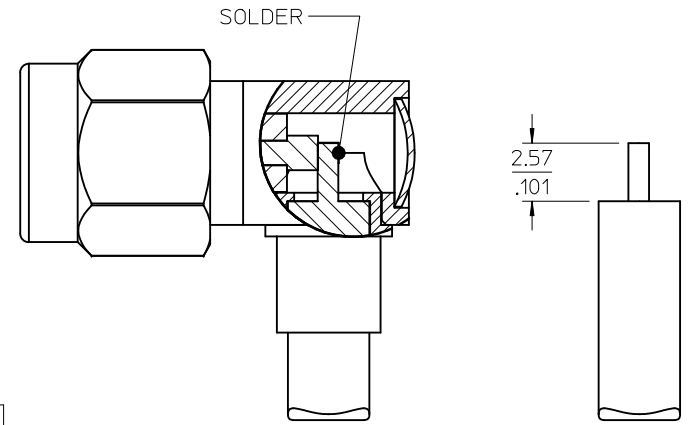
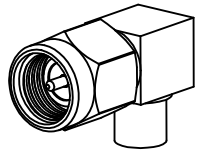
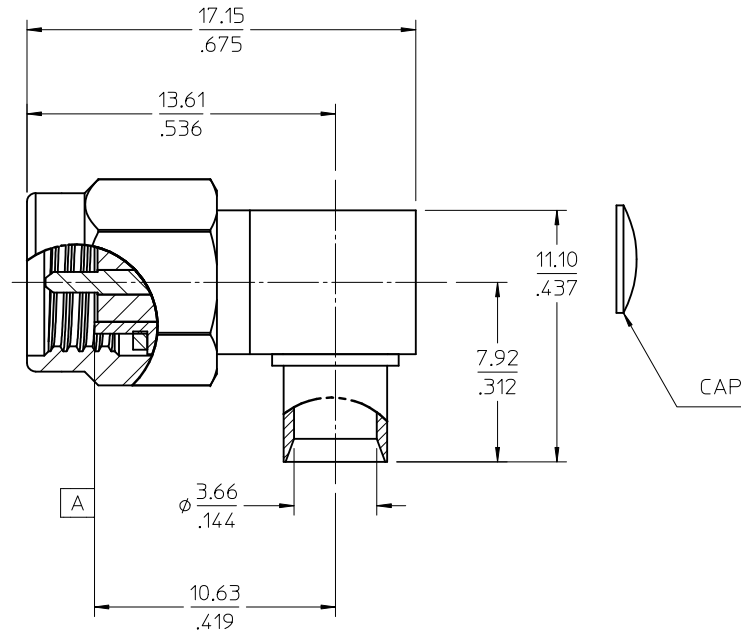
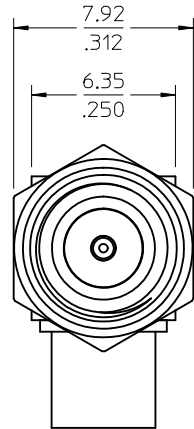
CONTACT: BRASS  
PLATED GOLD

INSULATOR: TEFLON

GASKET: SILICONE RUBBER

CRING: BERYLLIUM COPPER

CAP: BRASS  
PLATED GOLD



PS-89675-3460	PRODUCT SPECIFICATION
MIL-STD-348A, FIG. 310-1	INTERFACE
SPECIFICATION	DESCRIPTION

73251-0073	STANDARD	8 u"	Ni-Ph 80 u" MIN
73251-0072	73251-0071 BY TRAY (20 CAVITY)	30 u"	NICKEL 100 u" MIN
73251-0071	STANDARD	30 u"	NICKEL 100 u" MIN
PART NO.	PACKAGING	GOLD LAYER	UNDER LAYER

CHG: UPDATE VIEW EC NO: URF2013-0460 DRWN: JWIENER 2013/02/08 CHKD: SSS 2013/02/08 APPR: JWIENER 2013/02/11	QUALITY SYMBOLS ▽=0 ▽=0	GENERAL TOLERANCES (UNLESS SPECIFIED) 4 PLACES ± --- ± --- 3 PLACES ± --- ± --- 2 PLACES ± --- ± --- 1 PLACE ± --- ± --- ANGULAR ± 2 °	DIMENSION STYLE MM/IN	SCALE INCH	DESIGN UNITS INCH	THIRD ANGLE PROJECTION	DRAWN BY TEF 1999/04/19	DATE 1999/04/19	CHECKED BY DHG 1999/04/19	DATE 1999/04/19	APPROVED BY GMH 1999/04/19	MATERIAL NO. SEE TABLE	DOCUMENT NO. SD-73251-007	SHEET NO. 1 OF 1	TITLE SMA PLUG RA FOR 141 TYPE CABLES SMA-PC/RA	MOLEX INCORPORATED
THIS DRAWING CONTAINS INFORMATION THAT IS PROPRIETARY TO MOLEX INCORPORATED AND SHOULD NOT BE USED WITHOUT WRITTEN PERMISSION																