

THIS DRAWING IS UNPUBLISHED.

RELEASED FOR PUBLICATION JULY, 2006.

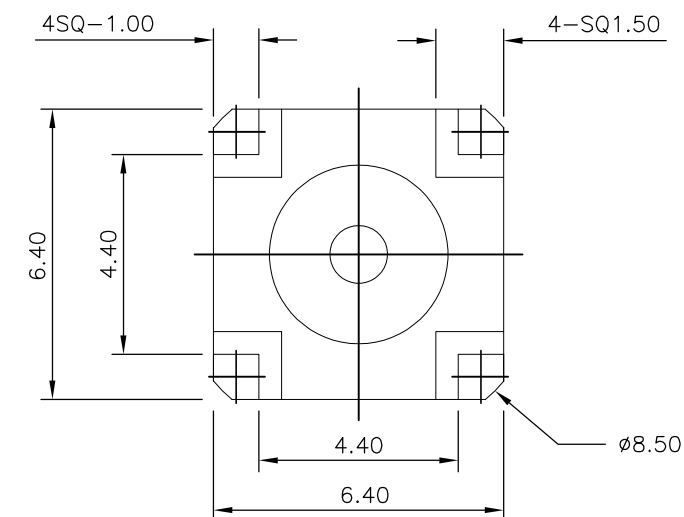
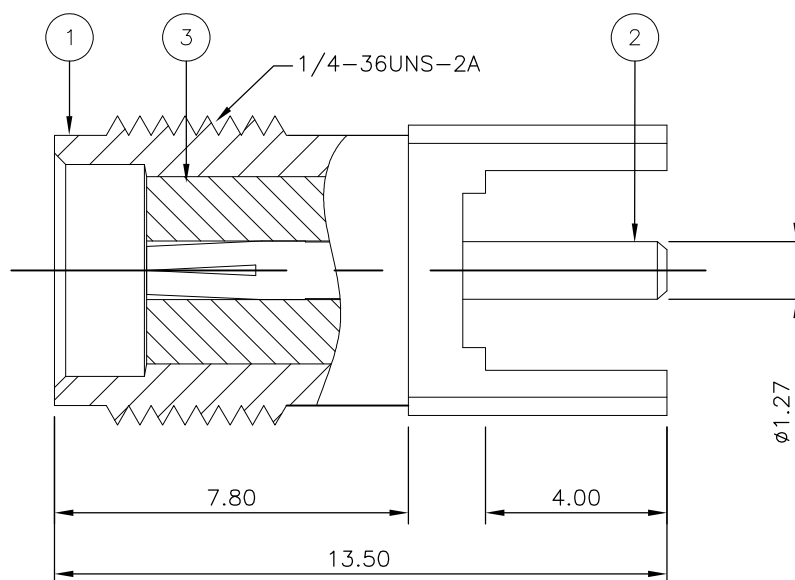
© COPYRIGHT 2006 By -

ALL RIGHTS RESERVED.

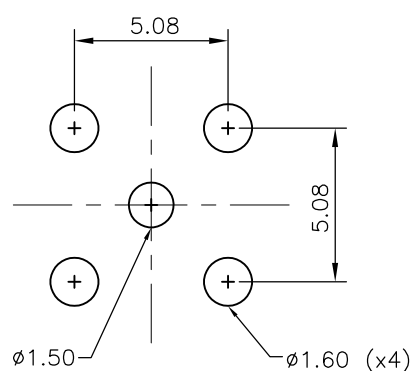
LOC E	DIST B	REVISIONS		
P	LTR	DESCRIPTION	DATE	DWN RK
	B1	REVISED PER ECO-11-005033	31MAR11	APVD HMR

NOTES

- 1 SINGLE PACK IN ACCORDANCE WITH AMP SPEC 107-3275
- 2 100 TRAY PACK IN ACCORDANCE WITH AMP SPEC 107-3275
- 3 Au PLATING



RECOMMENDED PCB LAYOUT WITH MOUNTING POSTS



						1	1	PTFE	INSULATOR	3
						1	1	PHOSPHER BRONZE	SOCKET	2
						1	1	ZINC ALLOY	BODY	1
						5	15		MATERIAL	DESCRIPTION
										ITEM

THIS DRAWING IS A CONTROLLED DOCUMENT.		DWN ANSON MA 19FEB09	<b>TE Connectivity</b>														
DIMENSIONS: mm		CHK RITA ZUO 19FEB09															
TOLERANCES UNLESS OTHERWISE SPECIFIED:		APVD BOB ZHAO 19FEB09	NAME SMA STRAIGHT PCB SOCKET DIE CAST														
<table border="0"> <tr><td>0 PLC</td><td>± -</td></tr> <tr><td>1 PLC</td><td>± -</td></tr> <tr><td>2 PLC</td><td>± 0.2</td></tr> <tr><td>3 PLC</td><td>± -</td></tr> <tr><td>4 PLC</td><td>± -</td></tr> <tr><td>ANGLES</td><td>± -</td></tr> </table>		0 PLC	± -	1 PLC	± -	2 PLC	± 0.2	3 PLC	± -	4 PLC	± -	ANGLES	± -	PRODUCT SPEC 108-112000	RESTRICTED TO		
0 PLC	± -																
1 PLC	± -																
2 PLC	± 0.2																
3 PLC	± -																
4 PLC	± -																
ANGLES	± -																
MATERIAL SEE TABLE		FINISH -	WEIGHT -	SIZE A3	CAGE CODE 00779	DRAWING NO C-1814832											
CUSTOMER DRAWING			SCALE NTS	SHEET 1 OF 1	REV B1												