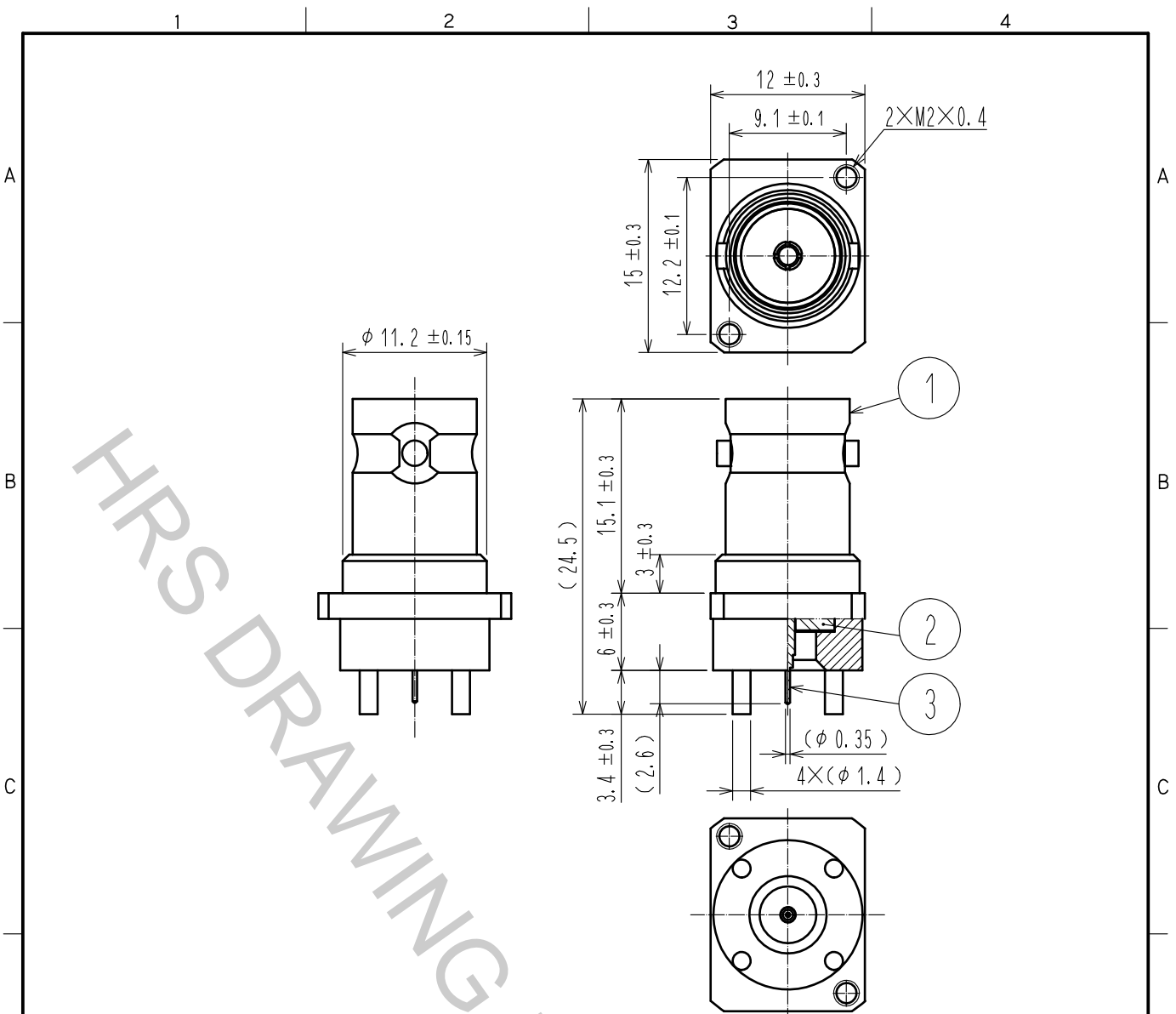
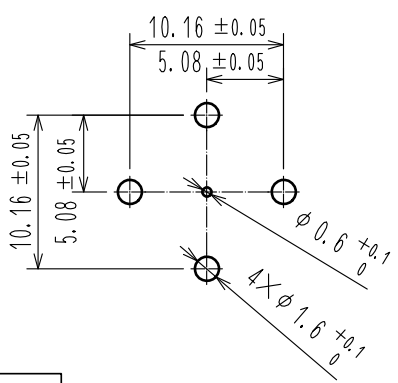


Aug.1.2018 Copyright 2018 HIROSE ELECTRIC CO., LTD. All Rights Reserved.  
 In case that the application demands a high level of reliability, such as automotive,  
 please contact a company representative for further information.

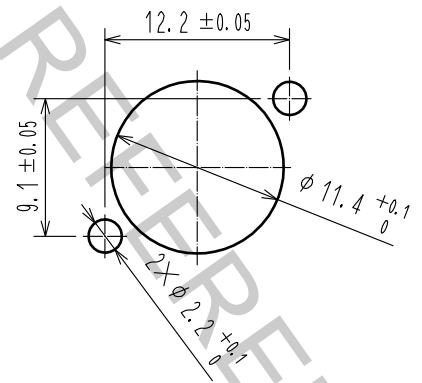


PCB layout(recommendation)



Panel layout (reference)

Thickness : 0.5~2mm Screw: M2×0.4



RoHS COMPLIANT

| 2                                    | PTFE     |                |           | 3                        | PHOSPHOR BRONZE | GOLD PLATING         |         |      |
|--------------------------------------|----------|----------------|-----------|--------------------------|-----------------|----------------------|---------|------|
| 1                                    | BRASS    | NICKEL PLATING |           |                          |                 |                      |         |      |
| NO.                                  | MATERIAL | FINISH         | REMARKS   | NO.                      | MATERIAL        | FINISH               | REMARKS |      |
| UNITS<br>mm                          |          | SCALE<br>2 : 1 | COUNT<br> | DESCRIPTION OF REVISIONS |                 | DESIGNED             | CHECKED | DATE |
| <b>HRS</b> HIROSE ELECTRIC CO., LTD. | APPROVED | : TO. KATAYAMA |           | 17.09.01                 | DRAWING NO.     | EDC-376949-00-00     |         |      |
|                                      | CHECKED  | : TO. KATAYAMA |           | 17.09.01                 | PART NO.        | BNC(75)-PR(6)-PC-12G |         |      |
|                                      | DESIGNED | : MA. SAEKI    |           | 17.09.01                 | CODE NO.        | CL302-0086-0-00      |         |      |
|                                      | DRAWN    | : MA. SAEKI    |           | 17.09.01                 |                 |                      |         |      |