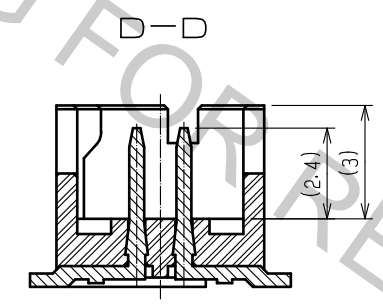
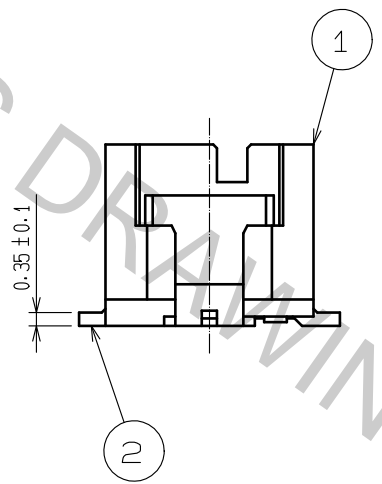
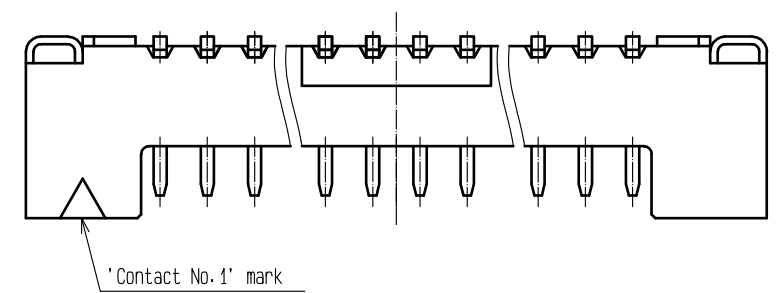
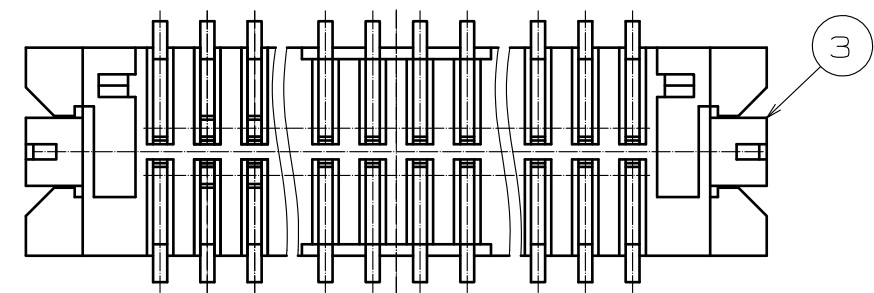
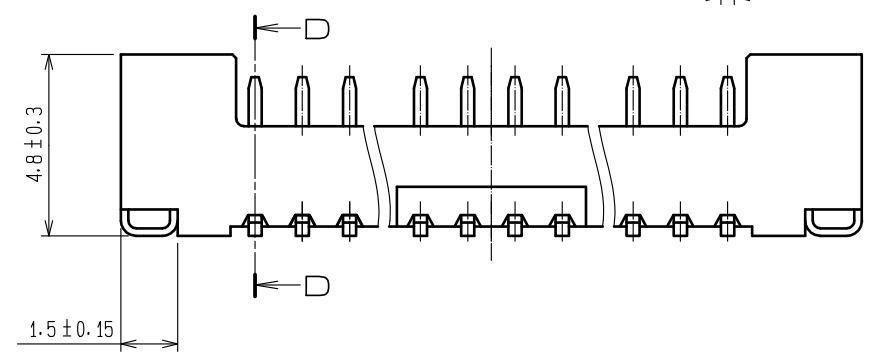
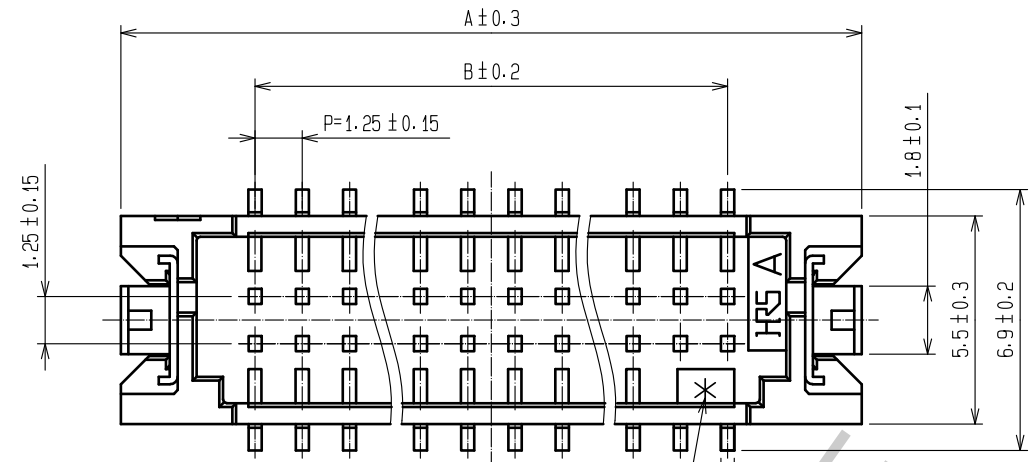
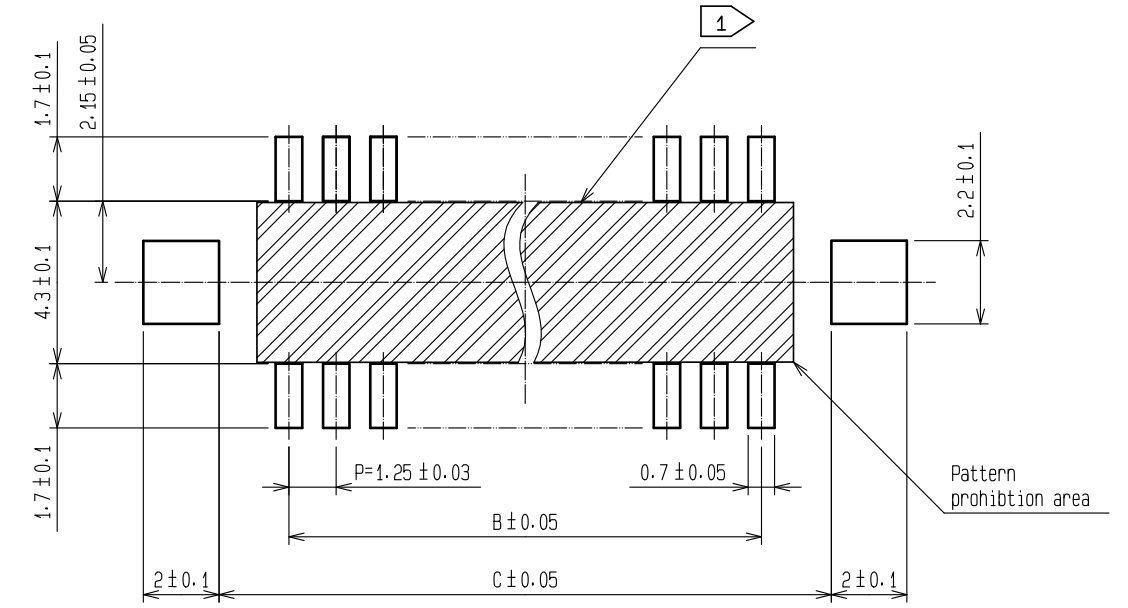


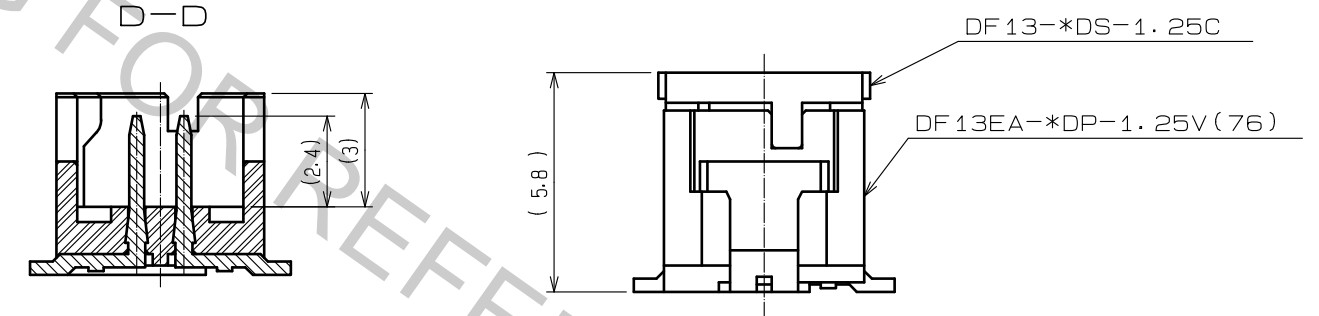
Aug.1.2018 Copyright 2018 HIROSE ELECTRIC CO., LTD. All Rights Reserved.
 In case that the application demands a high level of reliability, such as automotive,
 please contact a company representative for further information.



Recommended pattern



Mated connectors



NOTES 1: If there are pattern and a bia hole on part, there is a possibility that it will make contact with the leads.
 2: Lead co-planality include reinforced metal fittings shall be 0.1mm MAX.

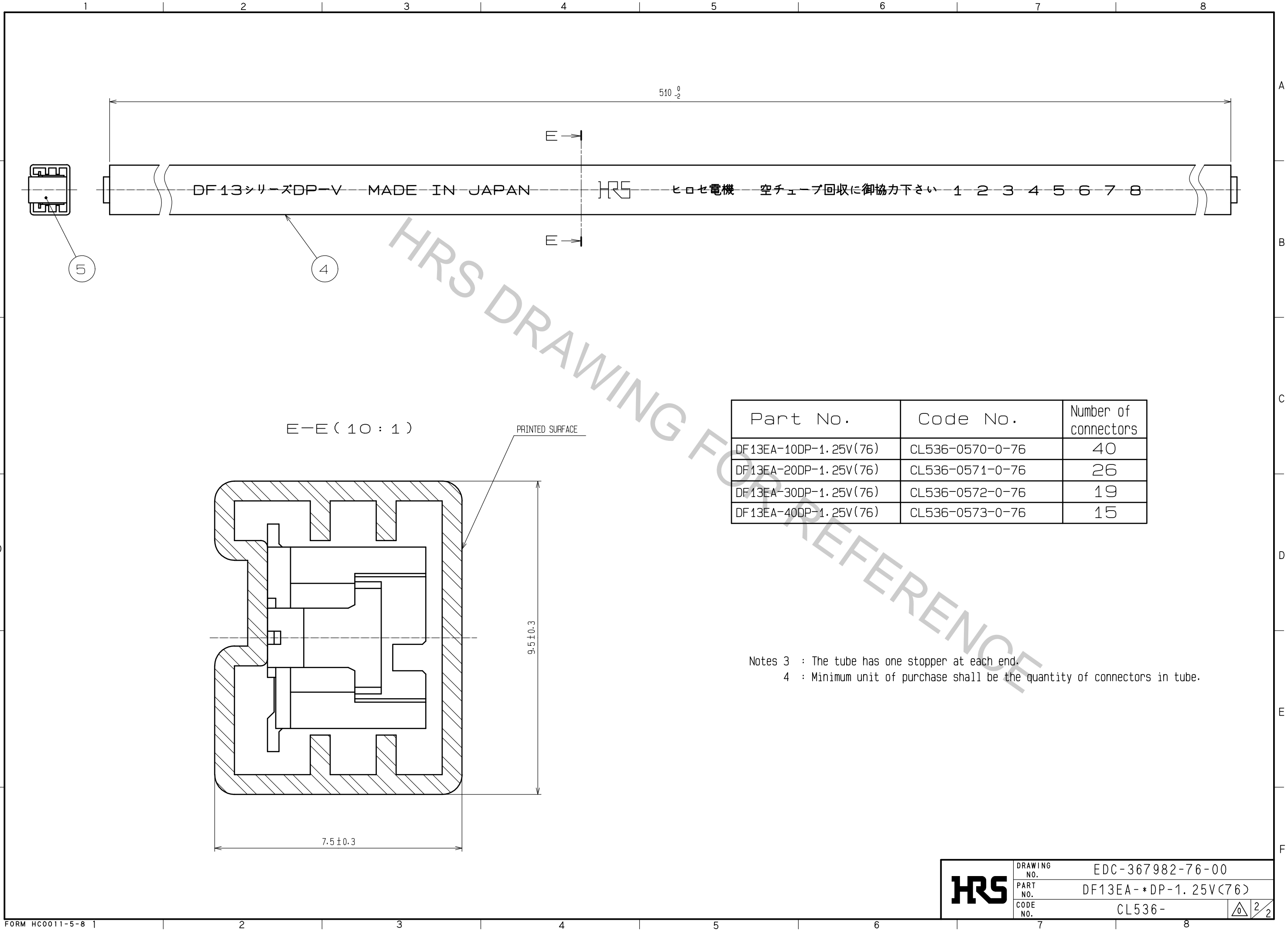
Part No.	Number of contacts	Code No.	A	B	C
DF 13EA-10DP-1.25V(76)	10	CL536-0570-0-76	12.1	5.0	8.7
DF 13EA-20DP-1.25V(76)	20	CL536-0571-0-76	18.35	11.25	14.95
DF 13EA-30DP-1.25V(76)	30	CL536-0572-0-76	24.60	17.50	21.20
DF 13EA-40DP-1.25V(76)	40	CL536-0573-0-76	30.85	23.75	27.45

NO.	MATERIAL	FINISH . REMARKS	NO.	MATERIAL	FINISH . REMARKS
2	Brass	Contact area:Gold plated 0.2µm MIN Lead area:Tin-copper plated 1µm MIN Under plating:Nickel 1µm MIN	5	ELASTOMER	Gray
1	Polyamide	Beige,UL94V-0	4	R. PVC	Electrostatic protection,Clear
			3	Phosphor bronze	Tin plated 1µm MIN

UNITS	SCALE	COUNT	DESCRIPTION OF REVISIONS	DESIGNED	CHECKED	DATE
mm	5 : 1	△	APPROVED : HS. OKAWA 18.04.05 CHECKED : TS. FUKUSHIMA 18.04.05 DESIGNED : TS. KUMAZAWA 18.04.05 DRAWN : MK. INOUE 18.04.05			

DRAWING NO.	PART NO.	CODE NO.
EDC-367982-76-00	DF13EA-*DP-1.25V(76)	CL536-

Aug.1.2018 Copyright 2018 HIROSE ELECTRIC CO., LTD. All Rights Reserved.
 In case that the application demands a high level of reliability, such as automotive,
 please contact a company representative for further information.



Part No.	Code No.	Number of connectors
DF13EA-10DP-1.25V(76)	CL536-0570-0-76	40
DF13EA-20DP-1.25V(76)	CL536-0571-0-76	26
DF13EA-30DP-1.25V(76)	CL536-0572-0-76	19
DF13EA-40DP-1.25V(76)	CL536-0573-0-76	15

Notes 3 : The tube has one stopper at each end.
 4 : Minimum unit of purchase shall be the quantity of connectors in tube.

HRS	DRAWING NO.	EDC-367982-76-00
	PART NO.	DF13EA-*DP-1.25V(76)
	CODE NO.	CL536-