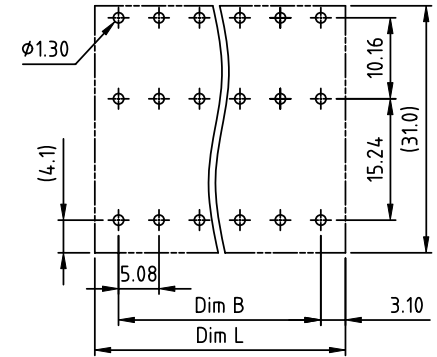
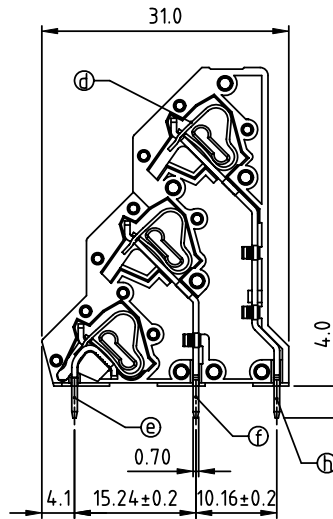
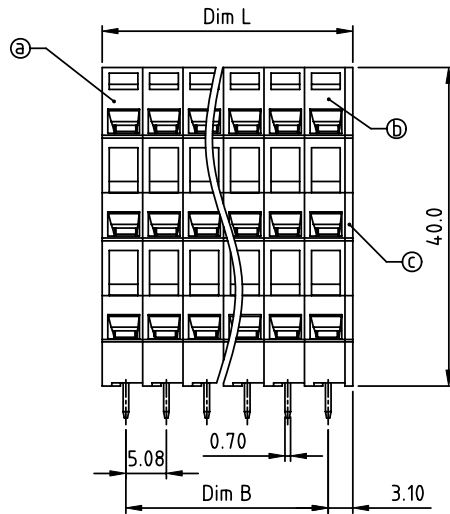


PRODUCT NUMBER	PITCH
HRxx30x000J0G	5.08mm



RECOMMENDED P.C.B LAYOUT
TOP VIEW

Material:

- Item a Terminal side housing: Thermoplastic (UL94V-0)
- Item b Terminal housing: Thermoplastic (UL94V-0)
- Item c Terminal cover: Thermoplastic (UL94V-0)
- Item d Spring clamp: Stainless steel
- Item e Short pin: Brass, Tin plated
- Item f Middle pin: Brass, Tin plated
- Item g Long pin: Brass, Tin plated

Electrical:

- cULus
- Voltage rating: 300V
- Current rating: 10A
- Wire range:
- Solid wire(AWG): 12-28
- Stranded wire(AWG): 12-28
- Wire strip length: 5-6mm
- Withstanding Voltage: 1.6KV
- Operating temperature: -40°C to +115°C
- Soldering temperature: 260°C±5°C/5 Sec
- Safety Approval:

N=Number of poles
Dim L=N/3×5.08+1.0
Dim B=(N/3-1)×5.08

Poles	Dim L	Dim B
3×1p	±0.10	
3×2p-3×6p	±0.10	±0.10
3×7p-3×12p	±0.15	±0.15
3×13p-3×18p	±0.20	±0.20
3×19p-3×24p	±0.30	±0.30

PART NO.: HR xx 30 x 000J0 G

No. of poles	Color	RoHS compliant
0	Black (RAL9005)	(lead<4%)
2	Red (RAL3001/D)	In copper Alloy
3	Orange(RAL2011/P)	
4	Yellow(RAL1018/A)	
5	Green(RAL6018/T)	
6	Blue (RAL5015/A)	
8	Grey(RAL7004/P)	
9	White(RAL1102)	
C	Multiple colors	

mat'l. code		surface ASME Y14.5	tolerance ASME Y14.5	projection 	product family TERMINAL BLOCK
ltr ecn no dr date		tolerances unless otherwise specified		MM	title TERMINAL BLOCK SPRING CLAMP, 4SD WIRE INLET, 3-LEVEL, PARALLEL TYPE
		angles X°±1°	X.±0.5 X.X±0.3 X.XX±0.1	scale	dwg no HRxx30x000J0G
		dr EVIN ZHONG	053014		sheet 1 of 1
		enr EVIN ZHONG	053014		size A4
		chr HANKE FENG	053014		type CUSTOMER Drawing
sheet index		revision sheet	A 1		