

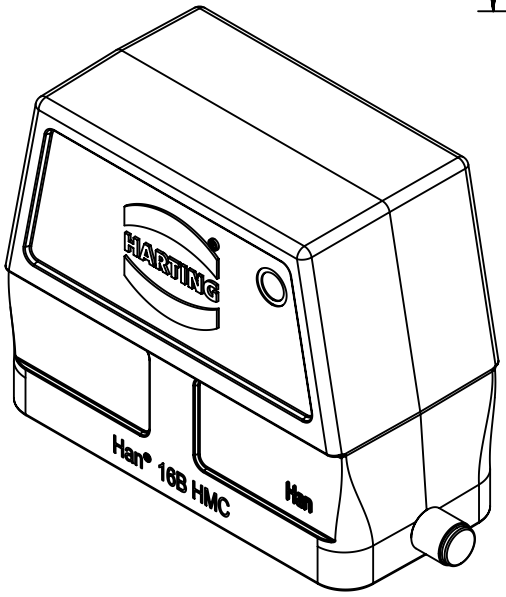
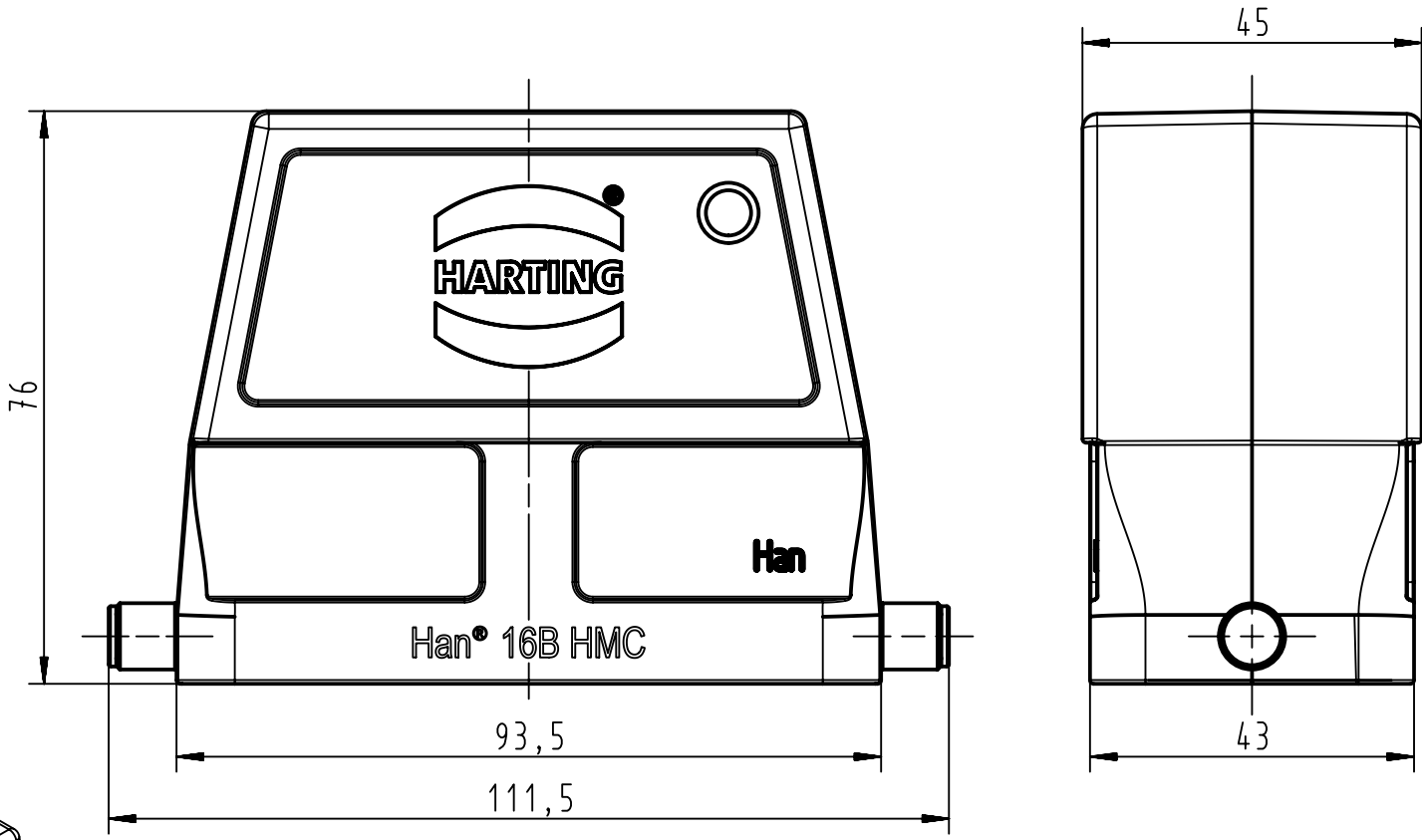
1 2 3 4 5 6

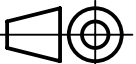

A

B

C

D



 All Dimensions in mm Original Size DIN A4	Scale 1:1		Free size tol.		Ref.	
	Created by HOLLERT		Inspected by BERGHORN		Standardisation SCHMIDTM	
 All rights reserved Department EL PD - DE	Date 2013-03-21		State Final Release		Doc-Key / ECM-Nr. 100533947/UGD/002/A 500000060187	
	Title Han 16B-HMC-g-R				Rev. A	
HARTING Electric GmbH & Co. KG D-32339 Espelkamp		Type TB	Number 09 30 216 0803		Page 1/1	