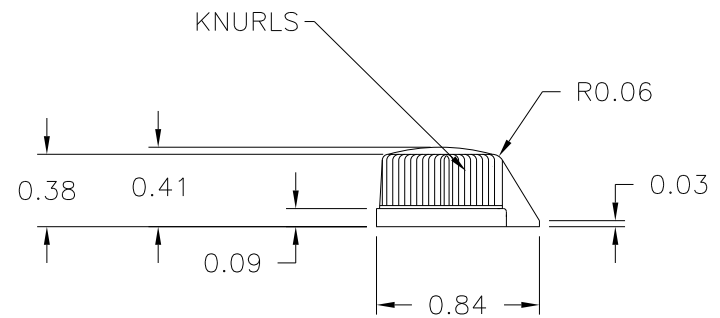
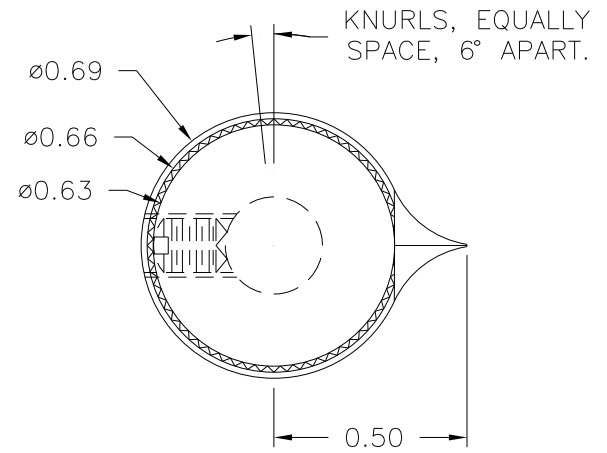
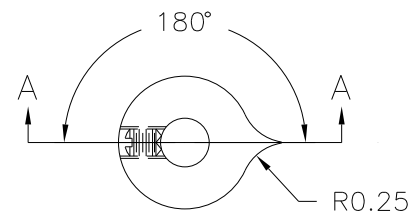
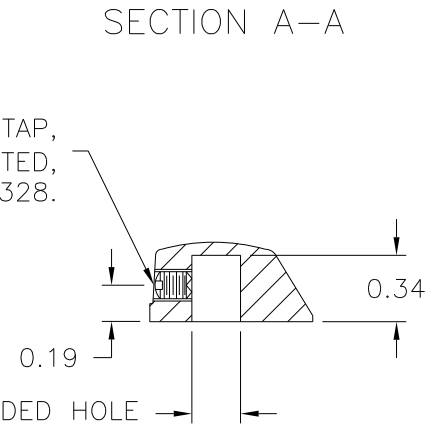


SCALE 2 : 1

(A)



USE #28 DRILL (0.140), #8-32 TAP, #8-32 X 3/16 LG. CUP POINTED, SLOTTED TYPE, SET SCREW I0328.



MATERIAL: #2300-13 PLENCO PHENOLIC (R23)
COLOR: RED

TOLERANCES: UNLESS OTHERWISE SPECIFIED	DO NOT SCALE DRAWING			
DECIMALS: X.XXX ± .005 X.XX ± .015	MM: X.XX ± 0.15MM X.X ± 0.4MM	A	ADDED BASE PART	JAM 6/18/14
FRACTIONS ± 1/64	ANG. ± 1°	CHANGES		