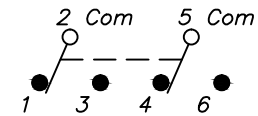
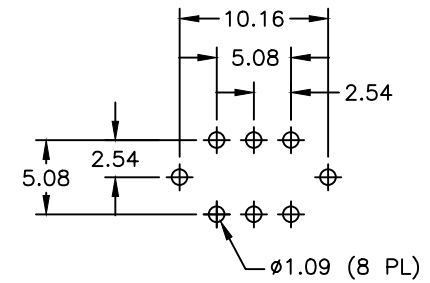
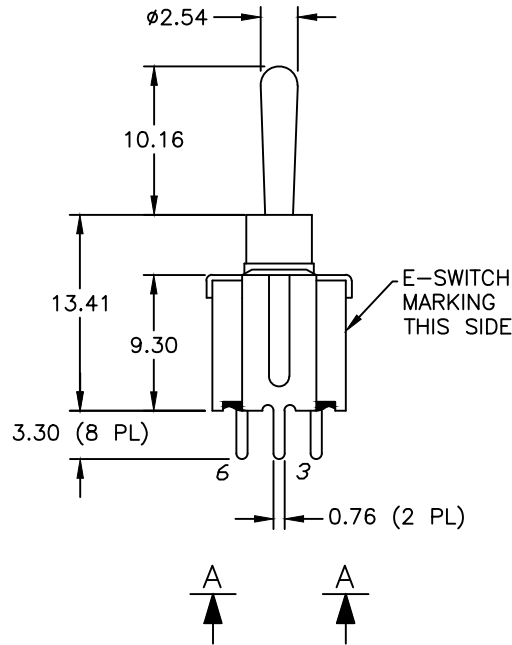
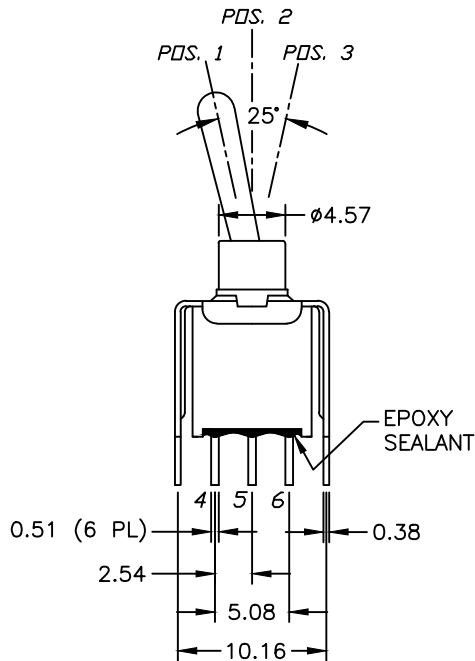


VIEW A-A
BRACKET NOT SHOWN



CIRCUIT: 2PDT



SWITCH FUNCTION		
PDS. 1	PDS. 2	PDS. 3
ON	OFF	ON
2-3, 5-6	OPEN	2-1, 5-4

NOTES:

- ALL DIMENSIONS IN MM [INCH]
- GENERAL TOLERANCE: X.X=±0.4
X.XX=±0.25
- TERMINAL NUMBERS FOR REF ONLY
- RATING: 3A @120VAC or 28VDC:
1A @250VAC
- FIXED TERM. & MOVING CONTACT:
COPPER ALLOY W/SILVER PLATE.
- ELECTRIC LIFE: 50,000 make-and-break cycles at full load.
- INSULATION RESISTANCE: 1,000 Mega-ohm min.
- DIELECTRIC STRENGTH: 1,000 V RMS @sea level.
- OPERATING TEMP.: -30°C to +85°C
- 2002/95/EC (ROHS) COMPLIANT.

B	18301	CHANGE BUSHING FROM A1 TO A2, REMOVE FLATS FROM BUSHING	10/29/08	BLR
A	12820	RELEASED FOR PRODUCTION	2/18/03	--
REV.	ECN No.	DESCRIPTION	DATE	CHKD

THE INFORMATION CONTAINED IN THIS DOCUMENT IS PROPRIETARY TO E-SWITCH AND IS NOT TO BE COPIED OR TRANSFERRED

TITLE 200A WMDP3 T1 A2 VS2 Q E				
SCALE 2:1	DATE 10/29/08	DR BLR	DWG T201328	REV B