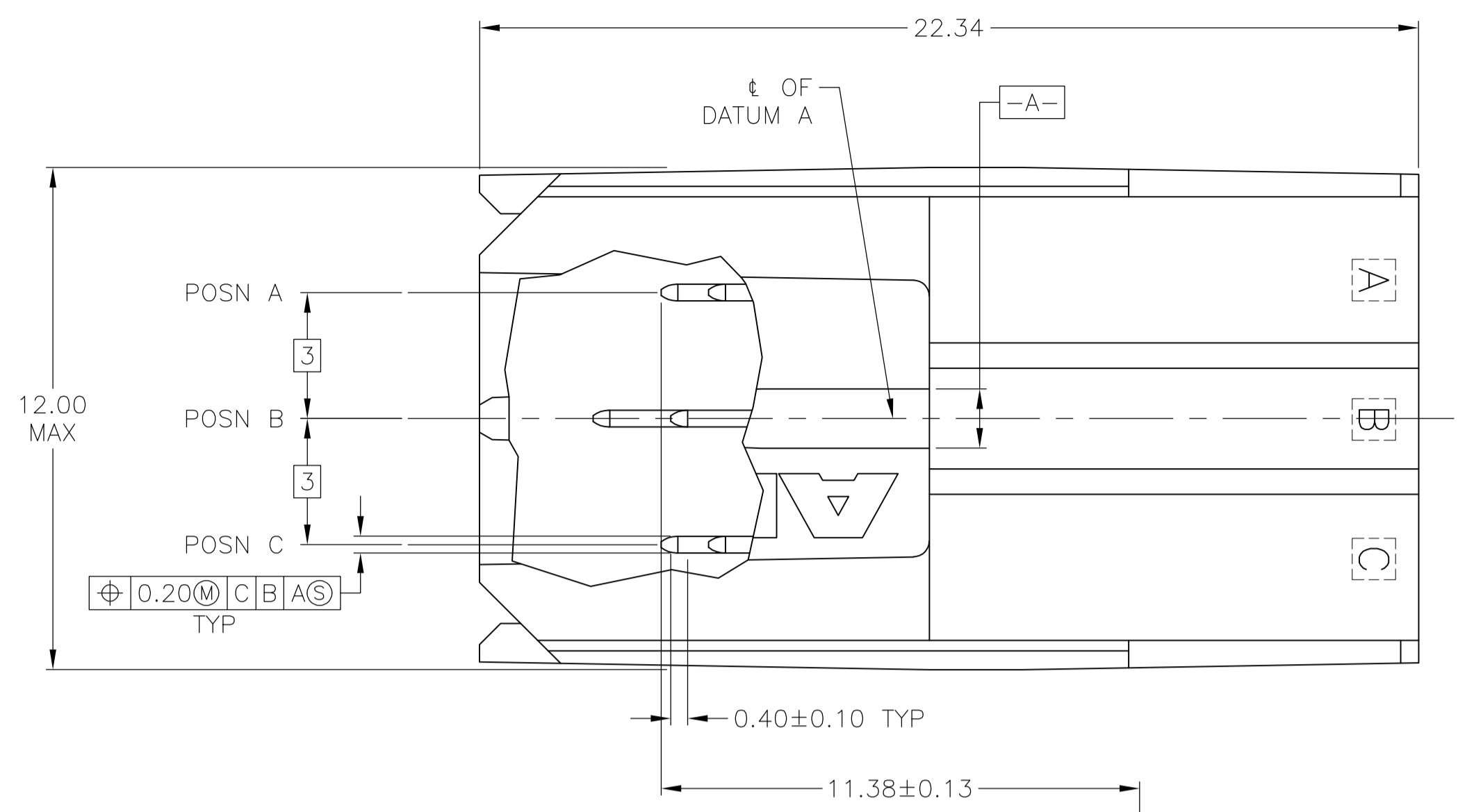
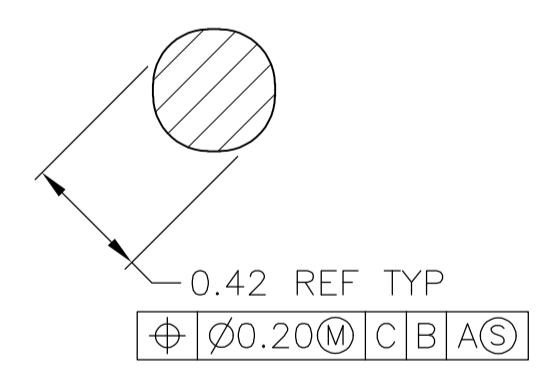
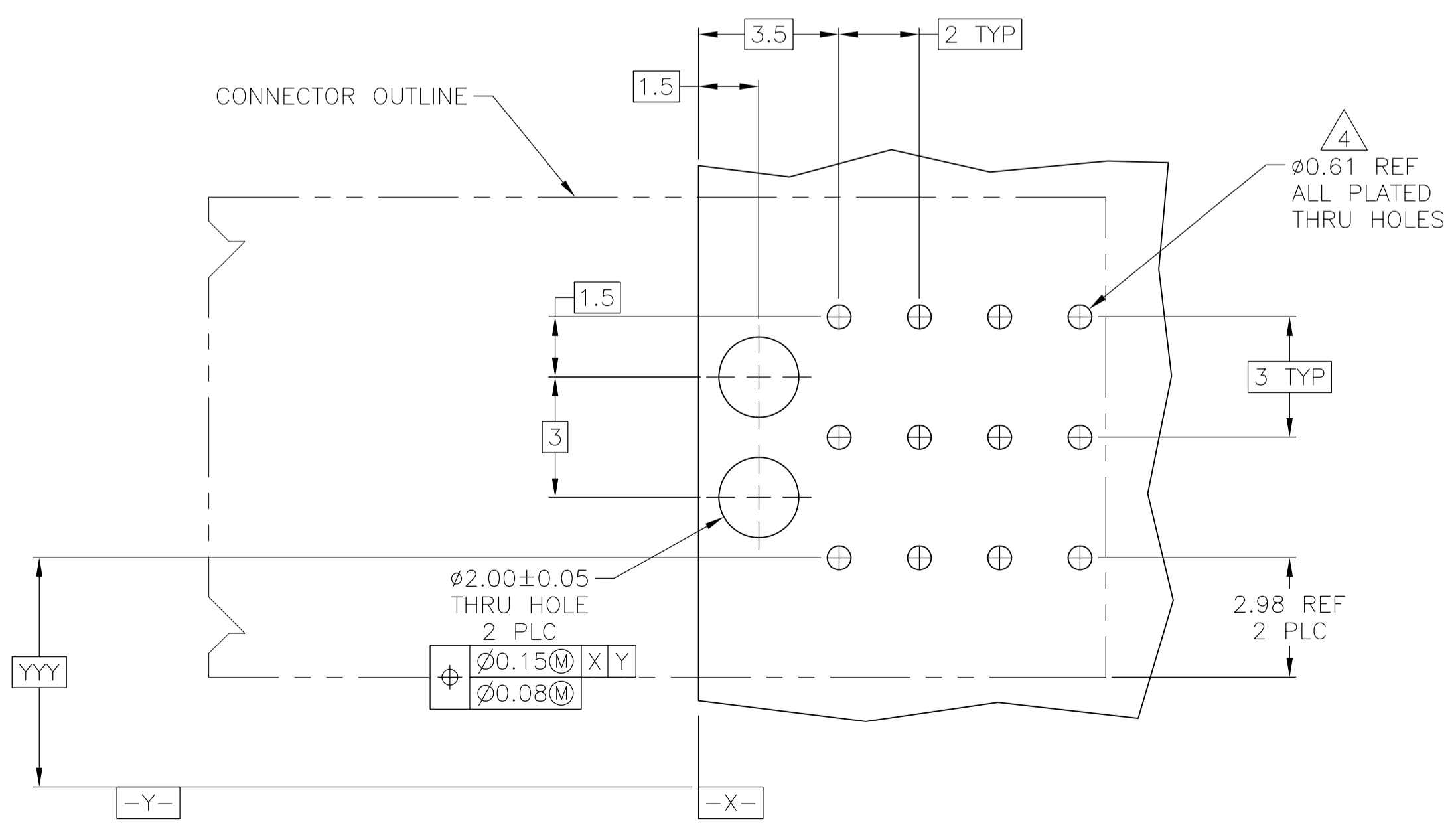
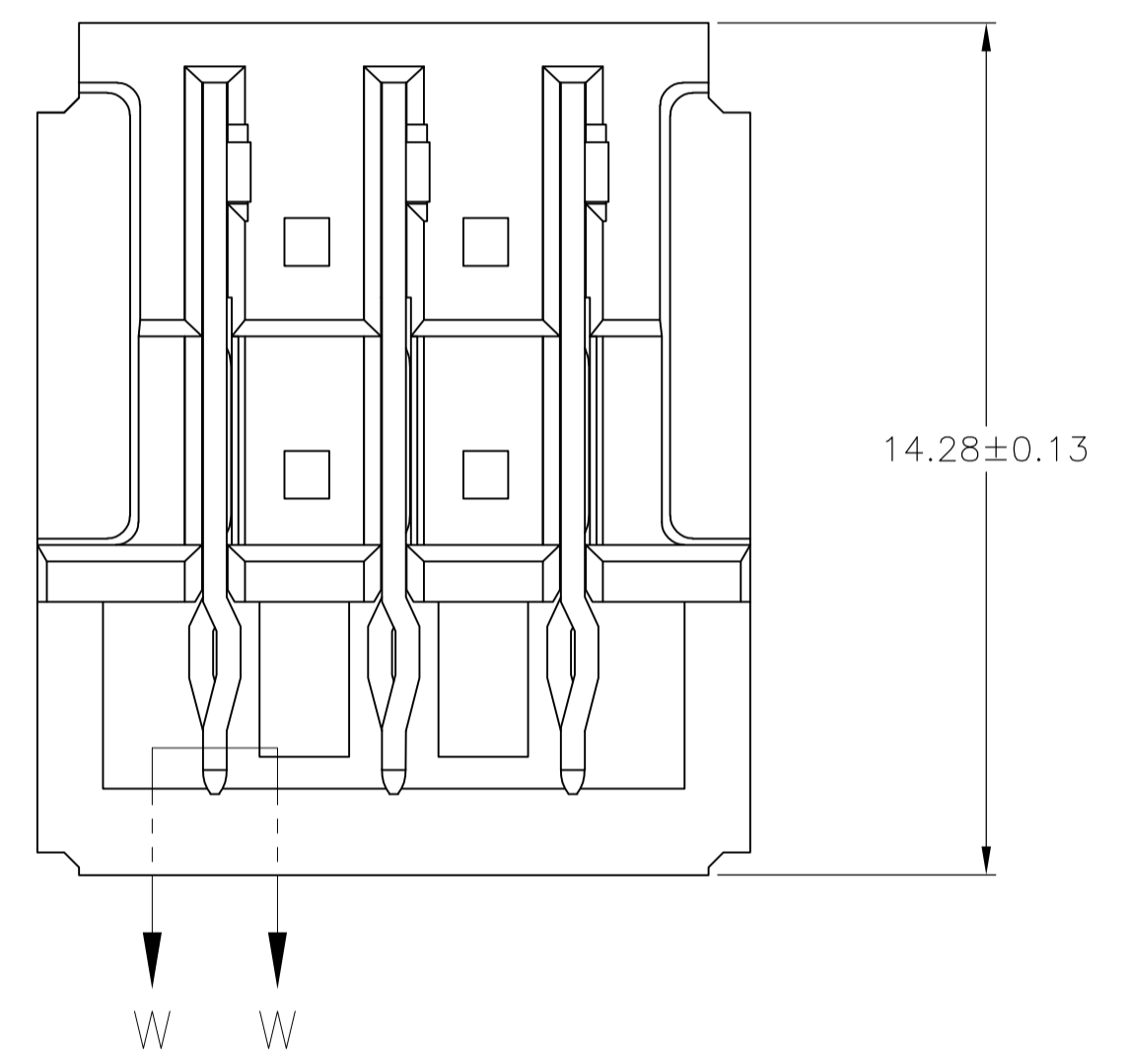
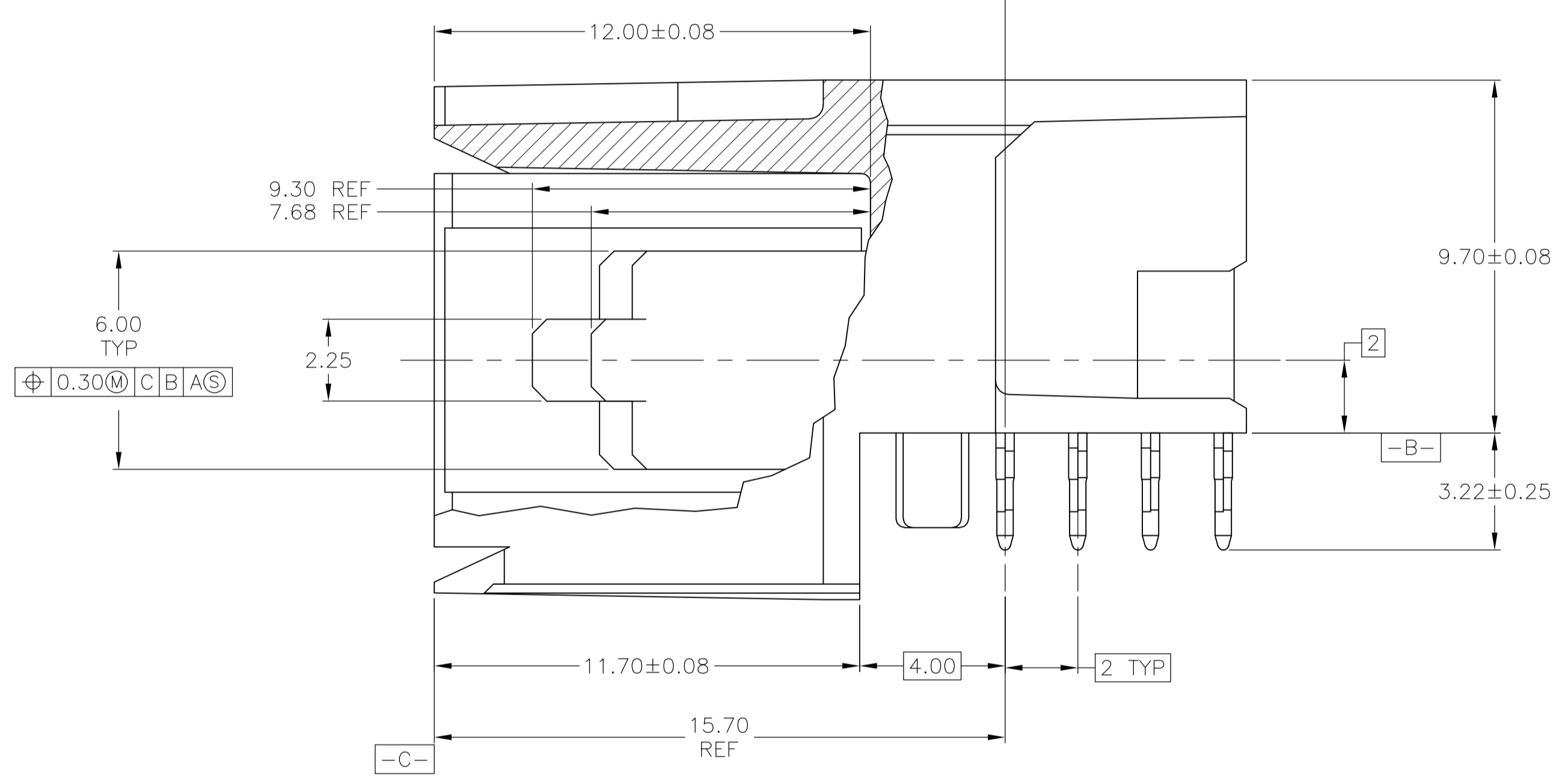
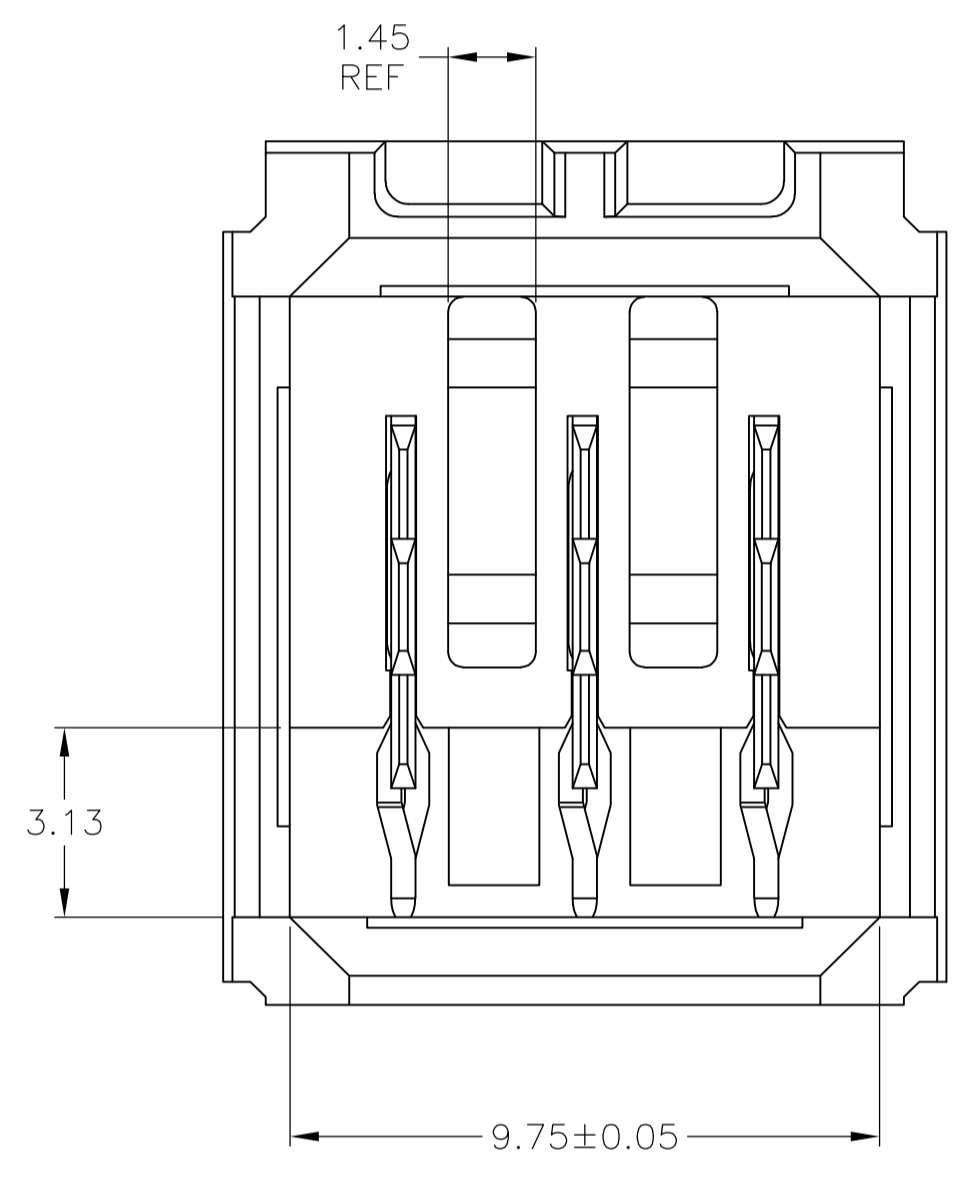


REVISONS		DATE	BY	APP'D
AD	00	05JAN11	DH	DY
C	REVISED PER ECO-11-000045			



- 1 HOUSING: POLYESTER, GRAY. UL 94V-0
CONTACT: PHOSPHOR BRONZE.
- 2 CONTACT: MATING AREA: 1.27µm MIN GOLD OR 0.08µm MIN GOLD OVER
0.76µm MIN PALLADIUM-NICKEL.
ACTION PIN AREA: 0.5µm MIN TIN PLATE,
ALL OVER 1.27µm MIN NICKEL UNDERPLATE.
- 3 CONTACT LUBRICATION WITH BELCORE APPROVED
LUBRICANT. TECHNICAL REFERENCE: TR-NWT-001217
ISSUE 1, SEPT 1992.
- 4 REFERENCE APPLICATION SPEC 114-1103 FOR
RECOMMENDED PLATED THRU HOLE DIAMETER AND
PLATING THICKNESS.
- 5 CURRENT RATING 10A/CONTACT PER PRODUCT SPEC 108-1651.



SECTION W-W
SCALE 40:1

RECOMMENDED PCB HOLE LAYOUT

5223983-1
PART NUMBER

THIS DRAWING IS A CONTROLLED DOCUMENT.		DWG: B. CARDO 130EC04	Tyco Electronics Corporation Harrisburg, PA 17105-3608	
DIMENSIONS: mm		CHK: R. PATTERSON 130EC04	NAME: R. PATTERSON 130EC04	
TOLERANCES UNLESS OTHERWISE SPECIFIED:		PRODUCT SPEC		
0. PLC ± -		APPLICATION SPEC		
1. PLC ± 0.13		SIZE: A1		
2. PLC ± 0.13		CAGE CODE: 5223983		
3. PLC ± -		DRAWING NO: 5223983		
4. PLC ± -		RESTRICTED TO: -		
ANGLES ± -		WEIGHT: -		
MATERIAL: 1		CUSTOMER DRAWING		
FINISH: 2, 3		SCALE: 8:1		
		SHEET: 1 OF 1		
		REV: C		