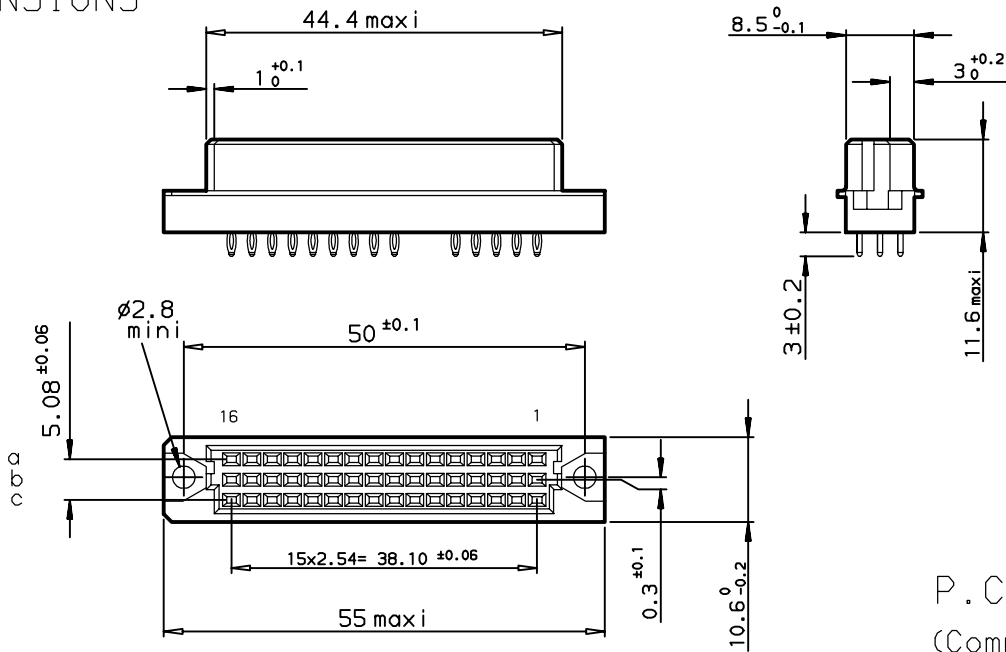


DIMENSIONS



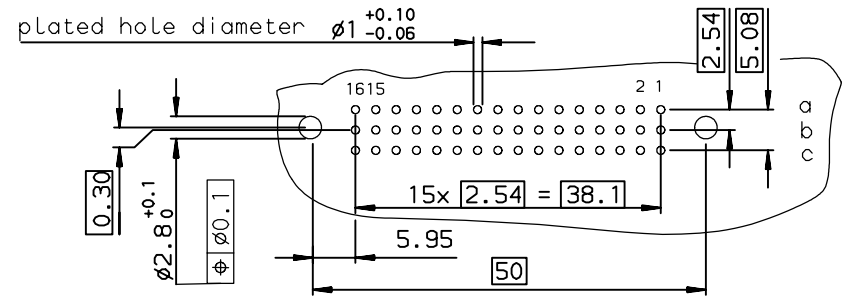
TIN LEAD PART NUMBER

PART NUMBER
86093428394750759E3

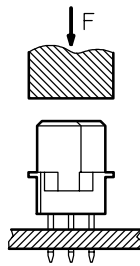
LEAD FREE PART NUMBER

PART NUMBER
86093428394750CILF

P.C. CARD DRILLING
(Component side view)



METHOD OF INSERTION
ON THE PCB = FLAT ROCK



GENERAL CHARACTERISTICS AND ROHS INFORMATIONS:

SEE DRAWING C-8609-0000C

European Views

SPECIFICATION 759 = no contact in position : row:a-b-c cavities 6-7
OR SPECIFICATION CI =

www.fciconnect.com		surface ISO 1302	tolerance std ISO 406 ISO 1101	projection mm	size A3	Scale 1.5
TOLERANCES UNLESS OTHERWISE SPECIFIED						
Dr	ROUILLARD	1998/03/06	ANGULAR	0.X ±0.1	size	Scale
Eng	TARON	1998/03/06	LINEAR	0.XX ±0.1	ECN	L506-0095
Chr	LEGARE	1998/03/06	0.XX' ±2'	0.XXX ±0.1	Spec ref	-
Appr	LEGARE	1998/03/06	Product family	DIN 8609		
FCI			STANDARD FEMALE 3 ROW		dwg no	Rev.
			42 CONTACTS		C-8609-0695	C
catalog no					CUSTOMER	sheet 1 of 1

rev	ecn no	dr	date
A	-	ROU	1998/03/06
B	L505-004	JTA	2005/02/26
C	L506-0095	LGO	2006/06/24
-	-	-	-
-	-	-	-
-	-	-	-