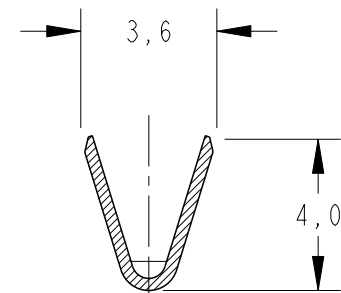
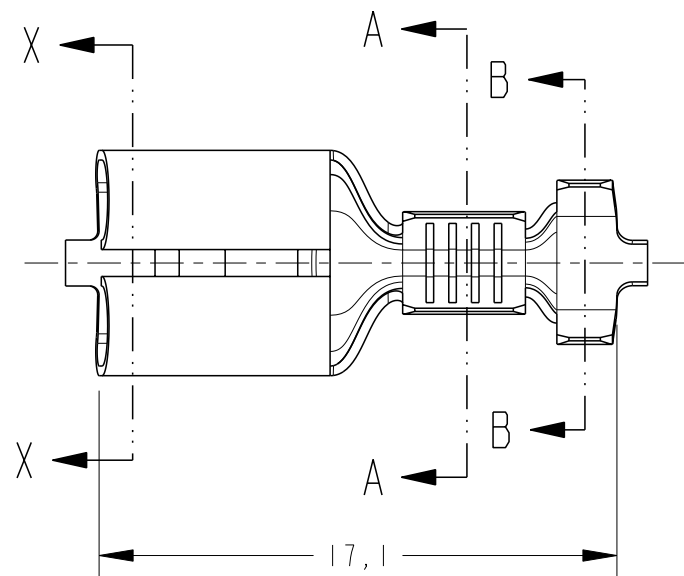


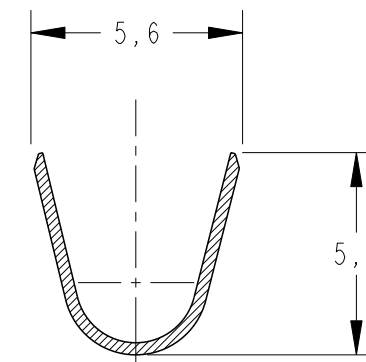
LOC AP DIST -

REVISIONS

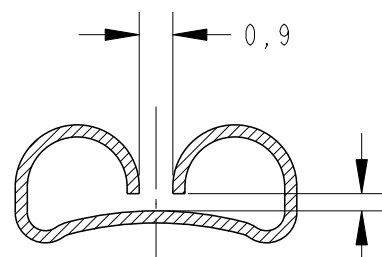
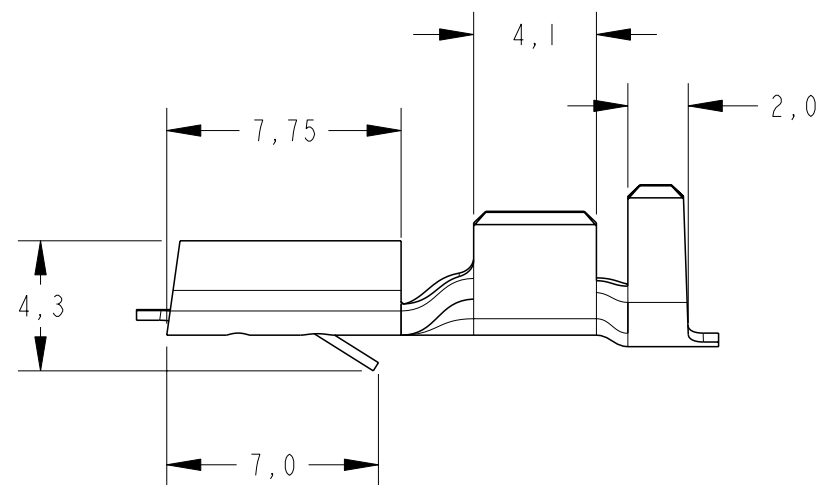
P	LTR	DESCRIPTION	DATE	DWN	APVD
	F3	REDRAW BY CAD ECO-12-014149	27AUG2012	NCL	DAO



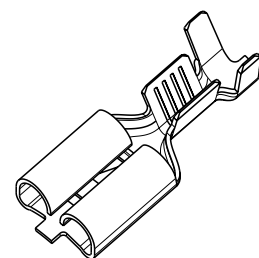
SECTION A-A SCALE 5:1



SECTION B-B SCALE 5:1



SECTION X-X SCALE 5:1



PERSPECTIVE VIEW SCALE 2:1

PARA LINGUETA 0,8mm de ESPESSURA FOR 0,8mm TAB

OBSOLETE	PRATEADO/SILVER PLATED	BRONZE FOSF./PHOSP BRONZE	735222 -6
OBSOLETE	PRATEADO/SILVER PLATED	LATÃO / BRASS	735222 -5
OBSOLETE	ESTANHADO / TIN PLATED	BRONZE FOSF./PHOSP BRONZE	735222 -4
	—	BRONZE FOSF./PHOSP BRONZE	735222 -3
	ESTANHADO / TIN PLATED	LATÃO / BRASS	735222 -2
	—	LATÃO / BRASS	735222 -1
	FINISH	MATERIAL	PART NUMBER

INS. RANGE	WIRE RANGE
∅ 3,0-4,3mm	1,0-2,5mm ²

THIS DRAWING IS A CONTROLLED DOCUMENT.

DWN NCLAPRESA 13JUL2012
 CHK JRGOLDSCHMIDT 13JUL2012
 APVD DAOLIVEIRA 13JUL2012

NAME: **TE Connectivity**

PRODUCT SPEC: 108-37015
 APPLICATION SPEC: 114-18022

SIZE: A3 CAGE CODE: 00779 DRAWING NO: 735222 RESTRICTED TO: -

MATERIAL: SEE TABLE FINISH: SEE TABLE WEIGHT: -

CUSTOMER DRAWING SCALE: - SHEET: 1 OF 1 REV: F3