

THIS DRAWING IS UNPUBLISHED. RELEASED FOR PUBLICATION 147291, 147291
 © COPYRIGHT 147291By - ALL RIGHTS RESERVED.

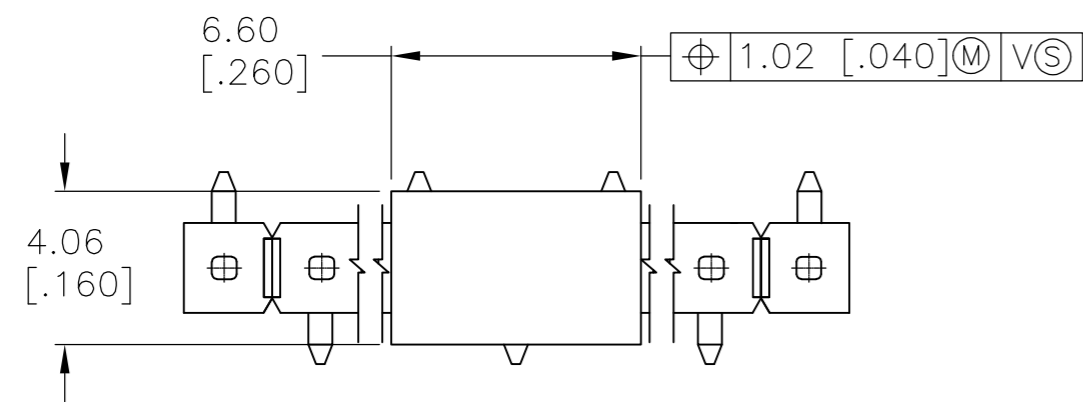
LOC		DIST		REVISIONS			
P	LTR	DESCRIPTION	DATE	DWN	APVD		
	L1	REVISED PER ECO-15-011938	21AUG2015	NK	MM		

D

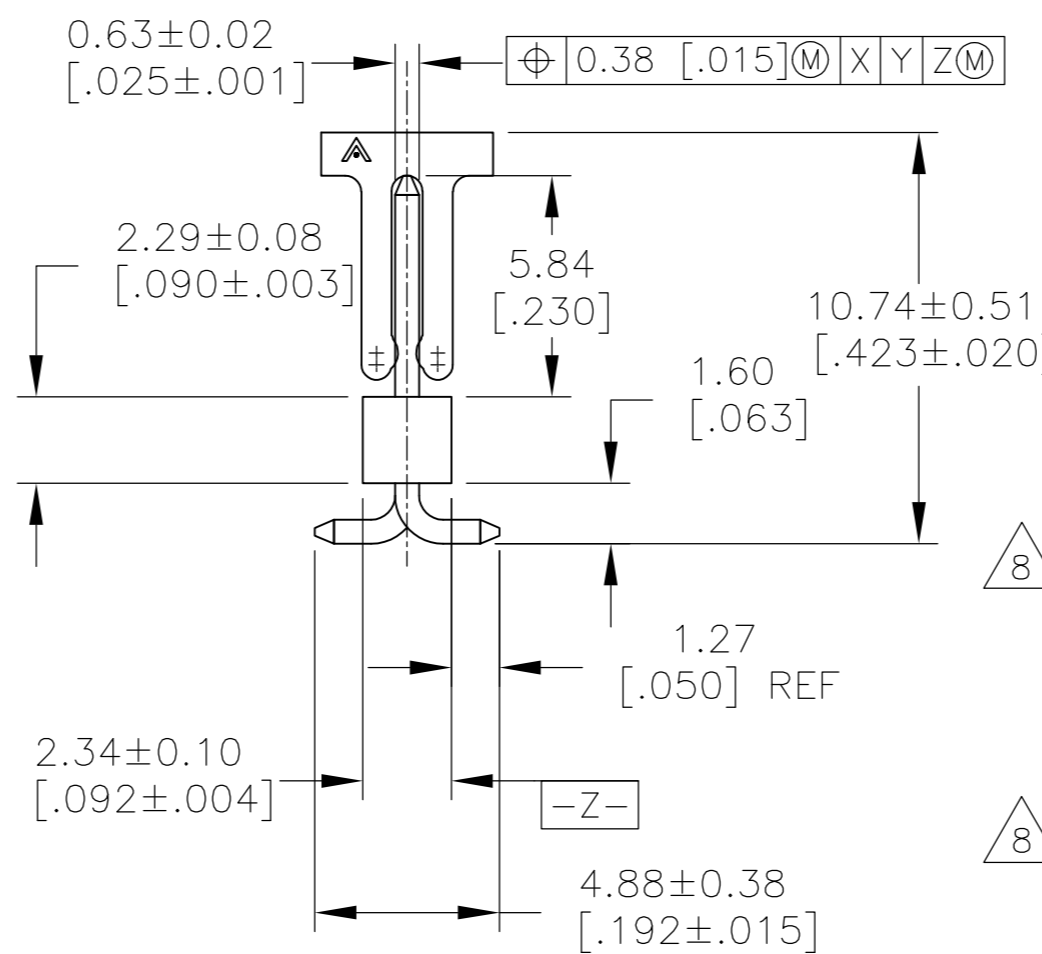
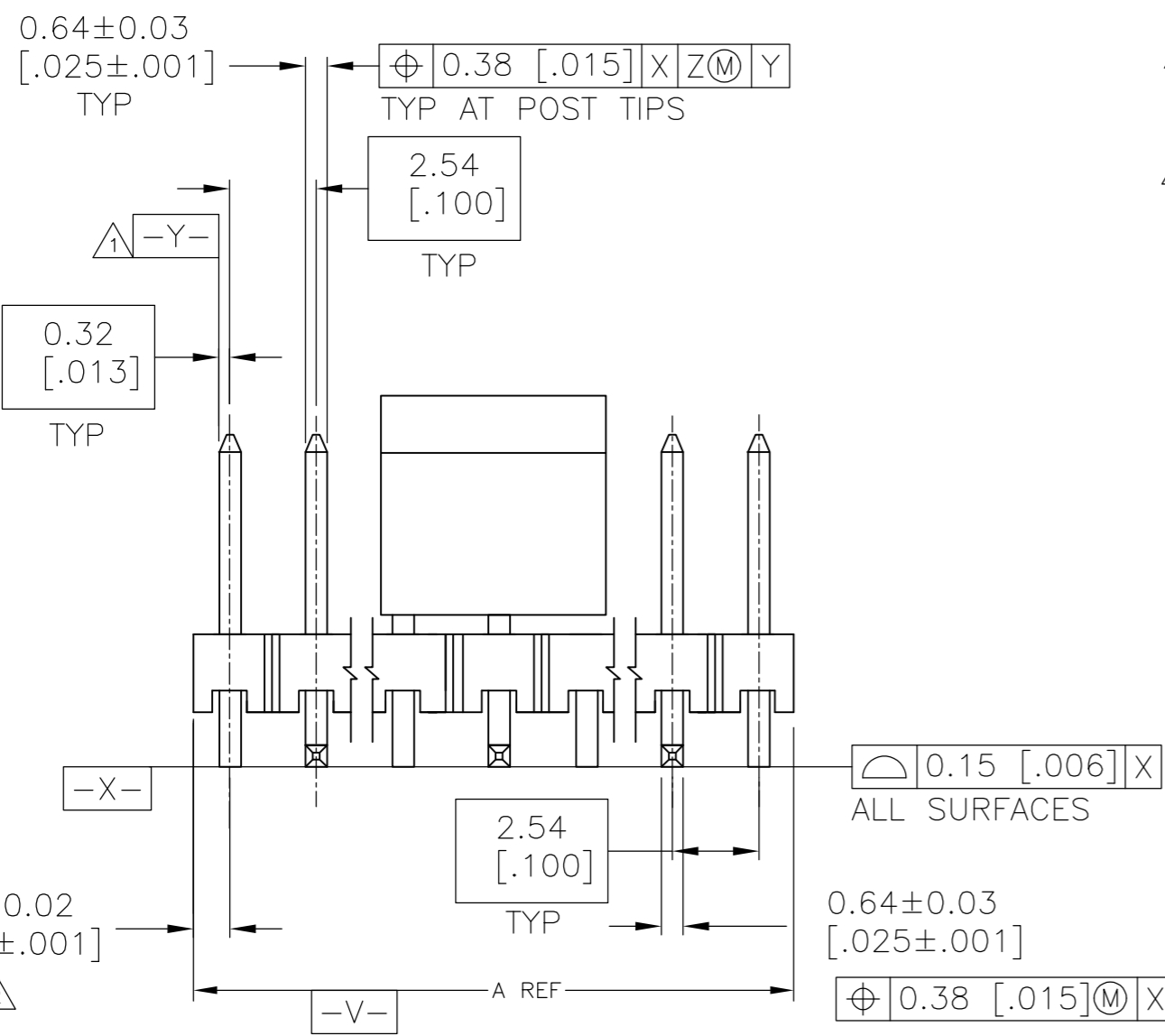
C

B

A

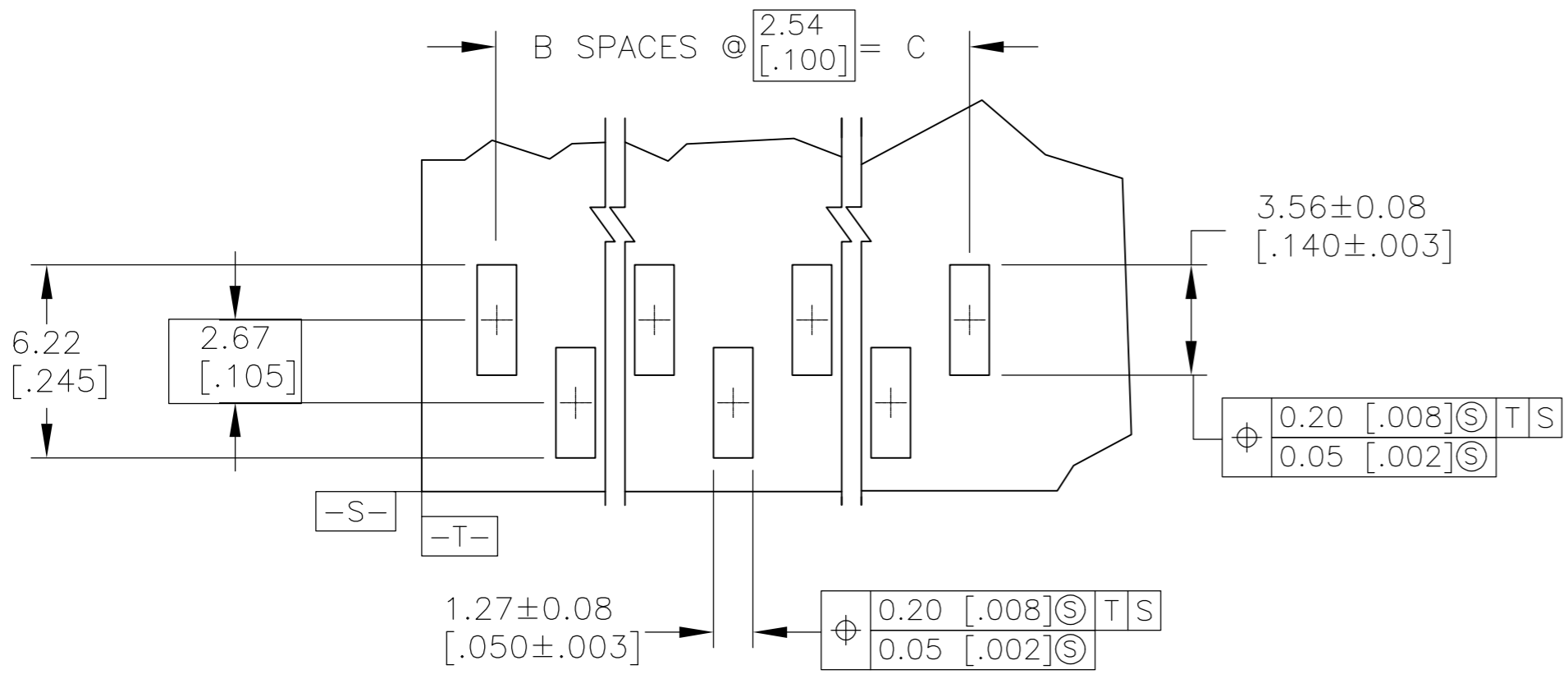


- 1 $\{-Y-\}$ SHALL BE THE INTERSECTION OF THE POST AND HOUSING
- 2 THE NOTED DIMENSIONS APPLY AT THE INTERSECTION OF THE POST AND THE HOUSING.
- 3 0.00254[.000100]-0.00508[.000200] MATTE TIN-LEAD OVER 0.00127[.000050] NICKEL ENTIRE POST.
- 4 HOUSING: LCP, COLOR-BLACK.
POST: COPPER ALLOY.
PICK AND PLACE CAP: PPA, COLOR-BLACK.
- 5 PACKAGED IN TAPE AND REEL PER EIA-481 SPECIFICATIONS.
SEE TABLE FOR TAPE WIDTHS.



- 6 PRELIMINARY PART NUMBER - NOT RELEASED FOR PRODUCTION
- 7 0.00254[.000100]-0.00508[.000200] MATTE TIN OVER 0.00127[.000050] NICKEL ENTIRE POST.
- 8 OBSOLETE PARTS: OBSOLETE CIS STREAMLINING PER D.RENAUD/D.SINISI

6	7	56MM	35.56 [1.400]	14	37.69 [1.484]	15	6-147291-3
6	7	56MM	33.02 [1.300]	13	35.15 [1.384]	14	6-147291-2
6	7	56MM	30.48 [1.200]	12	32.61 [1.284]	13	6-147291-1
6	7	56MM	25.4 [1.000]	10	27.53 [1.084]	11	6-147291-0
6	7	56MM	22.86 [.900]	9	24.99 [.984]	10	5-147291-9
6	7	32MM	10.16 [.400]	4	12.29 [.484]	5	5-147291-8
6	7	32MM	12.70 [.500]	5	14.83 [.584]	6	5-147291-7
8	7	24MM	7.26 [.300]	3	9.75 [.384]	4	5-147291-6
8	7	24MM	5.08 [.200]	2	7.21 [.284]	3	5-147291-5
8	7	56MM	27.94 [1.100]	11	30.07 [1.184]	12	5-147291-4
6	7	44MM	20.32 [.800]	8	22.45 [.884]	9	5-147291-3
6	7	44MM	17.78 [.700]	7	19.91 [.784]	8	5-147291-2
8	7	44MM	15.24 [.600]	6	17.37 [.684]	7	5-147291-1
8	3	24MM	7.26 [.300]	3	9.75 [.384]	4	147291-6
6	3	24MM	5.08 [.200]	2	7.21 [.284]	3	147291-5
6	3	56MM	27.94 [1.100]	11	30.07 [1.184]	12	147291-4
OBSOLETE	3	56MM	22.58 [.900]	9	27.53 [1.084]	10	147291-3
OBSOLETE	3	44MM	17.78 [.700]	7	19.91 [.784]	8	147291-2
8	3	44MM	15.24 [.600]	6	17.37 [.684]	7	147291-1



RECOMMENDED PCB LAYOUT FOR USE WITH 0.20[.008] THICK STENCIL

THIS DRAWING IS A CONTROLLED DOCUMENT. DWN B. HAYMAKER 14JUN99
 CHK J. GESFORD 14JUN99
 APVD J. GESFORD 14JUN99

DIMENSIONS: mm [INCHES] TOLERANCES UNLESS OTHERWISE SPECIFIED:
 0 PLC ± -
 1 PLC ± -
 2 PLC ± -
 3 PLC ± 0.13 [.005]
 4 PLC ± -
 ANGLES ± -
 MATERIAL 4 FINISH SEE TABLE

PRODUCT SPEC: -
 APPLICATION SPEC: -
 WEIGHT: -
 CUSTOMER DRAWING

NAME: SURFACE MOUNT HEADER ASSEMBLY, MOD II, BREAKAWAY, VERTICAL, SINGLE ROW, .100 X .100 C/L, 025 SQ. POST, WITH PICK AND PLACE CAP
 SIZE: A2 CAGE CODE: - DRAWING NO: 147291 RESTRICTED TO: -
 SCALE: 5:1 SHEET: 1 OF 1 REV: L1

TE Connectivity