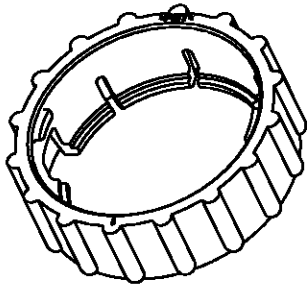
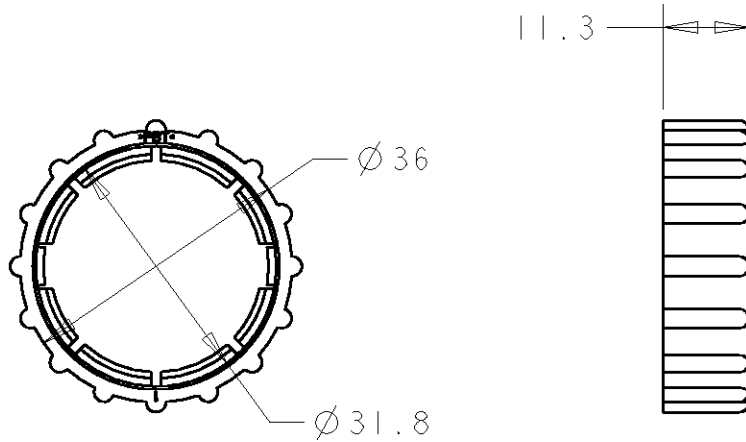


LOC	DIST	REVISIONS			
P	LTR	DESCRIPTION	DATE	DWN	APVD
ES	00	A	ECR-07-027210	13NOV2007	JM JZ



20

RELEASED FOR PUBLICATION

THIS DRAWING IS UNPUBLISHED.

© COPYRIGHT 20 BY TYCO ELECTRONICS CORPORATION. ALL RIGHTS RESERVED.

DIMENSIONS: mm	DWN JOHN MA	13NOV2007	MATERIAL	PBT	FINISH	-
	CHK SAM WU	13NOV2007	Tyco Electronics Harrisburg, PA 17105-3608			
TOLERANCES UNLESS OTHERWISE SPECIFIED:	APVD JULIAN ZHOU	13NOV2007				
0 PLC ±0.2	PRODUCT SPEC	-	NAME COUPLING RING MINI UNIVERSAL MNL, CPC			
1 PLC ±0.2	APPLICATION SPEC	-	SIZE	CAGE CODE	DRAWING NO	RESTRICTED TO
2 PLC ±0.2	WEIGHT	-	A4	00779	C=1971060	-
3 PLC ±-			CUSTOMER DRAWING			
4 PLC ±-			SCALE	SHEET	OF	REV
ANGLES ±-			1:1	1	1	A

