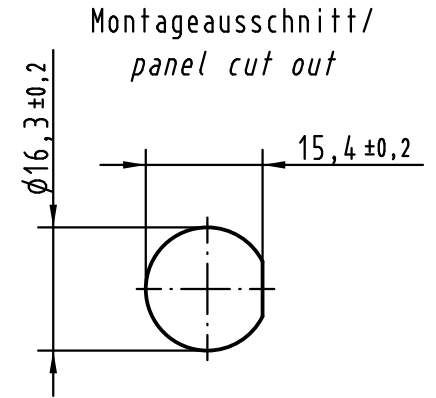
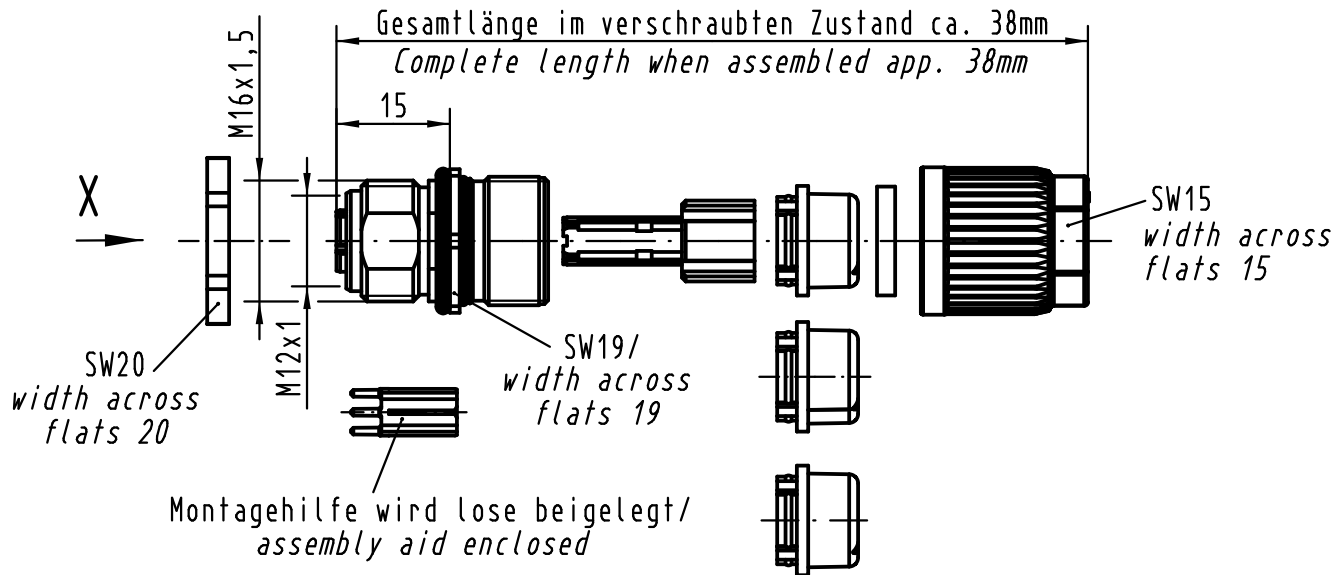


A

B

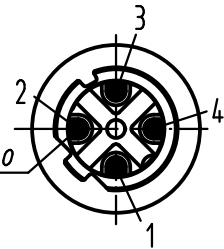
C

D



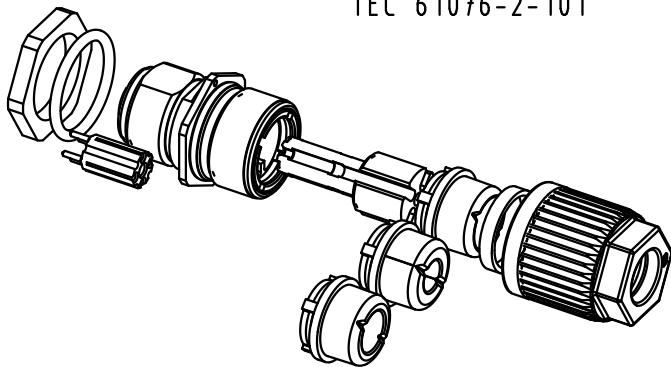
Montagehilfe wird lose beigelegt/
assembly aid enclosed

X (2:1)



Steckgesicht n.
Contact face acc. to
IEC 61076-2-101

Crimpkontakte separat bestellen
Order contacts separately



| Kabelø / Cableø | | | Leiterquerschnitt | Bestell-Nr. |
|--------------------|-------------|-----------|-------------------|----------------|
| Wire gauge | | | Part-No. | |
| 5,5-7,2mm | 4,5-5,4mm | 7.0-8.8mm | AWG 26-22 | 09 67 000 5476 |
| Dichtung / Sealing | | | AWG 24-20 | 09 67 000 8476 |
| schwarz/black | transparent | beige | | |

| All Dimensions in mm Original Size DIN A 4 | | | Techn. Character. | | | Nicht tolerierte Maß/Free size tolerances | |
|---|----------|------|-----------------------------------|-------------|---------------|--|--|
| | | | Dat. | Name | Maßstab/Scale | M12 crimp WDF geschirmt, Buchse, 4-polig, D-kodiert Panel feed through shielded, female, 4-pole, D-coded | |
| | | | Detail. | 29.08.07 Ho | | | |
| | | | Insp. | SUN | 1:1 | TB 21 03 882 2425 | |
| | | | Stand. | | | | |
| EC03243 | 20.05.11 | DY | HARTING Electronics GmbH & Co. KG | | | Sub. | |
| EC02795 | 28.01.11 | DY | D-32339 ESPELKAMP | | | | |
| EC01106 | 23.11.09 | DY | | | | Blatt/ page | |
| Mod. | Dat. | Name | | | | | |