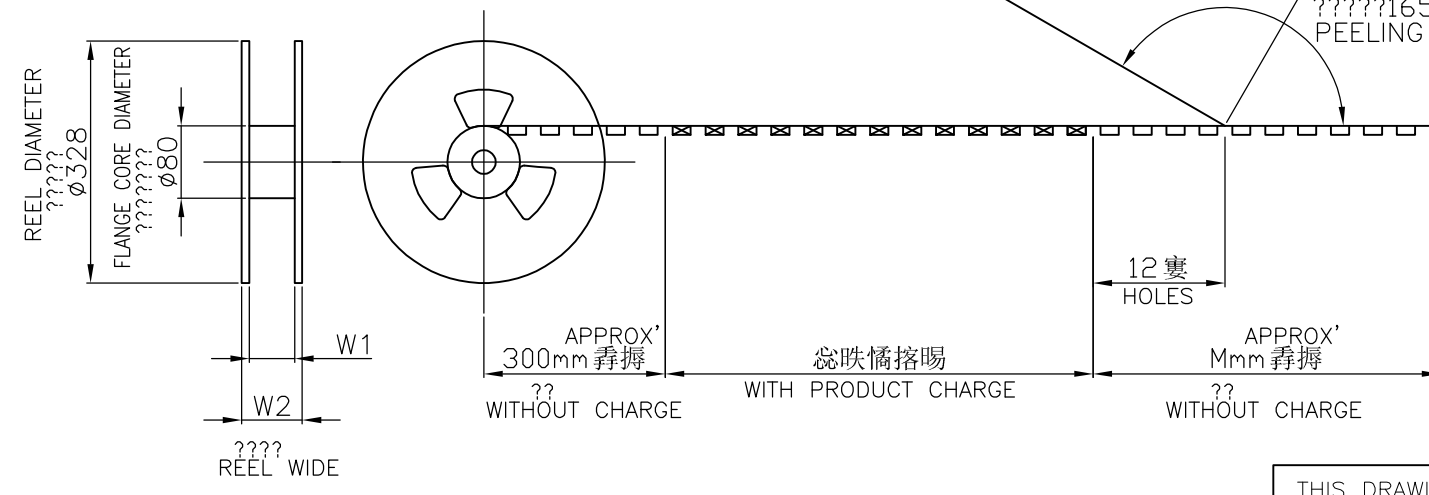
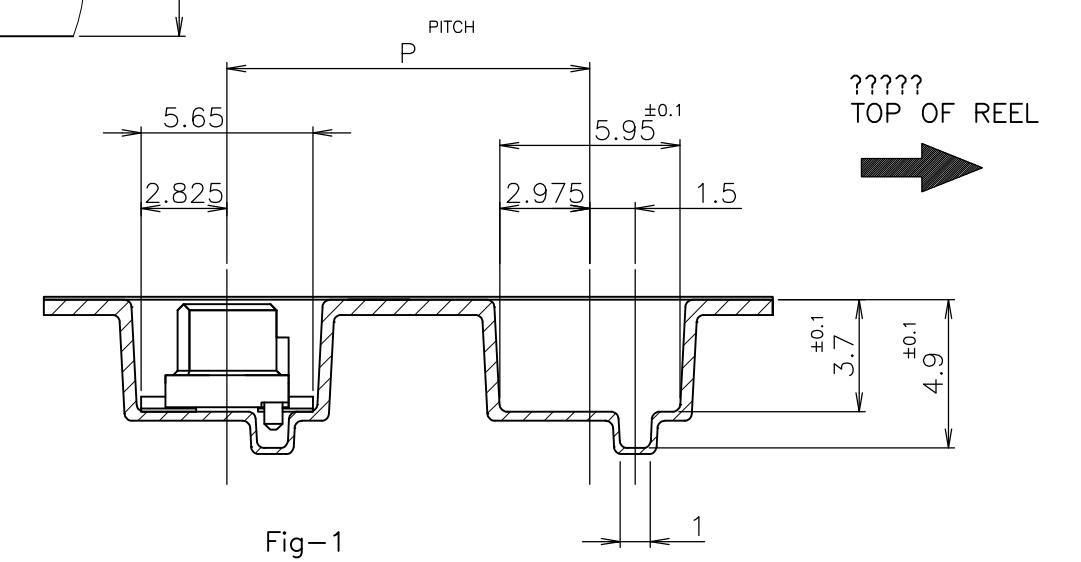
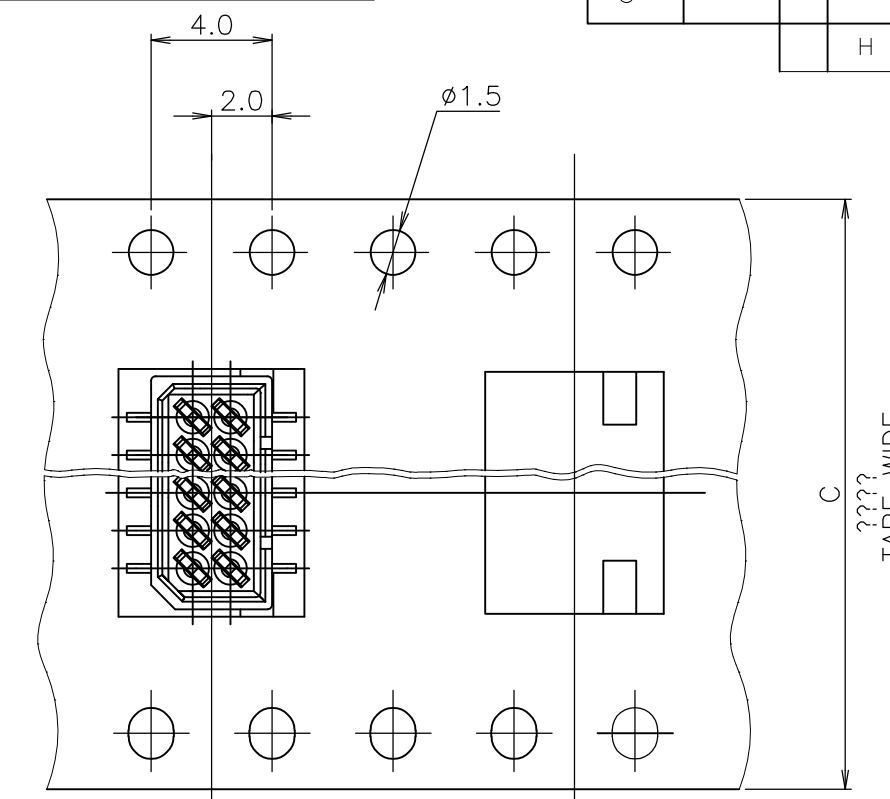
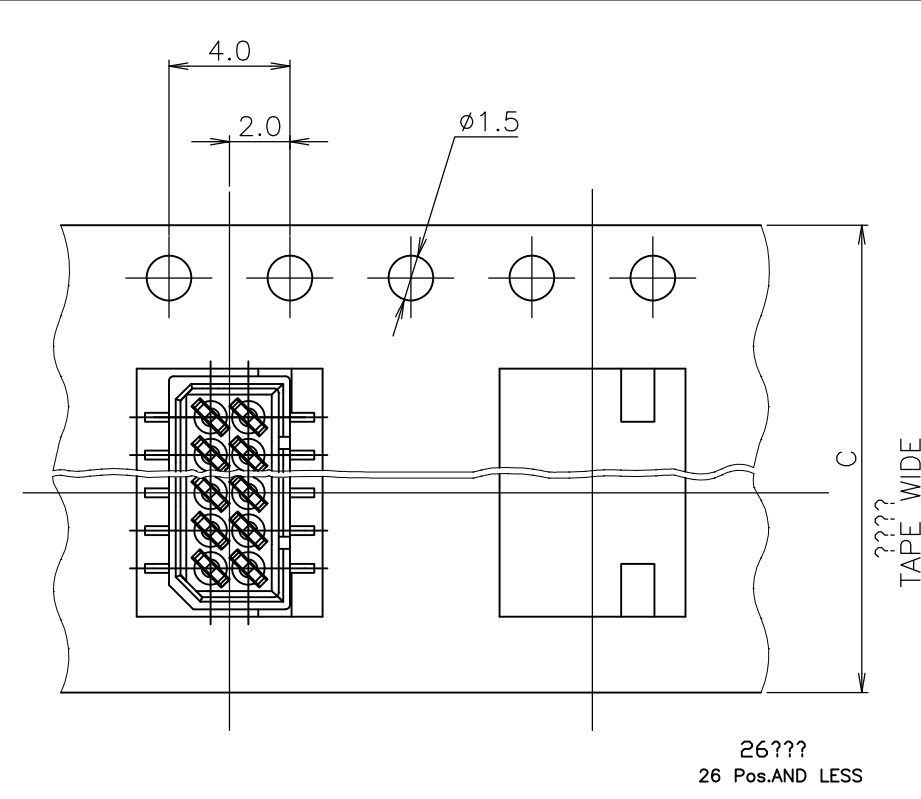


THIS DRAWING IS UNPUBLISHED. RELEASED FOR PUBLICATION  
 © COPYRIGHT By - ALL RIGHTS RESERVED.

LOC	DIST	REVISIONS					
J		P	LTR	DESCRIPTION	DATE	DWN	APVD
		H	REVISED	ECR-14-010014	20NOV2014	I.T	W.H



WEEDING THE COVER TAPE AROUND THE OUTER PERIPHERY IN A TURN.  
 修繕用焼用機  
 剥離角  
 PEELING ANGLE.

OBSOLETE	37	34			32		30	3-912050-0	6	-0	6	-0
OBSOLETE							26	3-912052-6	5	-6	5	-6
OBSOLETE							24	2- -6	5-	-4	5-	-4
OBSOLETE							22	2 5 5	2	5	2	5
	29	26	600	12	24	1000	16	720999-9	4-176311-6		4-176313-6	
	W <sub>2</sub>	W <sub>1</sub>	M	P	C	QTY/REEL	Pos.	EMBOSS TAPE P/N	CONNECTOR P/N		TAPING P/N	

THIS DRAWING IS A CONTROLLED DOCUMENT.

DWN: S.KANEKI 27JUL89  
 CHK: J.TANIGAWA 26JUL89  
 APVD: N.ONOUE 27JUL89

TE Connectivity

ON TAPING (EMBOSS) 1.25 F-P CONNECTOR (B-TO-B)  
 DOUBLE ROW REC HDR ASS'Y (V)  
 SMT TYPE WITH BOSS-INPROBE

SIZE: A3 CAGE CODE: 00779 DRAWING NO: C-176313 RESTRICTED TO: -

SCALE: NON SHEET: 1 OF 1 REV: H

NOTES:  
 PACKING SPEC : 107-5123-1