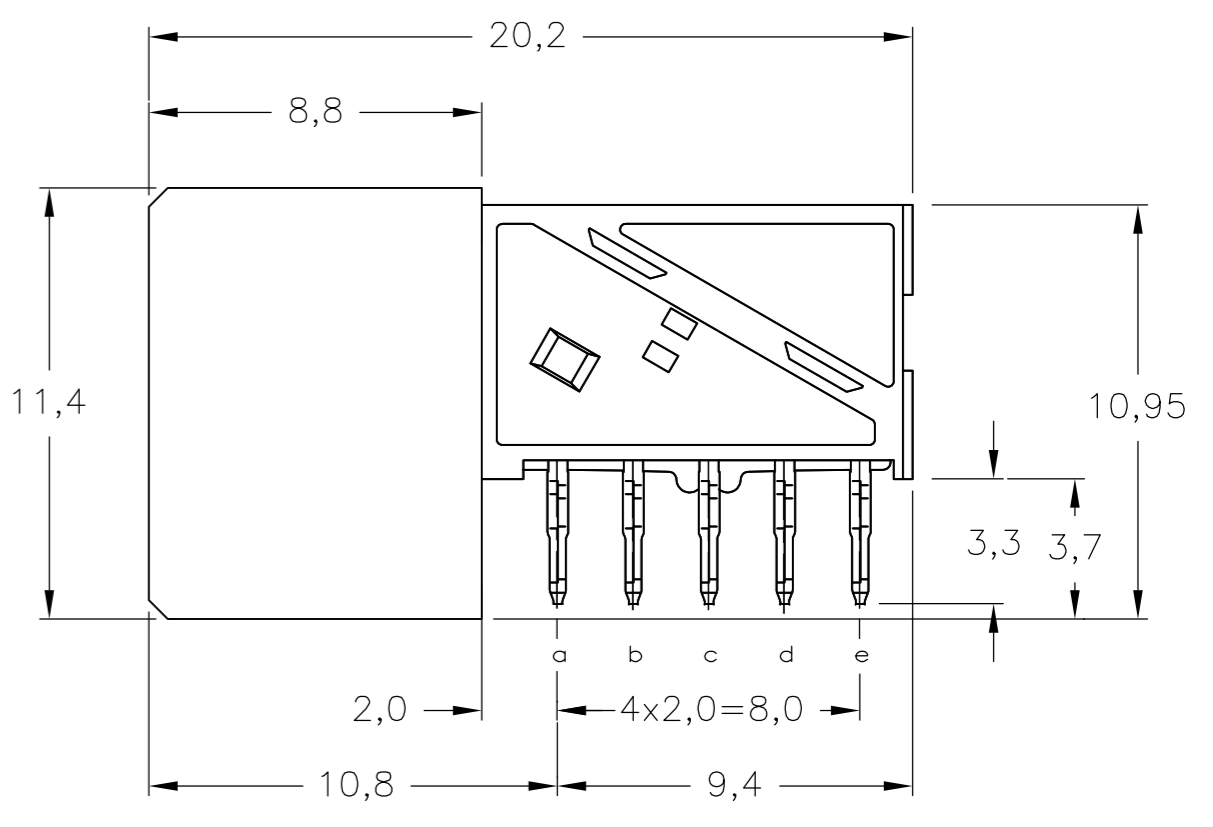
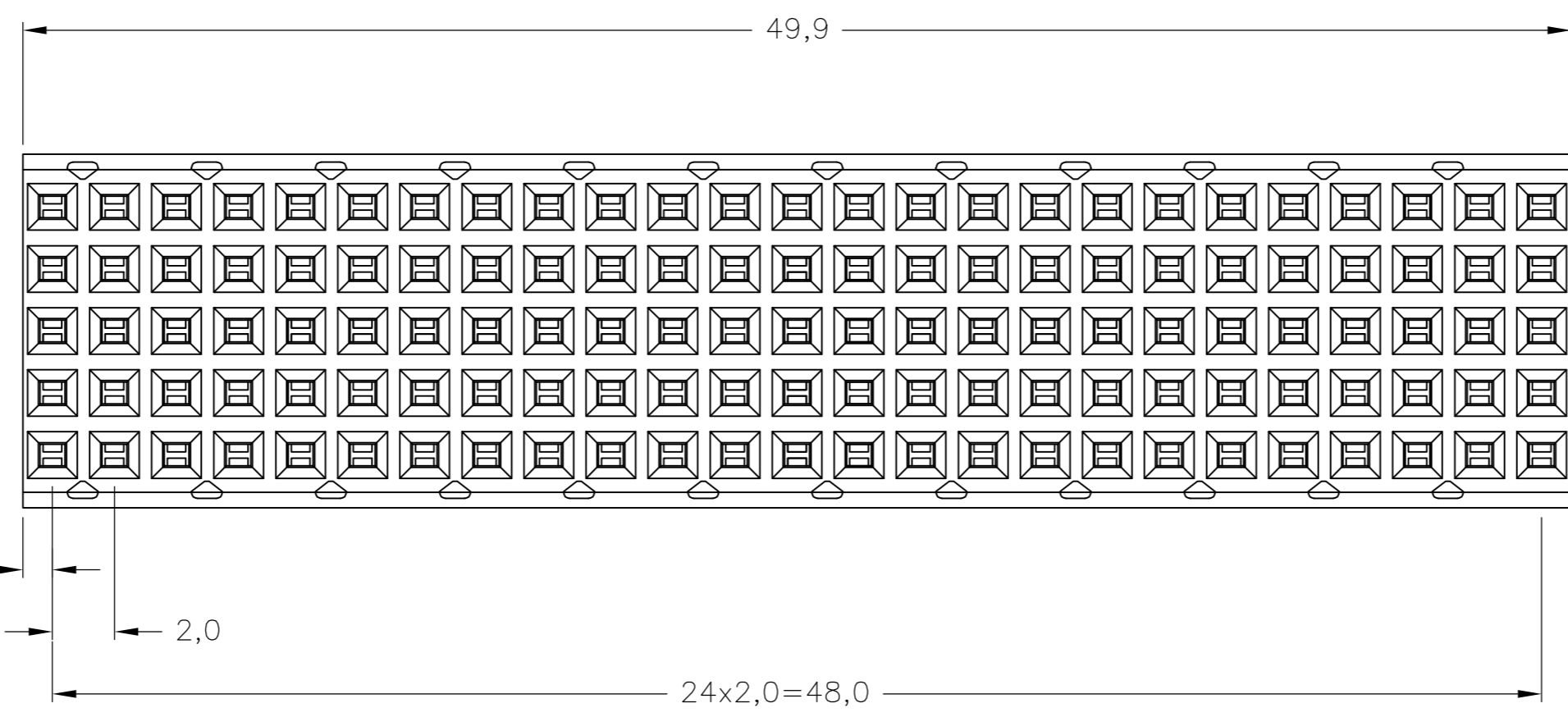
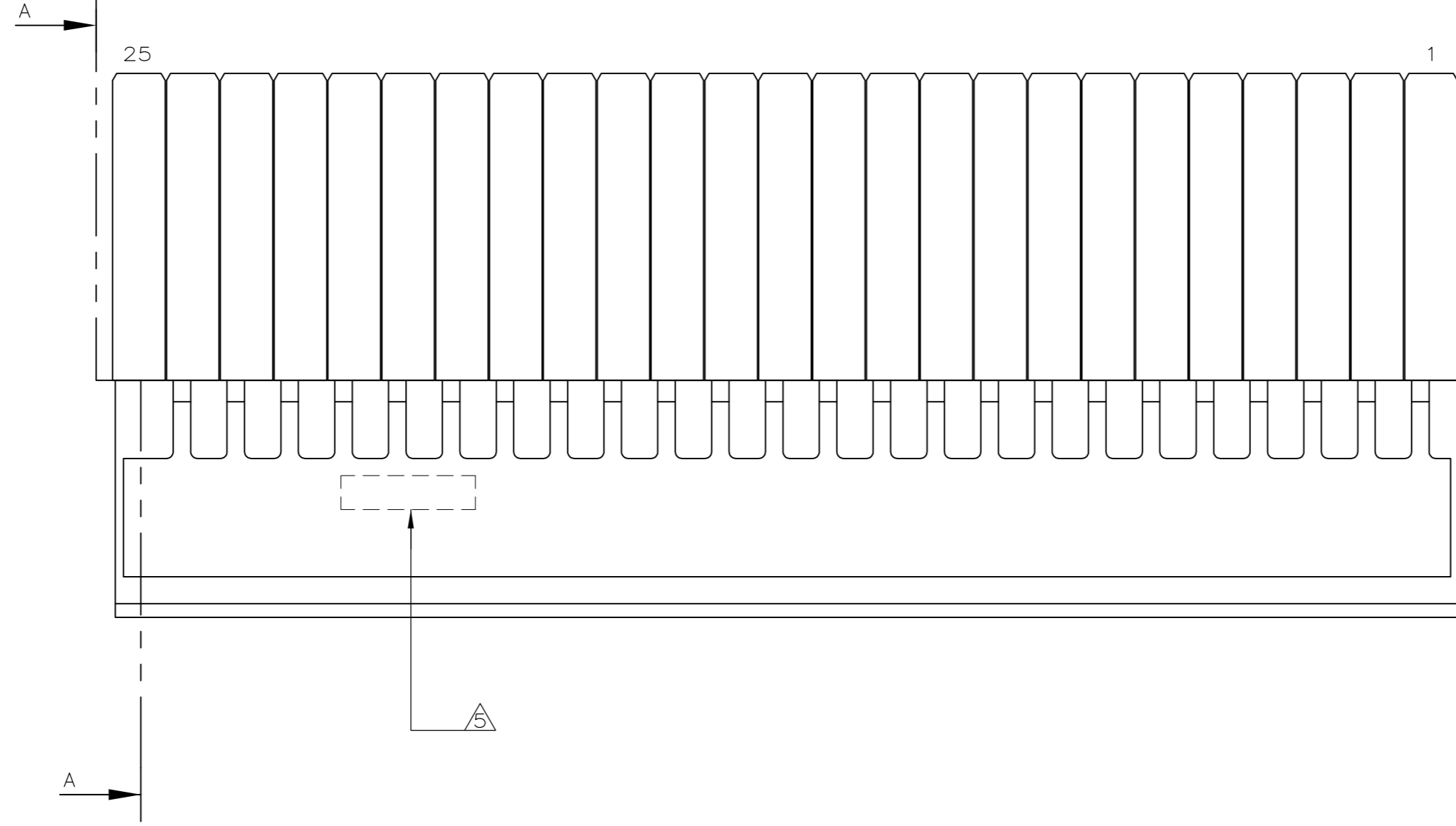
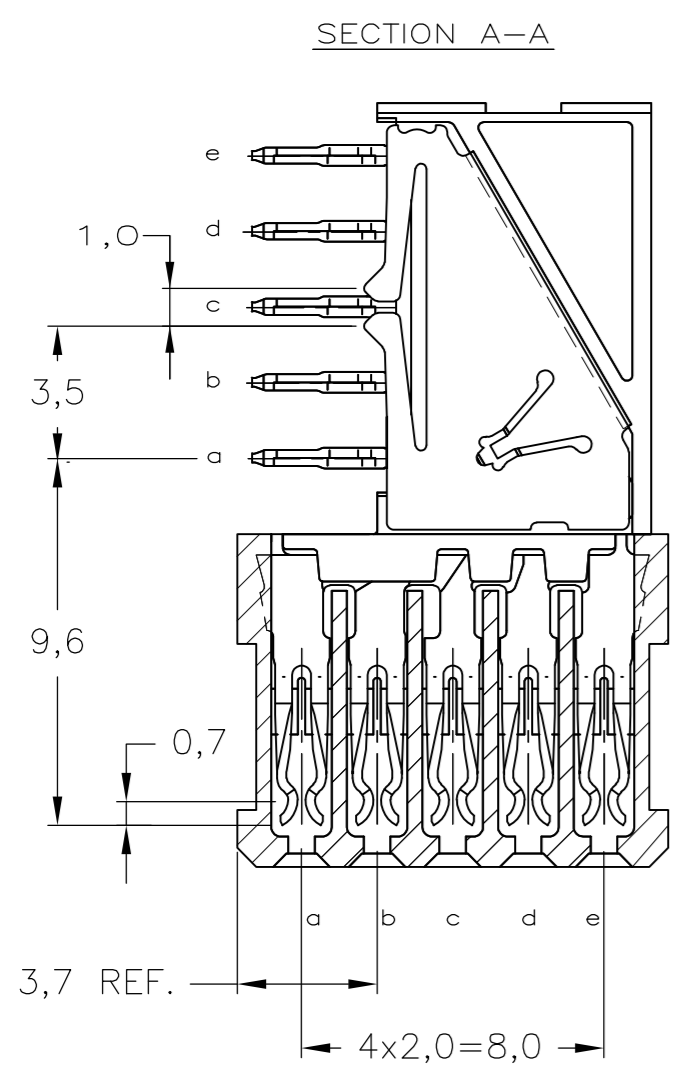
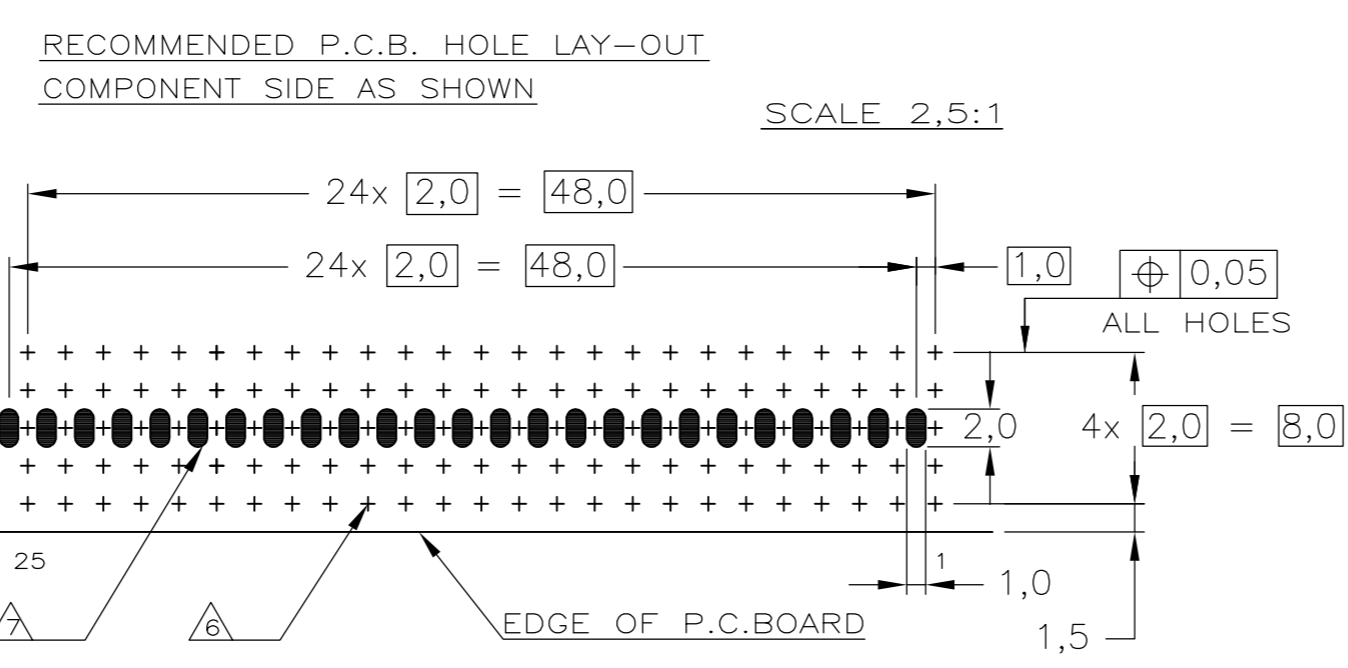


THIS DRAWING IS UNPUBLISHED. RELEASED FOR PUBLICATION  
 © COPYRIGHT BY TYCO ELECTRONICS CORPORATION. ALL RIGHTS RESERVED.

LOC	DIST	REVISIONS					
		P	LTR	DESCRIPTION	DATE	DWN	APVD
H	-		C	ECR-06-026577	14-11-06	BSV	BM
			C1	ECO-10-000444	20-01-10	KK	HMR
			D	ECR-10-018652	10SEP10	SW	MQW



- NOTES:**
- MATERIAL : CONTACT; PHOSPHORBRONZE  
REDUCED CROSS-TALK SHIELD; PHOSPHORBRONZE  
HOUSING; GLASSFILLED POLYESTER (GRAY)
  - GENERAL CONTACT PLATING SPECIFICATION: UNDERPLATING (ENTIRE CONTACT): 1,27µm NICKEL MIN. AND ACTION PIN: 0,5µm TIN MIN. FOR PLATING OF MATING SURFACES SEE APPLICABLE SPECIFICATION REFERENCE FOR EACH DASH NUMBER. REDUCED CROSS-TALK SHIELD PLATING: GOLD FLASH OVER 1,27 µm NICKEL MIN.
  - CONFORMS TO ALL TESTING ACCORDING IEC 61076-4-101 PERFORMANCE LEVEL 2.
  - CONFORMS TO ALL TESTING ACCORDING IEC 61076-4-101 PERFORMANCE LEVEL 1.
  - CONNECTOR PRINTED WITH PARTNUMBER AND DATECODE THE MARKING CAN APPEAR ON THE FRONT SIDE OR ON THE BACK SIDE.
  - PLATED-THROUGH HOLES AT 2x2mm SQUARE GRID TOTAL 125 HOLES.
  - PLATED SPOT ONLY ON COMPONENT SIDE, FORMING ONE CONTACT WITH PLATED THROUGH HOLES OF ROW C
  - FITS WITH INTEGRATED GROUND RETURN UPPERSHIELD 5338107-2 AND LOWERSHIELD 5338108-2.
  - OBSOLETE PARTS: OBSOLETE CIS STREAMLINING PER D.RENAUD/D.SINISI



P.C.B. HOLE DIM. ACTION PIN  
 FOR DETAILS SEE APPLICATION SPECIFICATION

FINISH	MATERIAL	PARTNUMBER
2 4	1	5100624-4
2 3	1	5100624-1

THIS DRAWING IS A CONTROLLED DOCUMENT.

DIMENSIONS: mm	TOLERANCES UNLESS OTHERWISE SPECIFIED: ±0.2	DWN K.N.KIRAN 10AUG2004	Tyco Electronics Corporation s-HertogenBosch, Netherlands,
		CHK B.MOOIJ 23SEP2004	
		APVD B.MOOIJ 23SEP2004	
		PRODUCT SPEC 108-19082	
MATERIAL	FINISH	APPLICATION SPEC 114-19029	NAME Z-PACK 2MM HM TYPE B 125 POS. FEMALE CONNECTOR WITH REDUCED CROSS-TALK SHIELD
		WEIGHT	SIZE A2 CAGE CODE 00779 DRAWING NO. C=5100624 RESTRICTED TO
		CUSTOMER DRAWING	SCALE 5:1 SHEET 1 OF 1 REV D