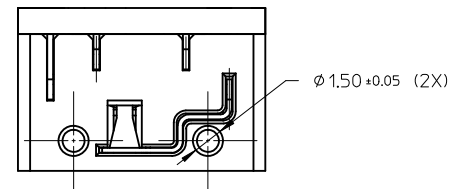
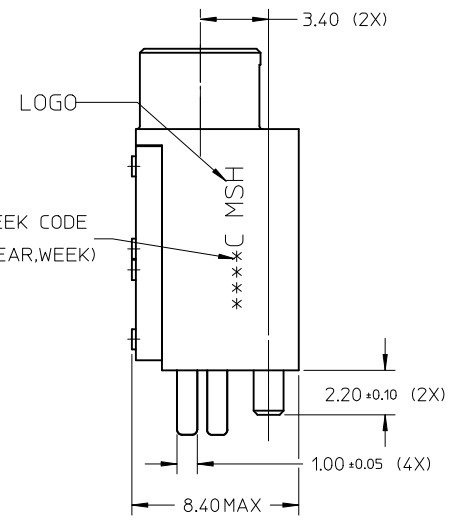
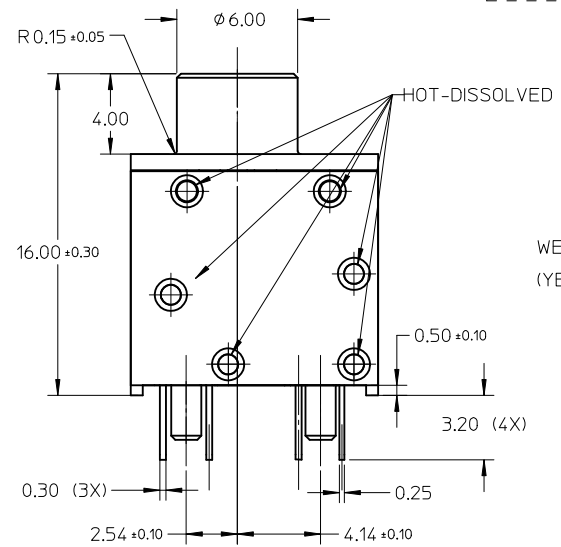
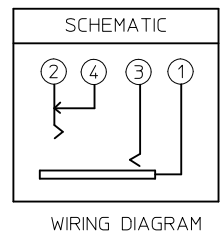


NOTE:

- 1.MATERIALL:
 PART TO BE COMPLIANT WITH RELOW PROCEWW AT 260°C.
 HOUSING & COVER: NYLON, GLASS FIBER FILLED,
 UL94V-0, COLOR: BLACK
 TERMINAL: PIN 1 : PHOSPHOR BRONZE
 PIN 2 : PHOSPHOR BRONZE
 PIN 3 : PHOSPHOR BRONZE
 PIN 4 : BRASS
- 2.FINISH:
 TERMINAL:
 CONTACT AREA: GOLD, THICKNESS=0.75 MICRON MIN.
 SOLDER TAIL: TIN, THICKNESS=2 MICRON MIN.
 UNDERPLATE: NICKEL, THICKNESS=2 MICRON MIN
- 3.RECOMMANDED PCB THICKNESS: 1.60±0.05mm
 4.PRODUCT SPECIFICATION REFER TO PS-47257-001
 5.PACKAGING SPECIFICATION REFER TO PK-47257-001



REVISE EC NO: SH2011-0108 DRW/NF: YANG05 CHKD: APPR: RZHANG 2010/10/26 2010/11/01	QUALITY SYMBOLS ▽=0 ◁=0	GENERAL TOLERANCES (UNLESS SPECIFIED)		DIMENSION STYLE MM ONLY		SCALE 1:1	DESIGN UNITS METRIC	THIRD ANGLE PROJECTION	
		4 PLACES ± --- ± ---	mm INCH	DRAWN BY MZCHEN	DATE 2005/04/26	TITLE 3.5MM STEREO JACK 4 POSITION SLIM DESIGN WITH SWITCH			
		3 PLACES ± --- ± ---		CHECKED BY GRMA	DATE 2005/05/30	MOLEX INCORPORATED			
		2 PLACES ± 0.25 ± ---		APPROVED BY RZHANG	DATE 2010/11/01	MATERIAL NO. 47257-0001	DOCUMENT NO. SD-47257-001		
		1 PLACE ± 0.25 ± ---		ANGULAR ± 1/2°				SHEET NO. 1 OF 1	
DRAFT WHERE APPLICABLE MUST REMAIN WITHIN DIMENSIONS		SIZE A3		THIS DRAWING CONTAINS INFORMATION THAT IS PROPRIETARY TO MOLEX INCORPORATED AND SHOULD NOT BE USED WITHOUT WRITTEN PERMISSION					