

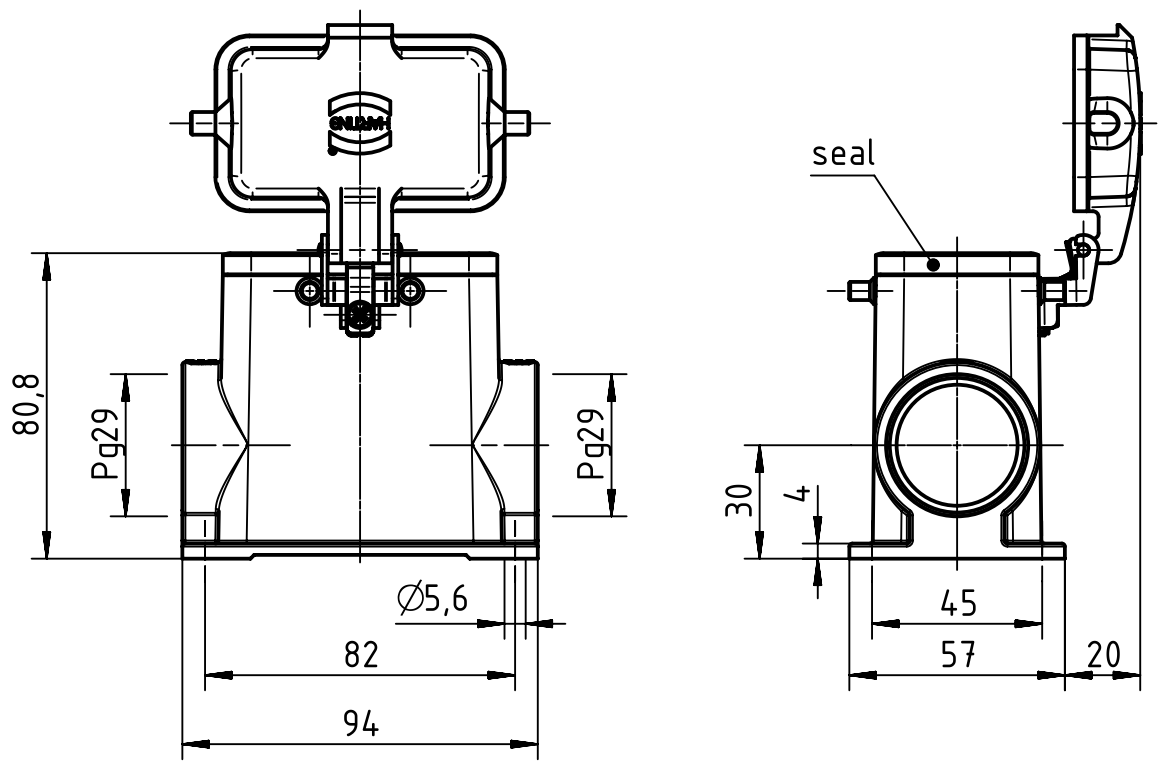
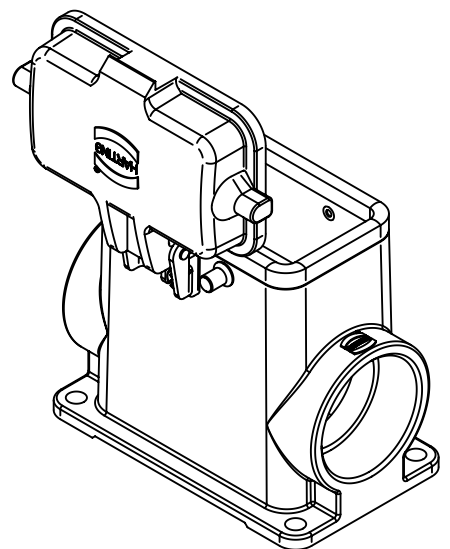
1 2 3 4 5 6

A

B

C

D



	All rights reserved Department EL PD - DE	All Dimensions in mm Original Size DIN A4		Scale 1:2	Free size tol.	Ref. Sub. TB 09 30 010 0263 v. 11.04.11	
		HARTING Electric GmbH & Co. KG D-32339 Espelkamp	Created by SPREENB	Inspected by BERGHORN	Standardisation TIEMANNA	Date 2014-01-30	State Final Release
		Title Han 10B-asg2-K-29				Doc-Key / ECM-Nr. 100208936/UGD/004/A 500000071121	
		Type TB	Number 09 30 010 0263			Rev. A	Page 1/1