

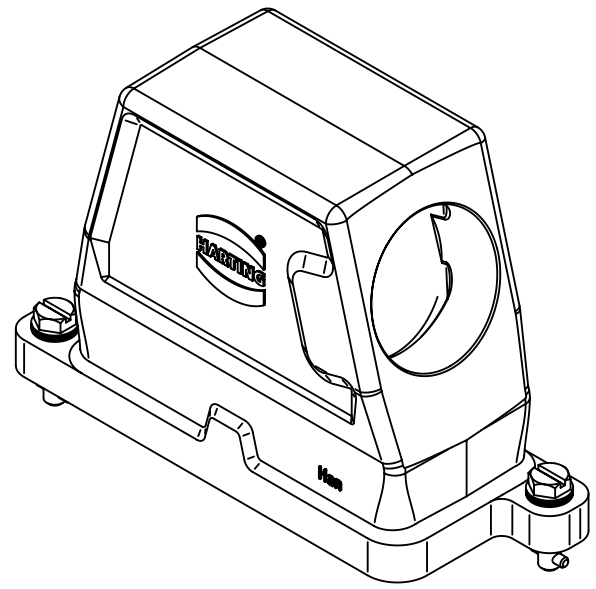
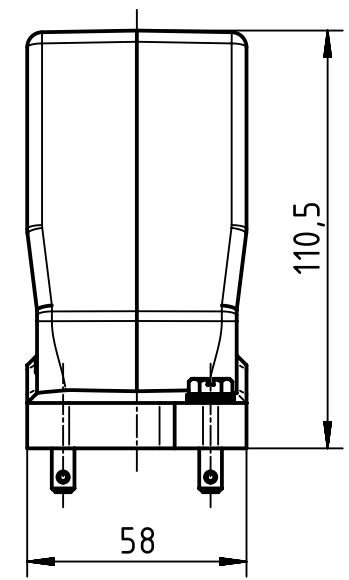
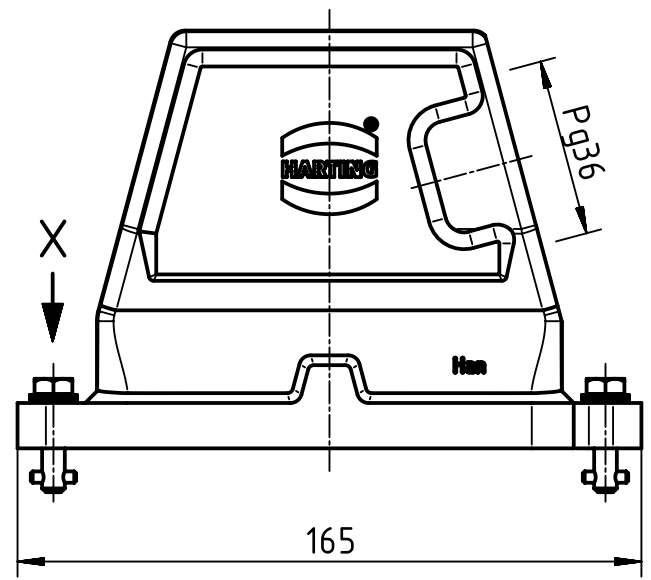
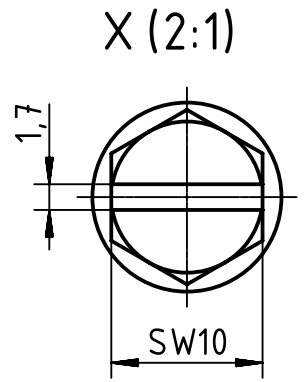
1 2 3 4 5 6

A

B

C

D



	All Dimensions in mm Original Size DIN A4		Scale 1:2	Free size tol.		Ref.
						Sub.
	All rights reserved		Created by FINKEV	Inspected by SCHNIEDER	Standardisation SCHMIDTM	Date 2015-01-23
	Department EL PD - DE					State Old Release
HARTING Electric GmbH & Co. KG D-32339 Espelkamp			Title Han 16HPR-gs-KV-36			Doc-Key / ECM-Nr. 100215005/UGD/004/A 500000084.003
			Type TB	Number 09 40 016 0504		Rev. A
					Page 1/1	