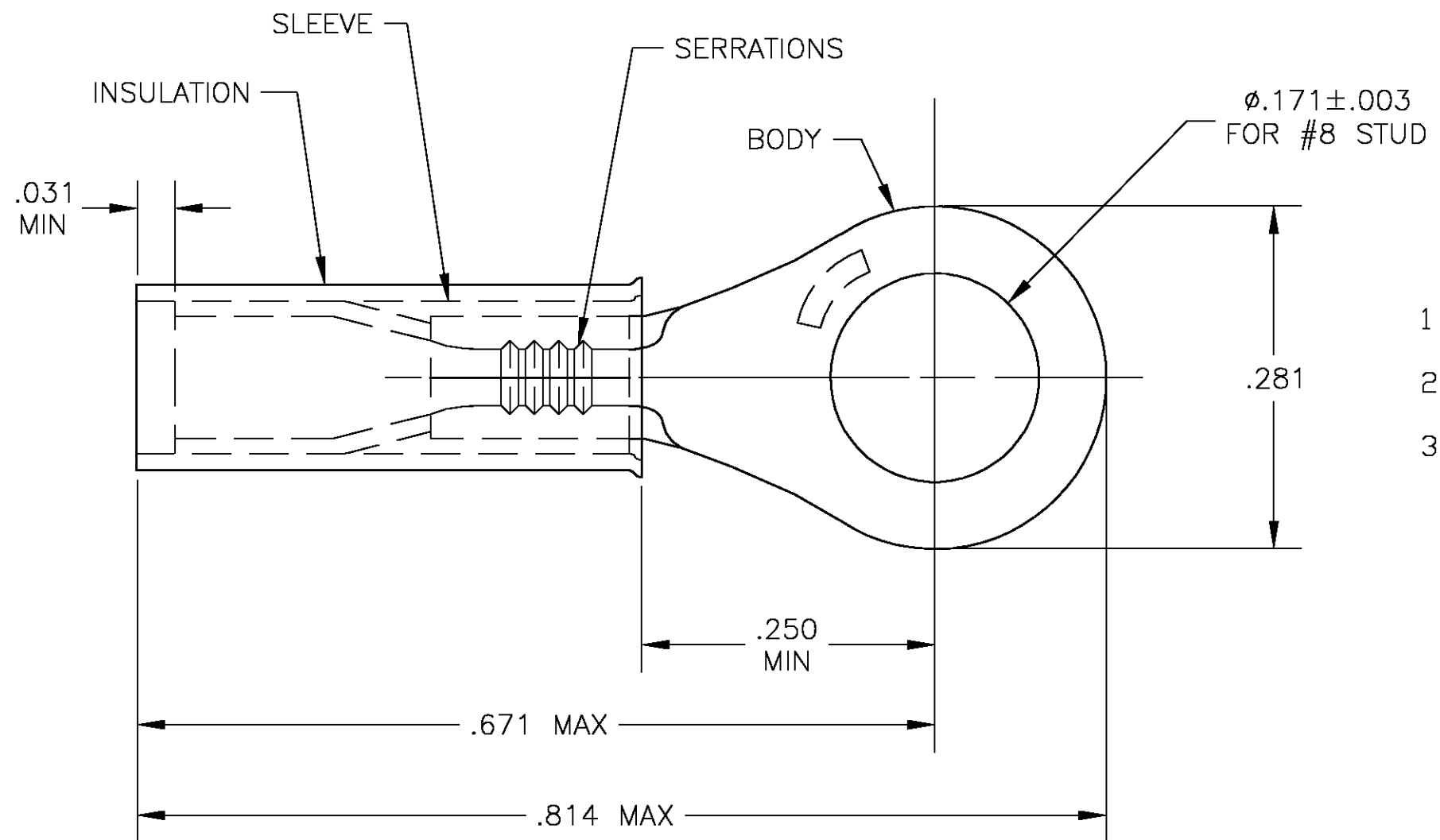


THIS DRAWING IS UNPUBLISHED. RELEASED FOR PUBLICATION  
 © COPYRIGHT BY TYCO ELECTRONICS CORPORATION. ALL RIGHTS RESERVED.

LOC	DIST	REVISIONS			
P	LTR	DESCRIPTION	DATE	DWN	APVD
G	14	C	REV PER 0G3A-0049-04	27JAN04	JR TM



- 1 TONGUE MATERIAL THK IS  $.027 \pm .001$
- 2 FOR .050 TO .105 WIRE INS. DIA.
- 3 MUST BE CRIMPED WITH 22-18 OR 22-16 PIDG (RED) TOOL.

1	<del>OBSOLETE</del> <del>54311-2</del>	54311-1	BODY: COPPER ASTM B152 TIN PL PER ASTM B545 SLEEVE: COPPER ASTM B3 TIN PL PER ASTM B545 INSULATION: NYLON PER ASTM D4066 TYPE I, COLOR; YELLOW
QTY	TAPE NO	PART NO	MATERIAL & FINISH

THIS DRAWING IS A CONTROLLED DOCUMENT.		DWN JR RUTH 27JAN04	Tyco Electronics Corporation Harrisburg, Pa 17105-3608	
DIMENSIONS: INCHES		CHK T MICHELUTTI 27JAN04		
		APVD T MICHELUTTI 27JAN04	NAME TERMINAL, NYLON PIDG, RING TONGUE; WIRE SIZE 26-24	
TOLERANCES UNLESS OTHERWISE SPECIFIED:		PRODUCT SPEC	RESTRICTED TO	
0 PLC ± -		APPLICATION SPEC	SIZE	CAGE CODE
1 PLC ± -		—	A3	00779
2 PLC ± -		—	DRAWING NO	
3 PLC ± .008		—	C-54311	
4 PLC ± -		—	—	
ANGLES ± 1'		WEIGHT	—	
MATERIAL SEE TABLE		FINISH SEE TABLE	CUSTOMER DRAWING	
—		SCALE	8:1	SHEET 1 OF 1
—		REV	C	