

1

2

3

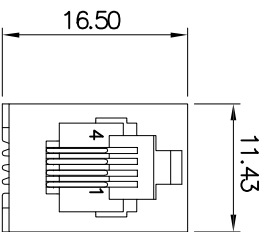
4

5

6

7

A

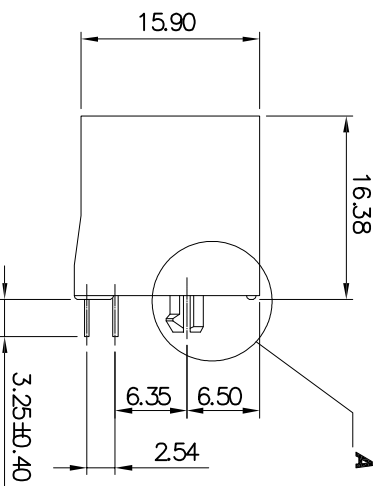


A

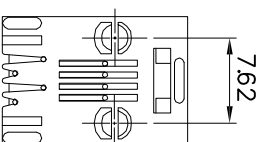
Specification:
1. Electrical Char

Insulation Resistance: 500MΩ min. 500V DC
for 1 minute
Contact Resistance: 20mΩ max.
Rating Current: 1.5A max.
Rating Voltage: 120V AC
Dielectric Voltage: 1000 Vrms at 1MA 60 sec. min.

B



C

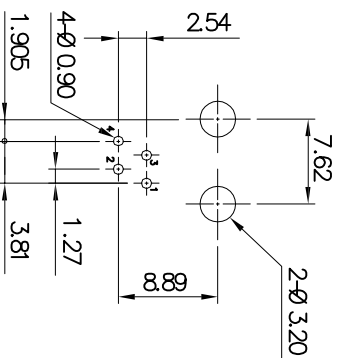


C

2. Physical Char

Housing: PBT Glass filled (UL 94V-0) Color: Black
Soldering Temperature: 235°C for 5 sec.
Spring Wire: 0.45mm Dia Phosphor Bronze
6u" Gold plating over Nickel
Temperature Range: -40°C to +85°C
Durability: 500 mating cycles min.

D

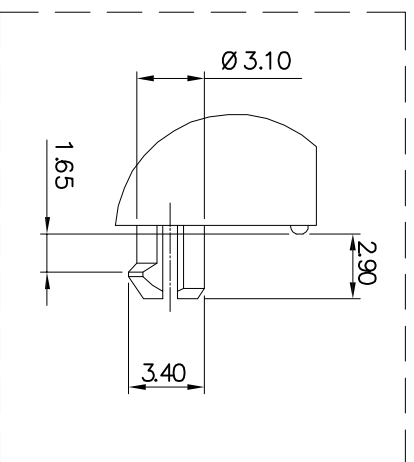


E

PCB LAYOUT
(Top View)

F

A(2:1)


RoHS compliant
Unit:mm

G

G

Scale	Free																			
TOLERANCE																				
.XX	±0.20																			
.XXX	±0.13																			
.XXXX	±0.05																			
DIM	TOL																			
Angle	+0°30'																			

H

H

Scale	Free																			
TOLERANCE																				
.XX	±0.20																			
.XXX	±0.13																			
.XXXX	±0.05																			
DIM	TOL																			
Angle	+0°30'																			

1

2

3

4

5

6

7

ASSMANN
components

ASSMANN WSW-No.
A-2014-3-4-N-T-R
Drawing-No.
ASS 7331 CO
rev00
SHEET

H

Customer-No.

Date

Name

Drawn 04.08.2016

Winnie

Approved 04.08.2016

Winnie

Drawing-No.

ASS 7331 CO

rev00

Replace

SHEET

①

Angle

+0°30'

Id.

Drawn

Modification

Date

Winnie

Date

Winnie

Name

Winnie

Date

Winnie

H