

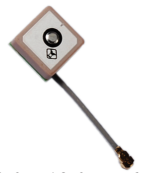
# GPS Active Internal Patch

**APAM1348YD13V2.0**



ESD Sensitive

RoHS/RoHS II compliant



13.0 x 13.0 x 5.6mm

MSL level: Not Applicable

## FEATURES:

- Compact Size
- Easy to Install
- RoHS Compliant

## TYPICAL APPLICATIONS:

- Automotive Navigation, Marine buoys,
- Personal Tracking
- Surveying equipment, Cell phone, Laptop,
- Healthcare and medical monitoring devices, PND, PDA

## STANDARD SPECIFICATIONS:

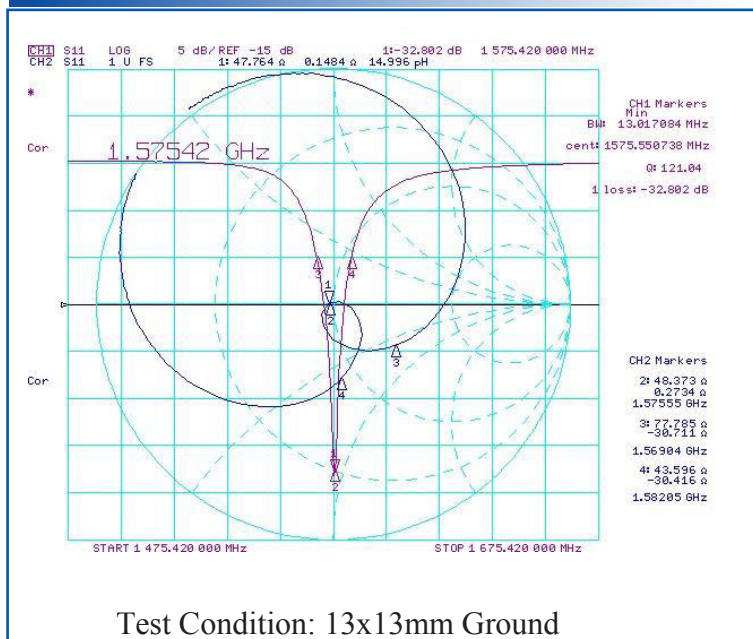
### Antenna

Parameters	Min.	Typ.	Max.	Units	Note
Center Frequency	1575.42± 1.02			MHz	
Bandwidth	5			MHz	
Gain		1.0		dBic	(Peak gain on70*70mm Ground Plane facing Zenith.)
VSWR @ Center Frequency		1.5			
Polarization Model	RHCP				(Right Hand Circular Polarization)
Impedance	50			Ω	
Working Temperature	-25		+72	°C	
Storage Temperature	-45		85	°C	

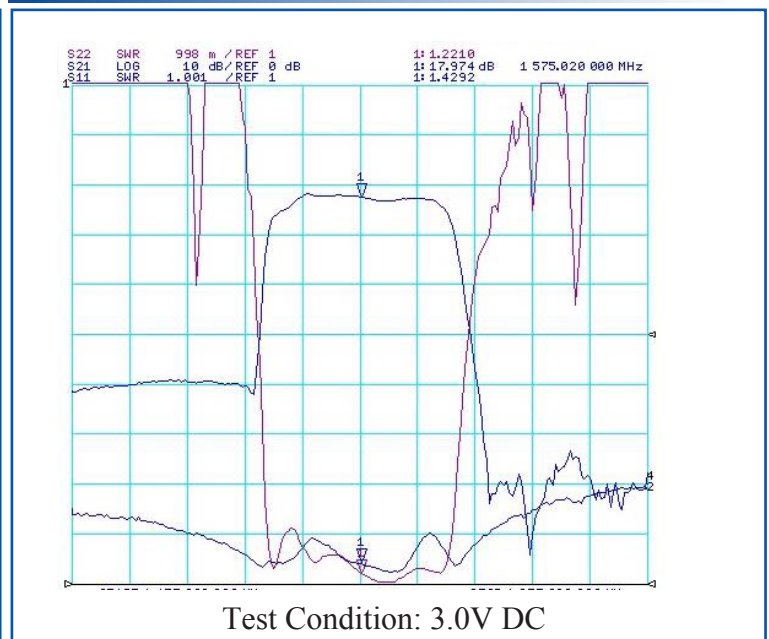
### Low Noise Amplifier (LNA)

Parameters	Min.	Typ.	Max.	Units	Note
Center Frequency	1575.42± 1.02			MHz	
DC Voltage	2.70		3.30	V	
Gain		19		dB	(Without cable +25°C± 10°C)
Output VSWR		1.5			
Noise Figure		1.3			(+25°C± 10°C)
DC current		3.5		mA	(At 3.0V)

## SMITH CHART



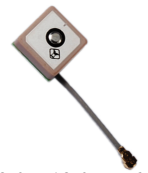
## GPS LNA GAIN PLOT



# GPS Active Internal Patch

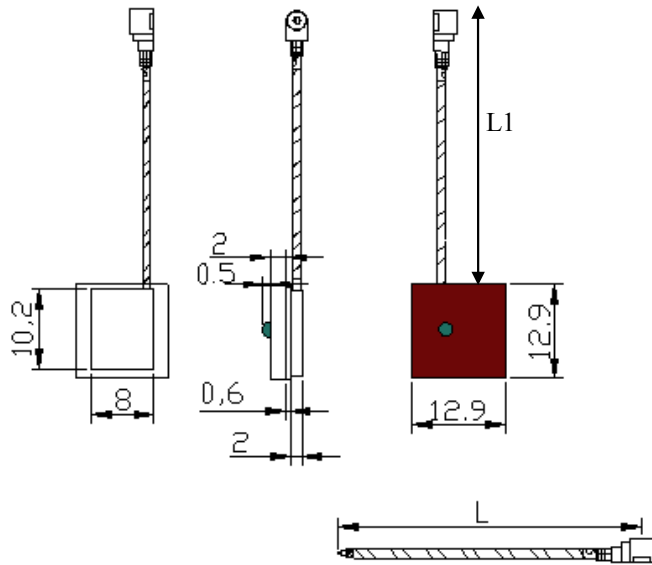
**APAM1348YD13V2.0**

RoHS/RoHS II compliant



13.0 x 13.0 x 5.6mm

## OUTLINE DIMENSION:



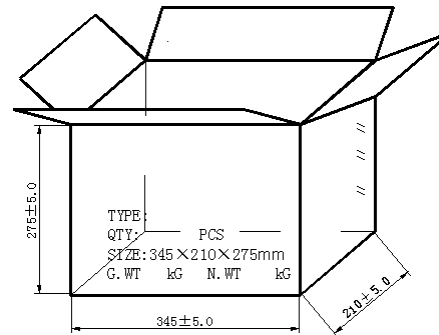
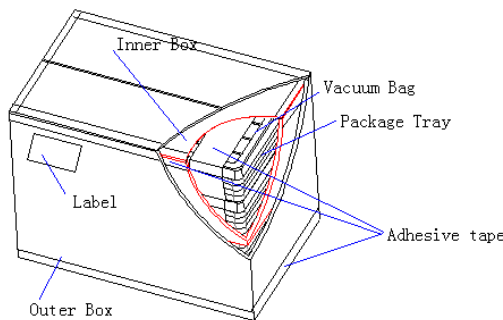
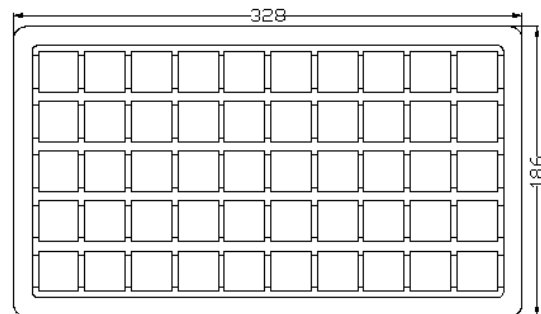
Tolerance: ±0.2mm

Description	Material
Antenna Type	Dielectric Ceramics
PCB	FR4
Shielding	Tinplate
RF Cable	9851SC0032-002, $\phi 0.81 \pm 0.1\text{mm}$ , $L1=33 \pm 3\text{mm}$ , $L=37 \pm 3\text{mm}$
RF Connector	I-PEX
Thickness	5.6mm Max

Unit: mm

## PACKAGING

Package Type	Quantity
Tray	50 pcs/tray
Vacuum Bag	200 pcs/box
Outer Box	1000 pcs/box



**ATTENTION:** Abracon Corporation's products are COTS – Commercial-Off-The-Shelf products; suitable for Commercial, Industrial and, where designated, Automotive Applications. Abracon's products are not specifically designed for Military, Aviation, Aerospace, Life-dependant Medical applications or any application requiring high reliability where component failure could result in loss of life and/or property. For applications requiring high reliability and/or presenting an extreme operating environment, written consent and authorization from Abracon Corporation is required. Please contact Abracon Corporation for more information.

ABRACON IS  
ISO9001:2008  
CERTIFIED



Visit [www.abracon.com](http://www.abracon.com) for Terms & Conditions of Sale **Revised 06.23.14**  
30332 Esperanza, Rancho Santa Margarita, California 92688  
tel 949-546-8000 | fax 949-546-8001 | [www.abracon.com](http://www.abracon.com)