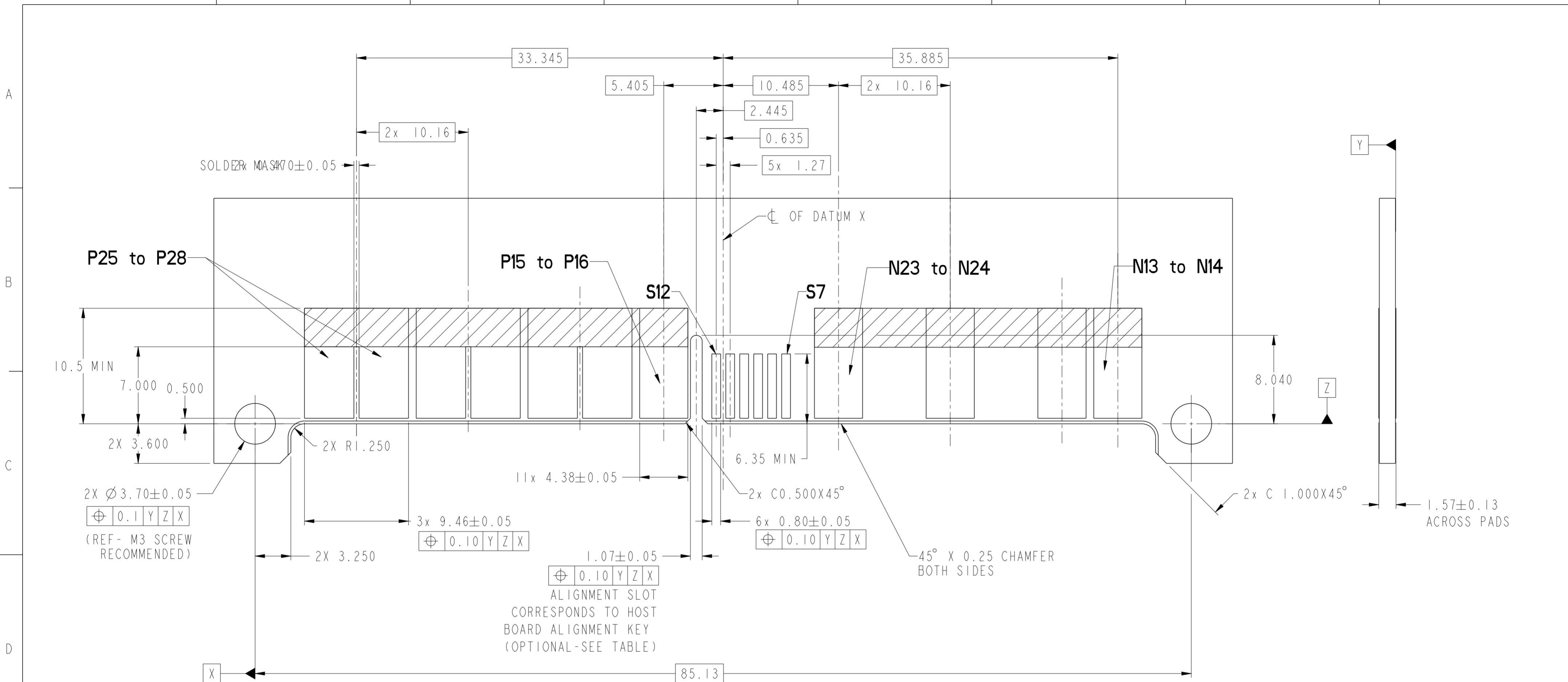


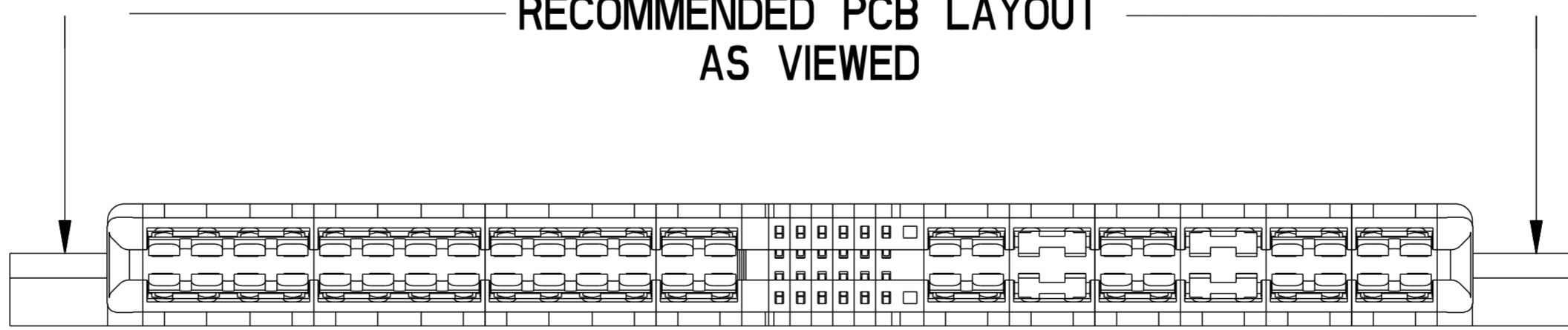
SECTION C-C

SECTION D-D

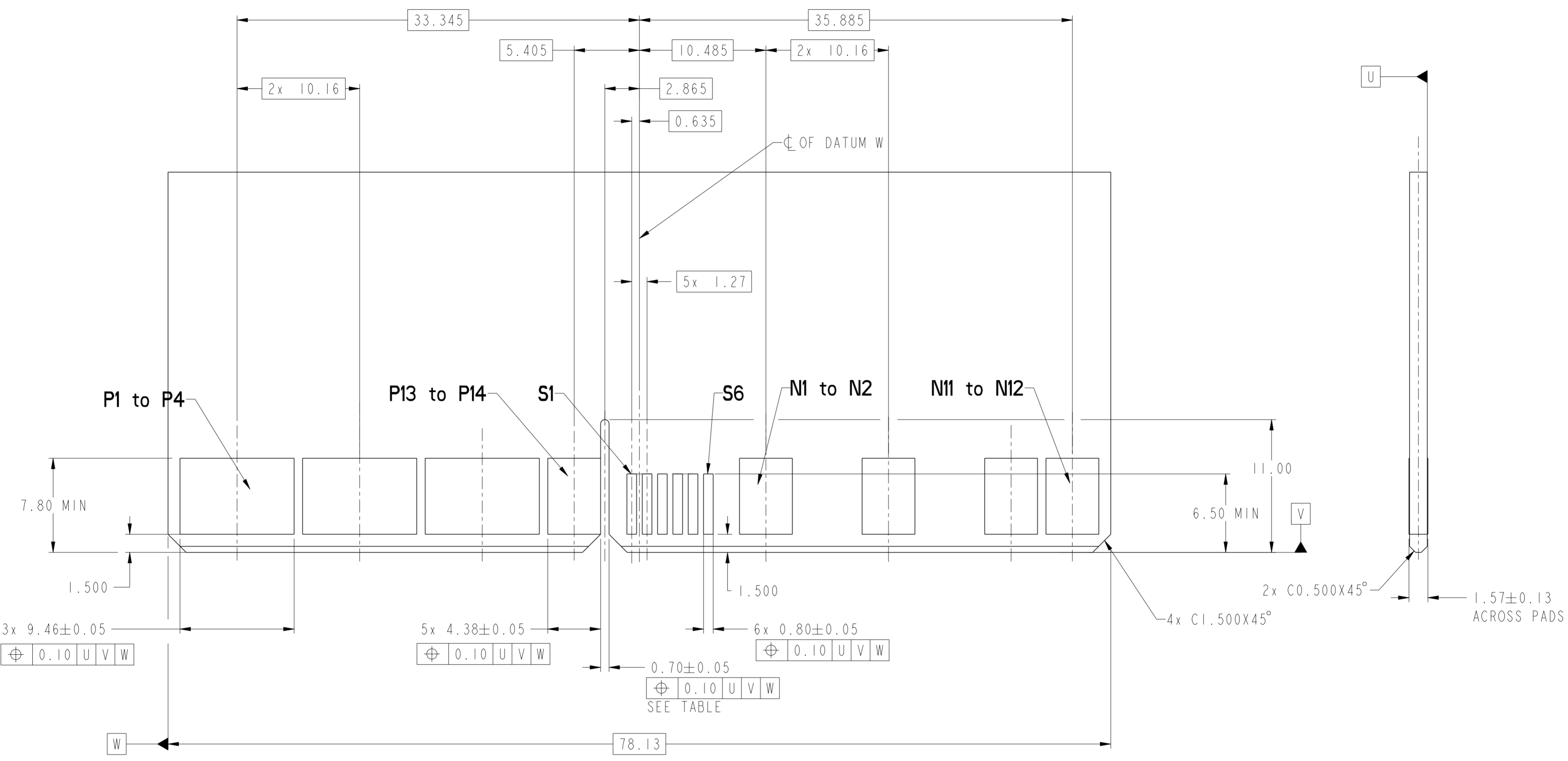
spec ref	-	dr	Eric Jiang	2013/06/04	projection	MM	size	A2	scale	3:1	
tolerance std	ASME Y14.5	eng	De-Ming Lu	2013/09/26			ecn no	-	rel level	Released	
TOLERANCES UNLESS OTHERWISE SPECIFIED		chr	-								
surface	ASME Y14.5	appr	Pei-Ming Zheng	2013/09/26							product family
linear	0.X ±0.50			title	RECEPTACLE (28P-12S-24P)		dwg no	10125909		rev	A
angular	0° ±2°	www.fci.com		cat. no.	-		Product - Customer Drw	sheet 1 of 4			



**RECOMMENDED PCB LAYOUT
AS VIEWED**



spec ref	-	dr	Eric Jiang	2013/06/04	projection	MM	size	A2	scale	3:1
tolerance std	ASME Y14.5	eng	De-Ming Lu	2013/09/26	chr	-	ecn no	-	rel level	Released
surface	✓	appr	Pei-Ming Zheng	2013/09/26	product family	HPCE	rel level	Released	title	RECEPTACLE (28P-12S-24P) HPCE - (STRADDLE MOUNT)
ASME Y14.5	linear	0.X	±0.50	0.XX	±0.25	0.XXX	±0.10	angular	0°	±2°
		www.fci.com	cat. no.	Product - Customer Drw		sheet 2 of 4	rev	A		



**RECOMMENDED MATING BOARD
FOOTPRINT**

Copyright FCI.
FCI

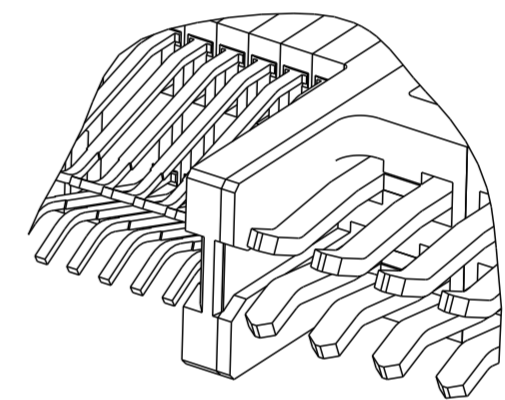
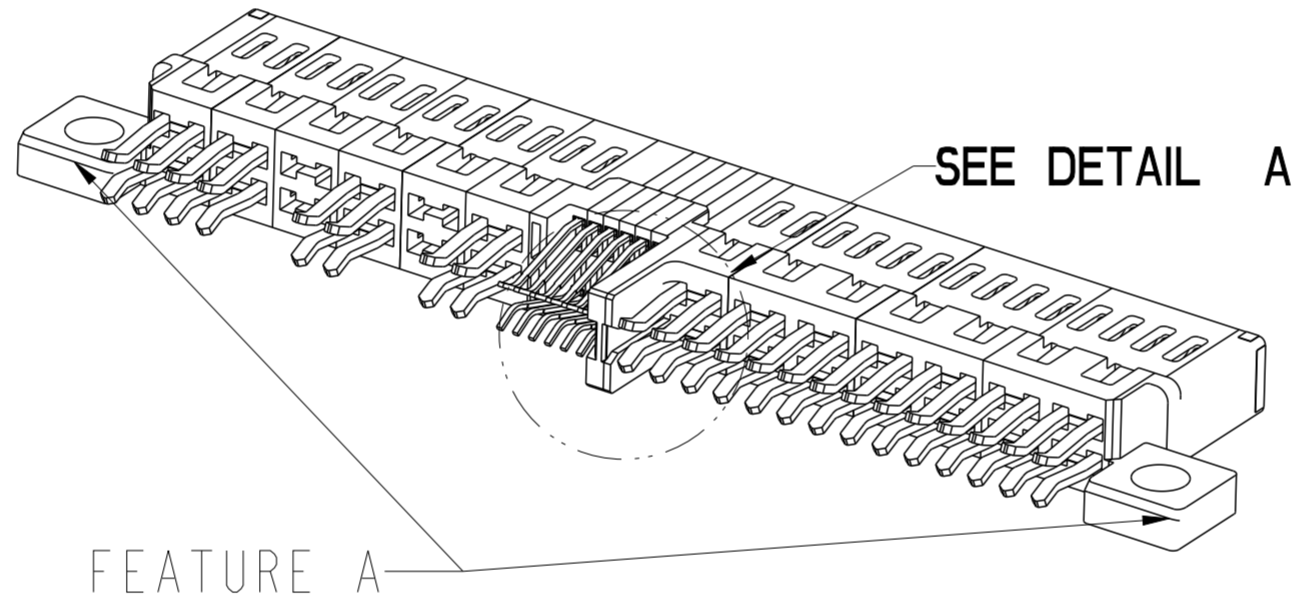
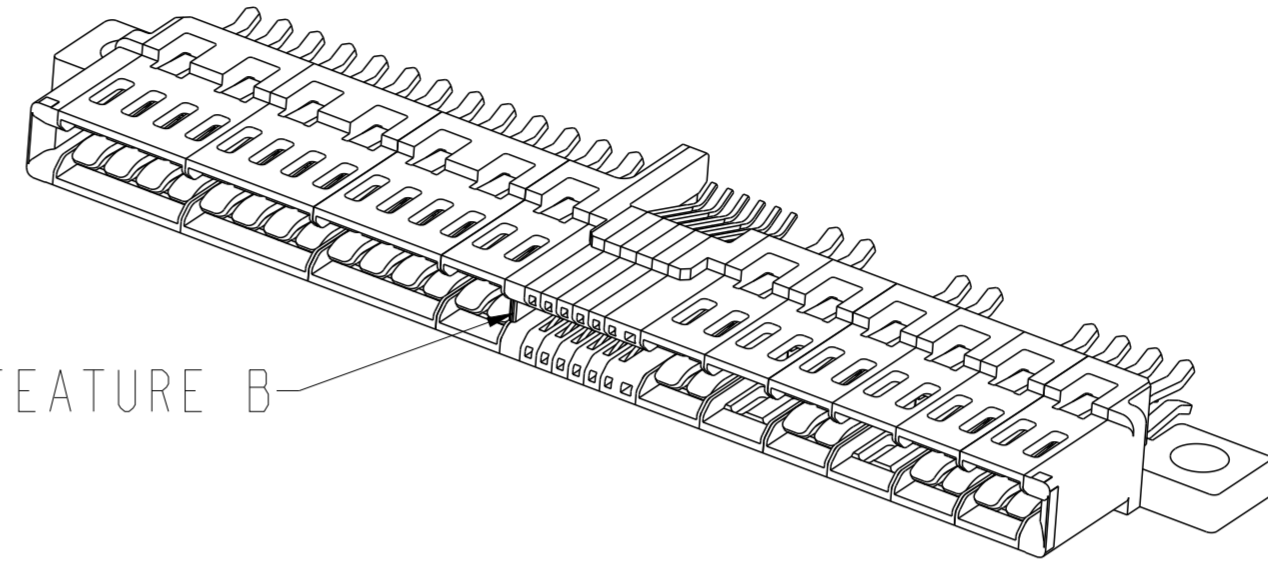
spec ref	-	dr	Eric Jiang	2013/06/04	projection	MM	size	A2	scale	4:1																				
tolerance std	ASME Y14.5	eng	De-Ming Lu	2013/09/26			ecn no	-	rel level																					
TOLERANCES UNLESS OTHERWISE SPECIFIED		chr	-	product family			HPCE	rel level	Released																					
surface	<table border="1"> <tr> <td>linear</td> <td>0.X</td> <td>±0.50</td> </tr> <tr> <td></td> <td>0.XX</td> <td>±0.25</td> </tr> <tr> <td></td> <td>0.XXX</td> <td>±0.10</td> </tr> <tr> <td>angular</td> <td>0°</td> <td>±2°</td> </tr> </table>	linear	0.X	±0.50		0.XX	±0.25		0.XXX	±0.10	angular	0°	±2°	apppr	Pei-Ming Zheng	2013/09/26		<table border="1"> <tr> <td>title</td> <td>RECEPTACLE (28P-12S-24P)</td> <td>dwg no</td> <td>10125909</td> <td>rev</td> <td>A</td> </tr> <tr> <td></td> <td>HPCE - (STRADDLE MOUNT)</td> <td></td> <td></td> <td></td> <td></td> </tr> </table>	title	RECEPTACLE (28P-12S-24P)	dwg no	10125909	rev	A		HPCE - (STRADDLE MOUNT)				
linear	0.X	±0.50																												
	0.XX	±0.25																												
	0.XXX	±0.10																												
angular	0°	±2°																												
title	RECEPTACLE (28P-12S-24P)	dwg no	10125909	rev	A																									
	HPCE - (STRADDLE MOUNT)																													
ASME Y14.5		www.fci.com	cat. no.	-	Product - Customer Drw	sheet 3 of 4																								

PDS: Rev :A

STATUS:Released

Printed: Sep 26, 2013

PART NUMBER	FEATURE C HOST BOARD ALIGNMENT KEY (SEE NOTE 8)	FEATURE A MOUNTING EARS	FEATURE B FRONT POLARIZATION KEY
10125909-001LF	NO	YES	NO
10125909-002LF	NO		YES
10125909-003LF	YES		NO
10125909-004LF	YES		YES



FEATURE C

DETAIL A
SCALE 4:1

NOTES:

- CONNECTOR MATERIALS:
HOUSING: HIGH TEMPERATURE THERMAL PLASTIC, BLACK
UL 94V-0 COMPLIANT
CONTACTS: HIGH PERFORMANCE COPPER ALLOY.
- CONTACT FINISH REF. GS-12-604 SECTION 5.2.
- PRODUCT SPECIFICATION: GS-12-604.
- APPLICATION SPECIFICATION: GS-20-128.
- PRODUCT MARKING (FCI - PART NUMBER & DATE CODE) ON HOUSING IN AREA SHOWN.
- PACKAGING MEETS FCI SPECIFICATION GS-14-937.
- HOUSING COMPONENT WILL WITHSTAND EXPOSURE TO 260°C PEAK TEMPERATURE FOR 60 SECONDS IN A CONVECTION, INFRA-RED, OR VAPOR PHASE REFLOW OVEN.
- HOST BOARD ALIGNMENT KEY IS RECOMMENDED TO ENSURE PROPER ALIGNMENT OF SOLDER TAILS WITH HOST BOARD PADS.

spec ref	-	dr	Eric Jiang	2013/06/04	projection	MM	size	A2	scale	4:1
tolerance std	ASME Y14.5	eng	De-Ming Lu	2013/09/26			ecn no	-	rel level	
TOLERANCES UNLESS OTHERWISE SPECIFIED		chr	-	product family			HPCE	rel level	Released	
surface	linear	appr	Pei-Ming Zheng	2013/09/26			title	RECEPTACLE (28P-12S-24P)	dwg no	10125909
ASME Y14.5	angular	www.fci.com		cat. no.	-	Product - Customer Drw	rev	A	sheet 4 of 4	