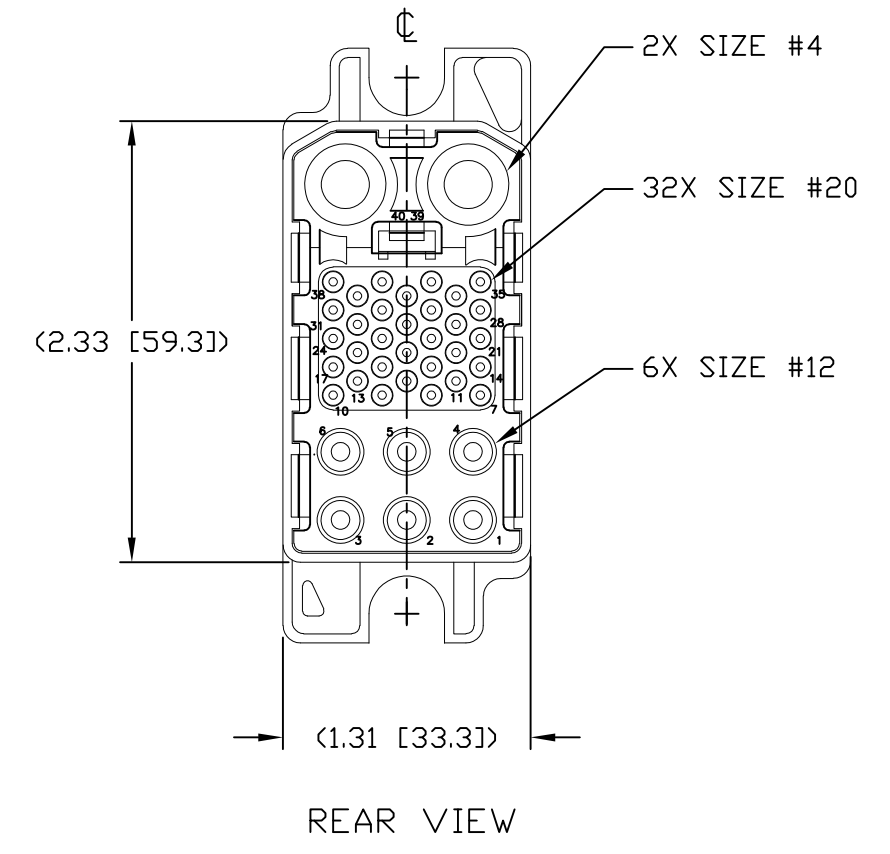
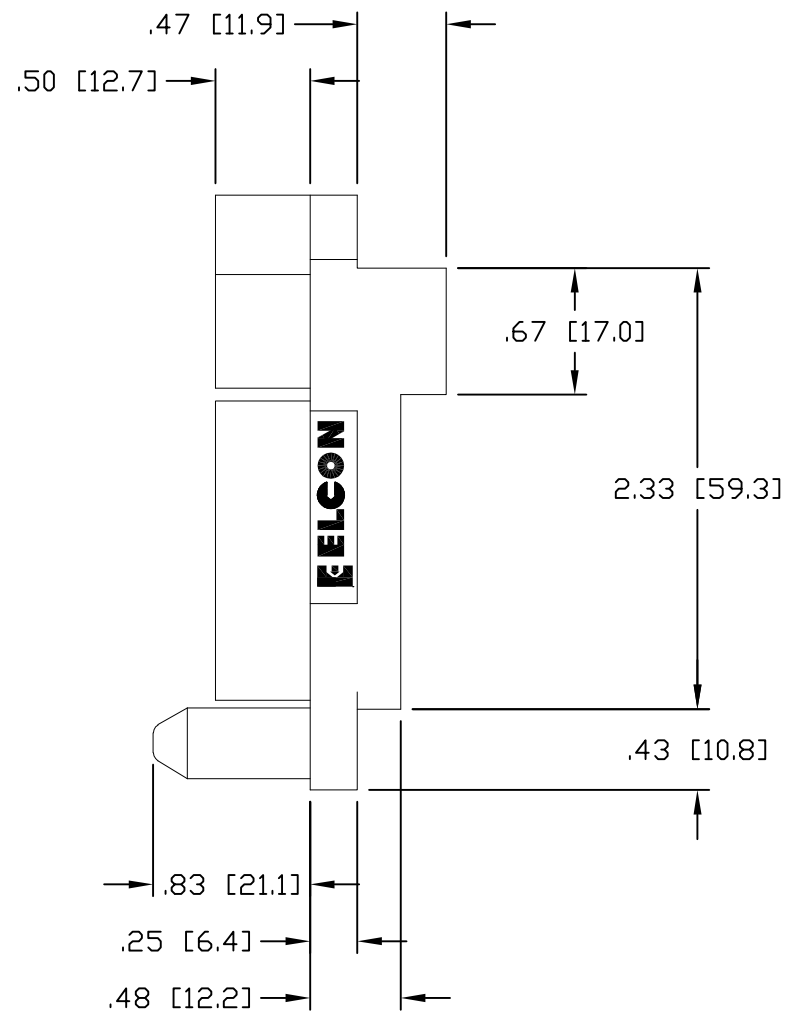
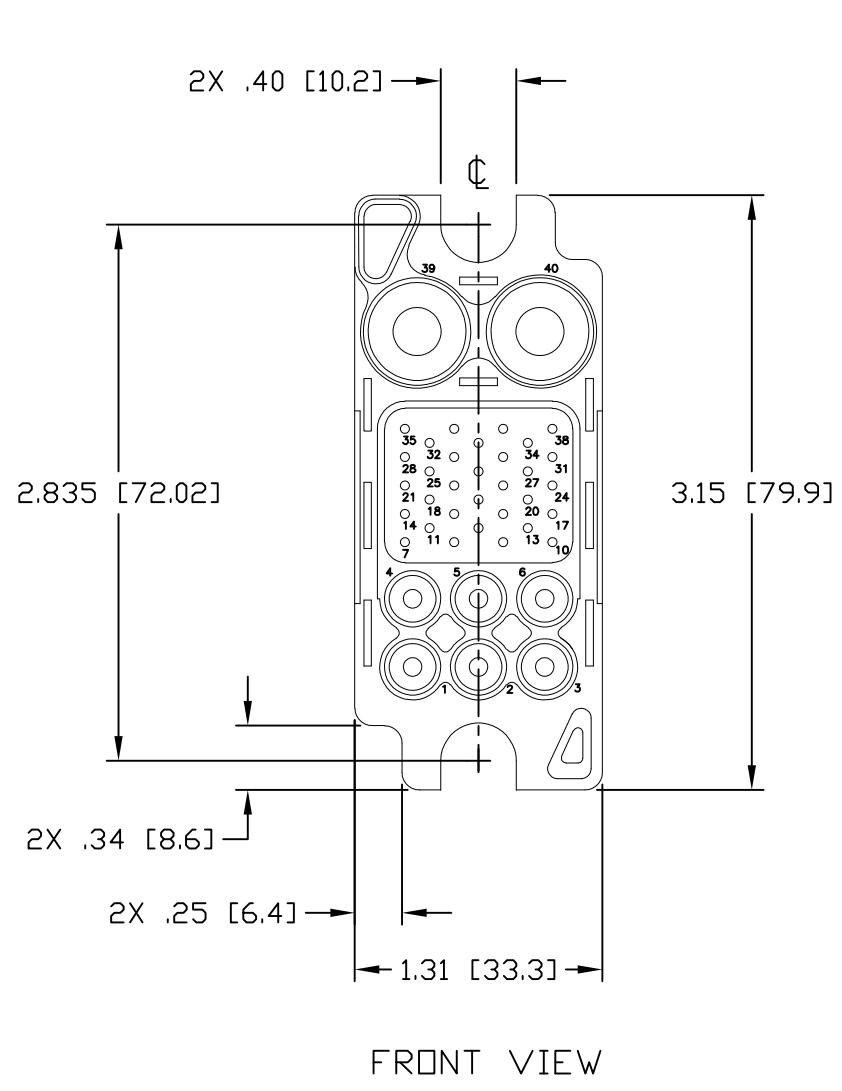
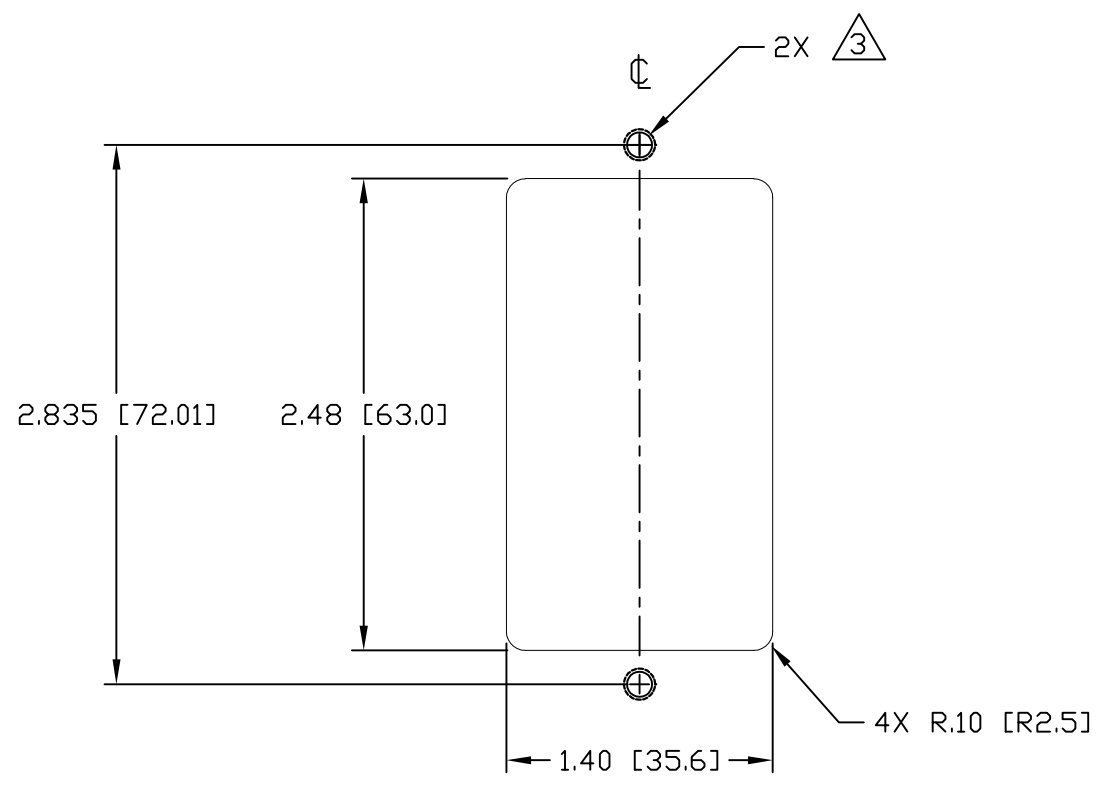


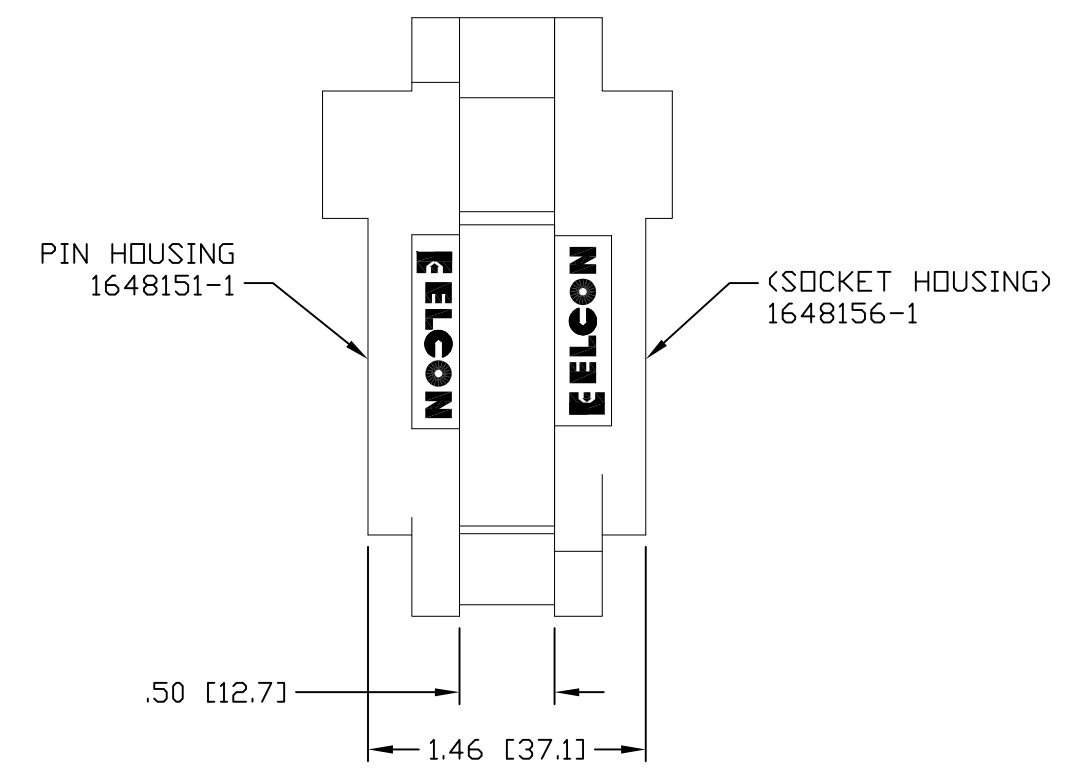
| | | | | | | | | | | | | |
|------------------------------|--|--------------------------|--|----|-----|------|-----------|-----|-------------|------|-----|------|
| THIS DRAWING IS UNPUBLISHED. | | RELEASED FOR PUBLICATION | | EC | LOC | DIST | REVISIONS | | | | | |
| © COPYRIGHT - By - | | ALL RIGHTS RESERVED. | | | | | P | LTR | DESCRIPTION | DATE | DWN | APVD |
| | | | | | | | | | SEE SHEET 1 | | | |



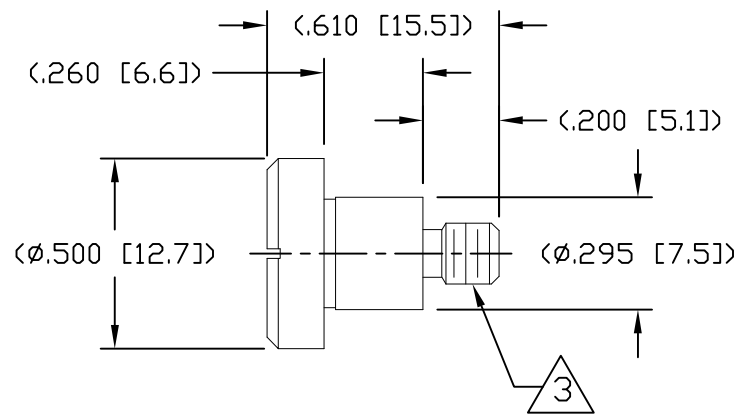
| | | | | | | | |
|--|--|--|----------|------------------|-----------------|----------------------------------|---------------|
| THIS DRAWING IS A CONTROLLED DOCUMENT. | | DWN | 03/25/06 | | TE Connectivity | | |
| | | CHK | - | | | | |
| DIMENSIONS: INCH(MM) | | TOLERANCES UNLESS OTHERWISE SPECIFIED: | | APVD | 03/25/06 | | NAME |
| | | 0 PLC ± - | | STEVE FLICKINGER | | CONNECTOR, PIN HOUSING | |
| | | 1 PLC ± - | | PRODUCT SPEC | | 2X#4, 32X#20, 6X#12, FLOAT MOUNT | |
| | | 2 PLC ± 0.02(0.3) | | APPLICATION SPEC | | 125A MIDDLE DRAWER | |
| | | 3 PLC ± 0.010(0.25) | | | | SIZE | CAGE CODE |
| | | 4 PLC ± - | | | | DRAWING NO | RESTRICTED TO |
| | | ANGLES ± 0.5° | | | | A3 | 00779 |
| MATERIAL | | FINISH | | WEIGHT | | C-1648151 | |
| | | | | - | | CUSTOMER DRAWING | |
| | | | | | | SCALE | SHEET |
| | | | | | | 1:1 | 2 OF 3 |
| | | | | | | REV | A1 |



RECOMMENDED PANEL CUTOUT
AS VIEWED FROM CONNECTOR MOUNTING SIDE
(FRONT VIEW)



MATED CONDITION



SHOULDER SCREW
SCALE 2:1
SHOWN FOR REFERENCE ONLY

| | | | | | |
|--|--|--|----------------------------|--------------------------------------|--------------------|
| THIS DRAWING IS A CONTROLLED DOCUMENT. | | DWN HA NGUYEN 03/25/06 | STE TE Connectivity | | |
| DIMENSIONS: INCH(MM) | | CHK - | | | |
| | | TOLERANCES UNLESS OTHERWISE SPECIFIED: | | APVD STEVE FLICKINGER 03/25/06 | |
| | | 0 PLC ± - 1 PLC ± - 2 PLC ± 0.02(0.3) 3 PLC ± 0.010(0.25) 4 PLC ± - ANGLES ± 0.5° | | NAME | |
| MATERIAL | | FINISH | | PRODUCT SPEC | |
| - | | - | | APPLICATION SPEC | |
| | | | | WEIGHT | |
| | | | | - | |
| CUSTOMER DRAWING | | | | SIZE A3 | CAGE CODE 00779 |
| | | | | DRAWING NO C-1648151 | RESTRICTED TO |
| | | | | SCALE 1:1 | SHEET 3 OF 3 |
| | | | | REV A1 | |