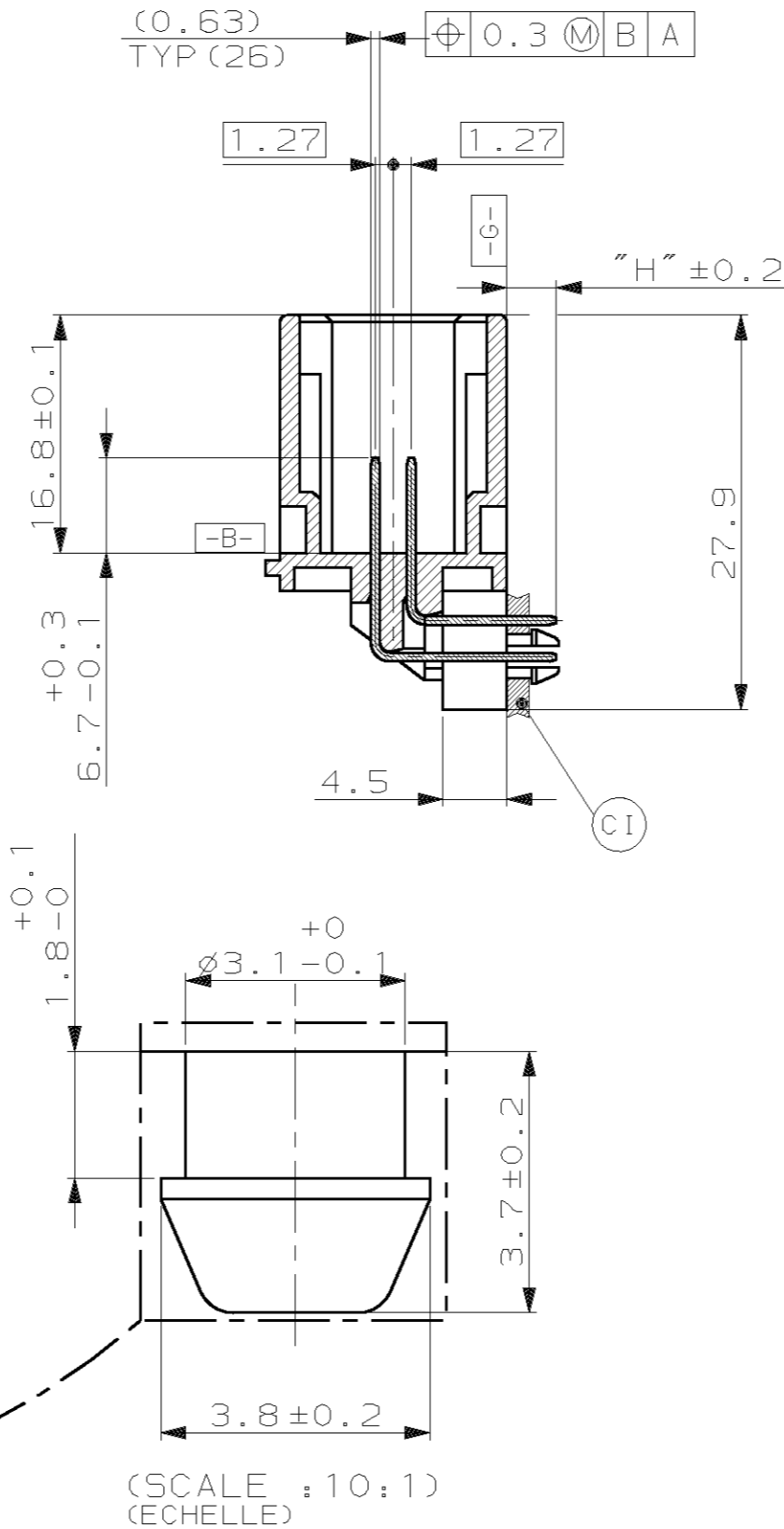
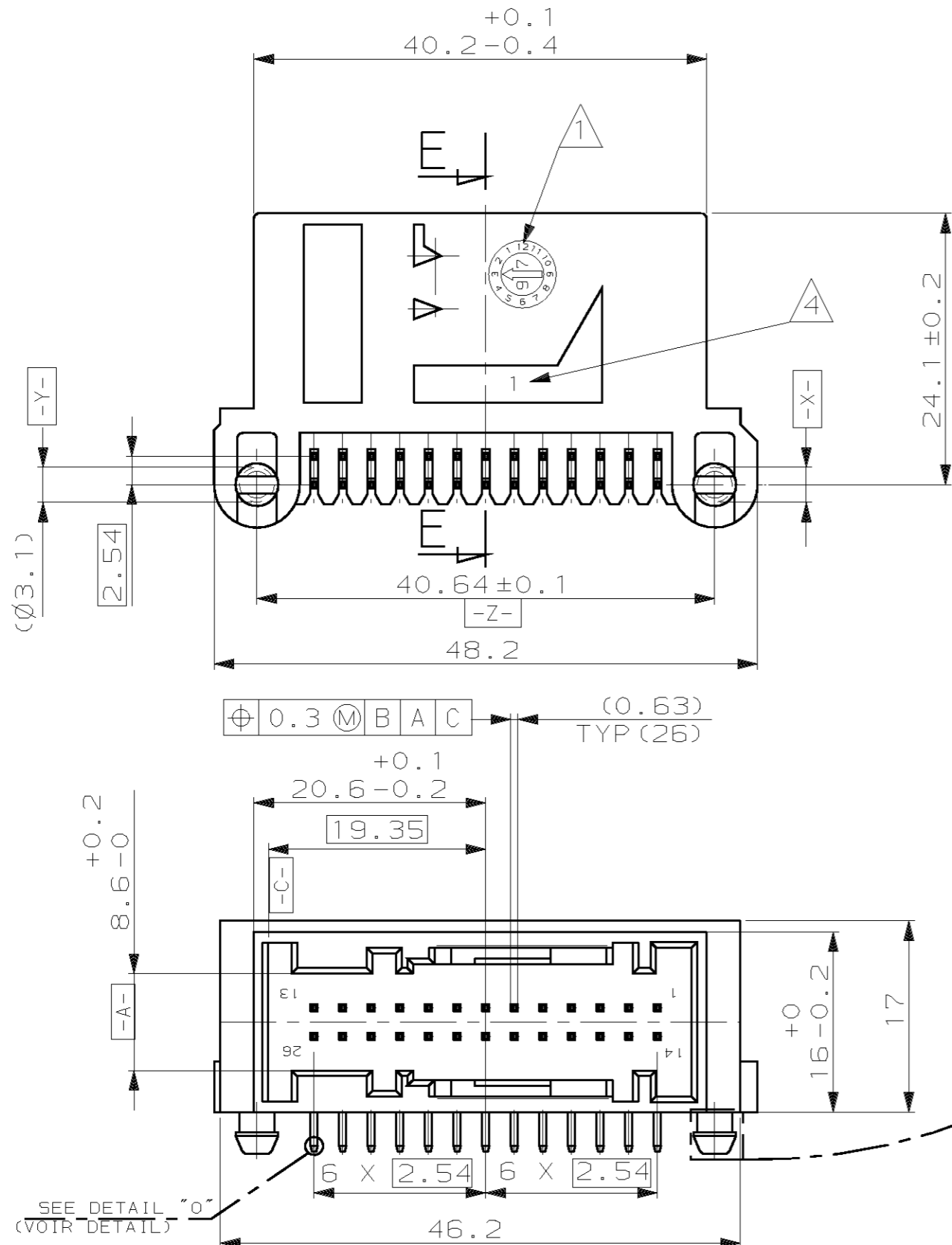


THIS DRAWING IS UNPUBLISHED. RELEASED FOR PUBLICATION .19  
 © COPYRIGHT 19 BY AMP INCORPORATED. ALL RIGHTS RESERVED.

# SECTIONEE (COUPE)

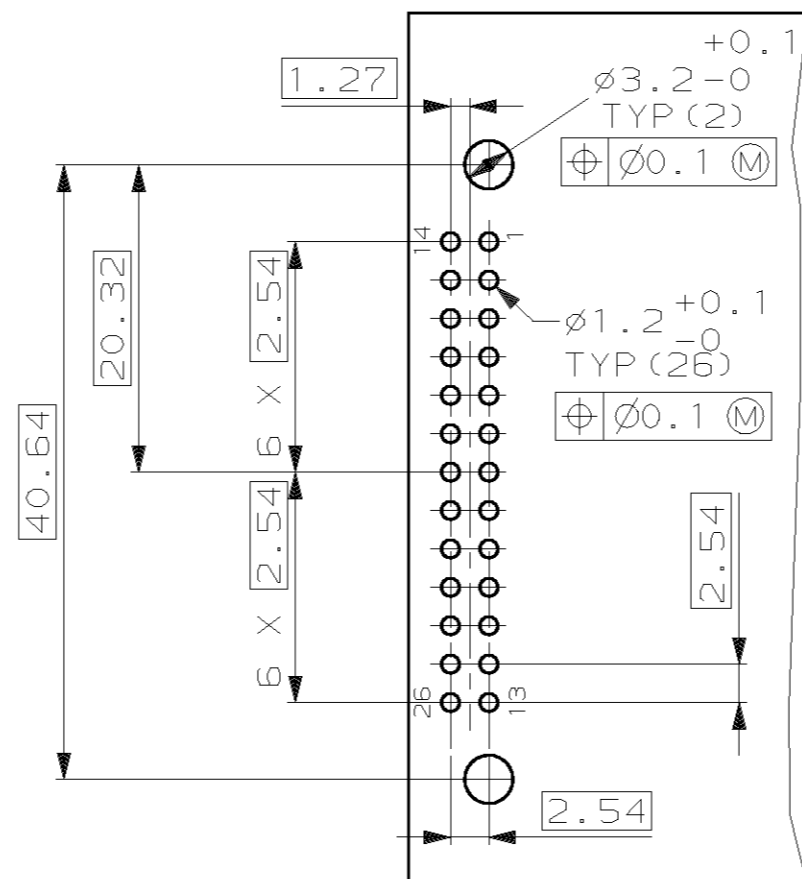
LOC	DIST	REVISIONS			
P	LTR	DESCRIPTION	DATE	DWN	APVD
F	7	WAS P9623590	21-OCT-96	NN	-
		O CONFIRMED PN:185904	16-DEC-96	NT.N	-
		A MISE A JOUR	14-APR-97	NT.N	-
		B MISE A JOUR	26-SEP-00	NT.N	S.K
		C NVLLE REFERENCE: 1-185904-2	04-APR-03	NT.N	J.L
		D ADD THE NEW PN : 185904-3	15-MAR-06	NT.N	J.L
		E ADD THE ENGLISH TRANSLATION	06-APR-06	NT.N	J.L



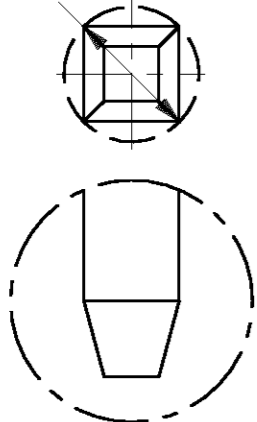
## NOTES:

- 1 DATE CODE (DATE CODE)
- 2 AMP LOGO (LOGO D'AMP)
- 3 ASSEMBLY PART NUMBER : 185904 (REFERENCE DU PRODUIT ASSEMBLE :)
- 4 CAVITY MARKING (N° D'EMPREINTE DU MOULE)
- 5 REVISION STATUS (REVISION DU MOULE)
- 6 MATERIAL REFERENCE : PBT 20GF (MATIERE)
- 7 ASSEMBLY DATE MARKING (MARQUAGE DE DATE D'ASSEMBLAGE)

## RECOMMENDED PCB LAYOUT (PRECONISATION DE L'IMPLANTATION DU CIRCUIT IMPRIME)



Ø 0.4 M  
 Ø 0.6 M G X-Y Z  
 Ø 0.89 MAX



DETAILO  
(SCALE : 20:1)  
(ECHELLE)

HOUSING MATERIAL (MATIERE BOITIER)	CONTACT MATERIAL (MATIERE CONTACT)	FINISH (FINITION)	
PBT GF20	BRONZE	TIN OVER NICKEL (ETAIN SUR NICKEL)	
	BLUE (bleu)	2.6	1-185904-2
		3.5	185904-2
	BLACK (Noir)	3.5	185904-3
	YELLOW (jaune)		185904-1
CODING (Detrompage)	COLOR (Couleur)	"H"	P/N ASS'Y (reference- assemble)

<small>THIS DRAWING IS A CONTROLLED DOCUMENT FOR AMP INCORPORATED. IT IS SUBJECT TO CHANGE AND THE CONTROLLING ENGINEERING ORGANIZATION SHOULD BE CONTACTED FOR THE LATEST REVISION.</small>		DWN Ngoc-Thanh NGUYEN 16-DEC-96 CHK J.LAQUERBE 17-APR-97 APVD JJ.REVIL 17-APR-97	<b>AMP</b> AMP DE FRANCE 95301 PONTOISE
DIMENSIONS: mm	TOLERANCES UNLESS OTHERWISE SPECIFIED:	PRODUCT SPEC 108-15140	26W M05 RIGHT ANGLE HEADER WITH BOARD-LOCKS (REVERSED INTERFACE VERSION) EMBASE COUDEE 26V M05 AVEC BOARD-LOCKS (VERSION INTERFACE INVERSEE)
MATERIAL	ANGLES ±5° FINISH	APPLICATION SPEC WEIGHT	SIZE A2 CAGE CODE 00779 DRAWING NO C=185904
CUSTOMER DRAWING		SCALE 2:1	SHEET 1 OF 1 REV E