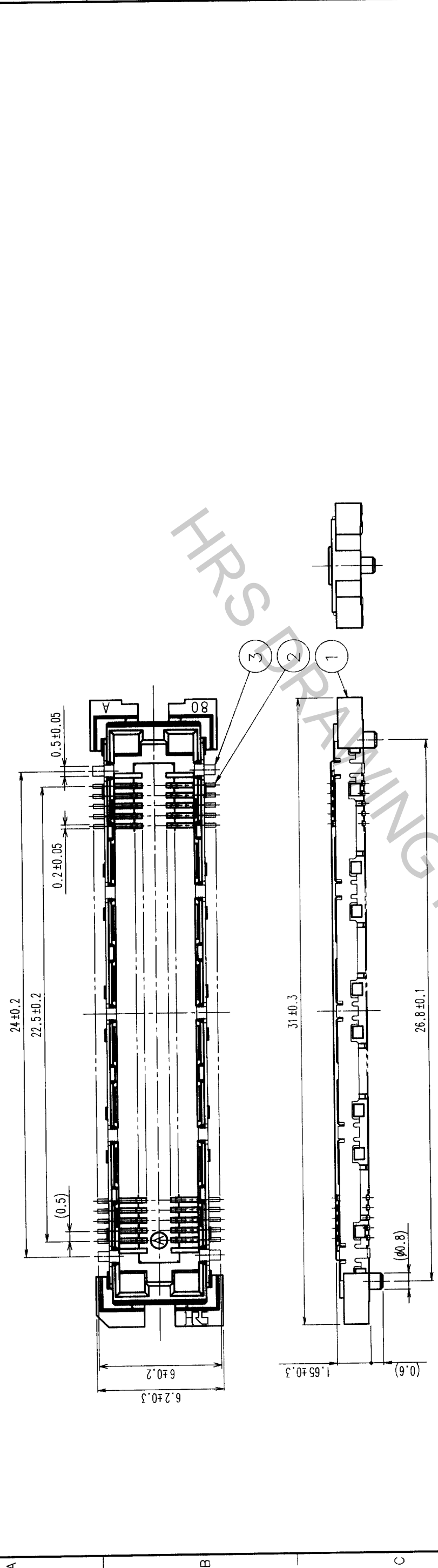


COUNT	DESCRIPTION OF REVISIONS	BY	CHKD	DATE
1				
2				
3				



RECOMMENDED LAND PATTERN DIMENSION OF PCB

- NOTES
- SMT LEAD-COPLANARITY: 0.1 MAX.
 - THIS PRODUCT HAS NO POLARITY TO PATTERN FOR MOUNTING.
 - MAKE SURE WIDTH OF PATTERN IS WITHIN THAT OF LAND .OR LEAD MAY TOUCH PATTERN. (THIS APPLIES TO HATCHED AREA.)

2	PHOSPHOR BRONZE	CONTACT AREA: GOLD (0.1μm) OVER NICKEL
1	LCP	LEAD: GOLD FLASH OVER NICKEL
NO.	MATERIAL	FINISH, REMARKS
3	PHOSPHOR BRONZE	TIN PLATED
CODE NO. (OLD)	CL	DRAWN
		DESIGNED
		CHECKED
		APPROVED
		RELEASED

DRAWING NO.	EDC3-152117	PART NO.	FX11LA-92S-SV
SCALE	5 : 1	CODE NO.	CL573-0143-9
UNITS	mm		