

STANDARD RECOVERY, MEDIUM CURRENT CENTER TAP AND DOUBLER RECTIFIER ASSEMBLIES

QUICK REFERENCE DATA

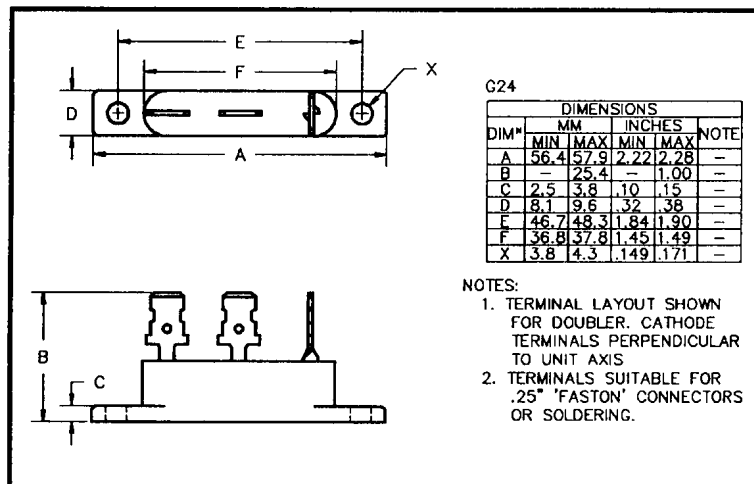
- Low forward voltage drop
- Low reverse leakage current
- Aluminum case
- Low thermal impedance
- Universal 3-way terminals

- $V_R = 50V - 600V$
- $I_F = 15A$
- $I_R = 1.0 \mu A$
- $V_F = 1.0V$

ABSOLUTE MAXIMUM RATINGS

Device Type	Working Reverse Voltage V_{RWM}	Average Rectified Current						1 Cycle Surge Current $t_p = 8.3mS$		Repetitive Surge Current
		(@ case temperature)			(@ ambient temperature)			25°C	100°C	25°C
		55°C	100°C	125°C	25°C	55°C	100°C			
		Volts	Amps	Amps	Amps	Amps	Amps	Amps	Amps	Amps
SCDA05	50	↑	↑	↑	↑	↑	↑	↑	↑	↑
SCDA1	100	↑	↑	↑	↑	↑	↑	↑	↑	↑
SCDA2	200	7.5	5.0	2.5	2.5	2.0	1.25	150	100	25
SCDA4	400	↓	↓	↓	↓	↓	↓	↓	↓	↓
SCDA6	600	↓	↓	↓	↓	↓	↓	↓	↓	↓
SCNA05 SCPA05	50	↑	↑	↑	↑	↑	↑	↑	↑	↑
SCNA1 SCPA1	100	↑	↑	↑	↑	↑	↑	↑	↑	↑
SCNA2 SCPA2	200	15.0	10.0	5.0	5.0	4.0	2.5	150	100	25
SCNA4 SCPA4	400	↓	↓	↓	↓	↓	↓	↓	↓	↓
SCNA6 SCPA6	600	↓	↓	↓	↓	↓	↓	↓	↓	↓

MECHANICAL



Maximum thermal impedance
 $R_{\theta JC} = 4^{\circ}C/W$

January 9, 1998

ELECTRICAL CHARACTERISTICS (ratings apply per leg)

Device Type	Reverse Current @ V_{RWM}		Maximum Forward Voltage $V_F @ 3.0A @ 25^\circ C$	Maximum Reverse Recovery Time ¹
	@ 25 °C	@ 100 °C		
	μA	μA	Volts	μS
SCDA05 SCDA1 SCDA2 SCDA4 SCDA6	1.0	20	1.0	2.0
SCNA05 SCPA05 SCNA1 SCPA1 SCNA2 SCPA2 SCNA4 SCPA4 SCNA6 SCPA6	1.0	20	1.0	

¹ Measured on discrete devices prior to assembly

Operating temperature range -55 °C to +150 °C
Storage temperature range -55 °C to +150 °C

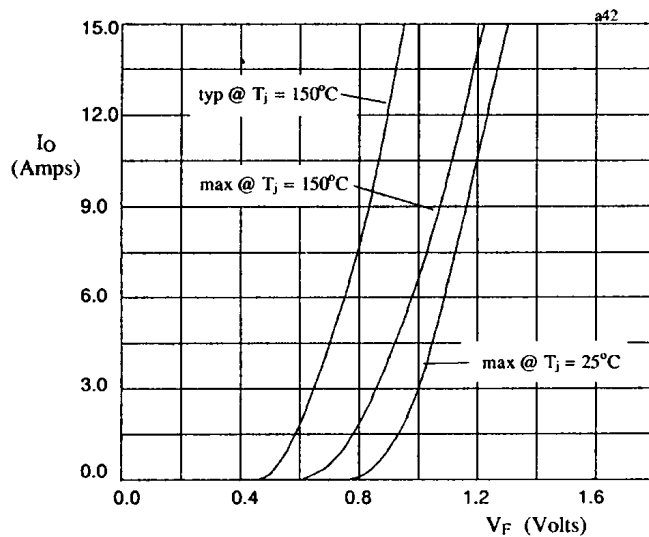


Fig 1. Forward voltage drop against current (per leg)

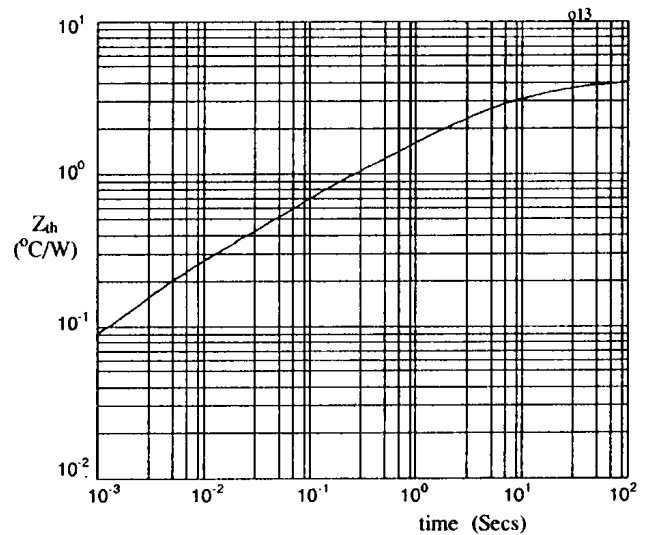


Fig 2. Transient thermal impedance characteristic per leg