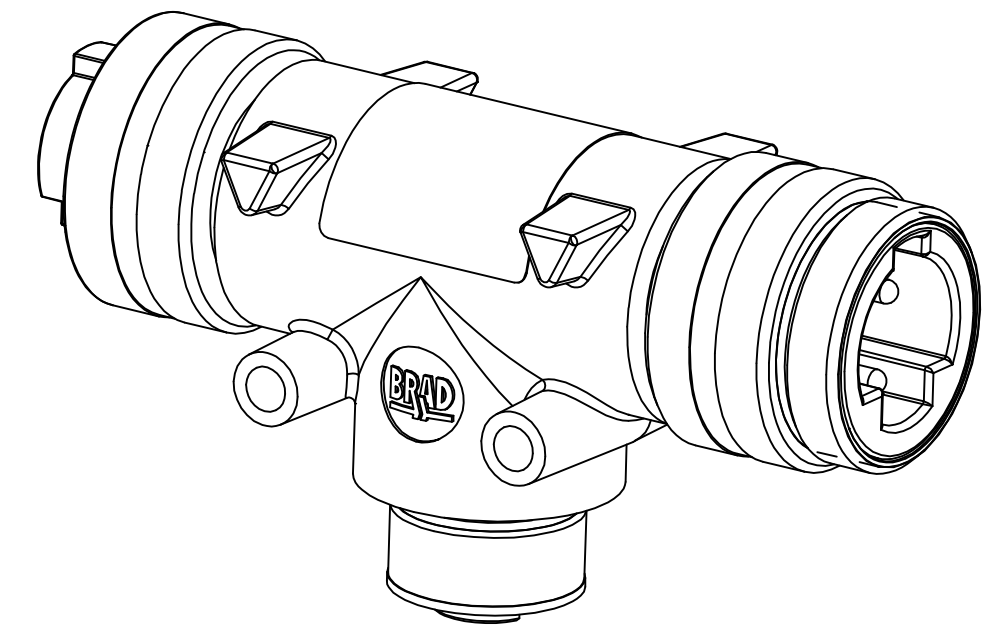
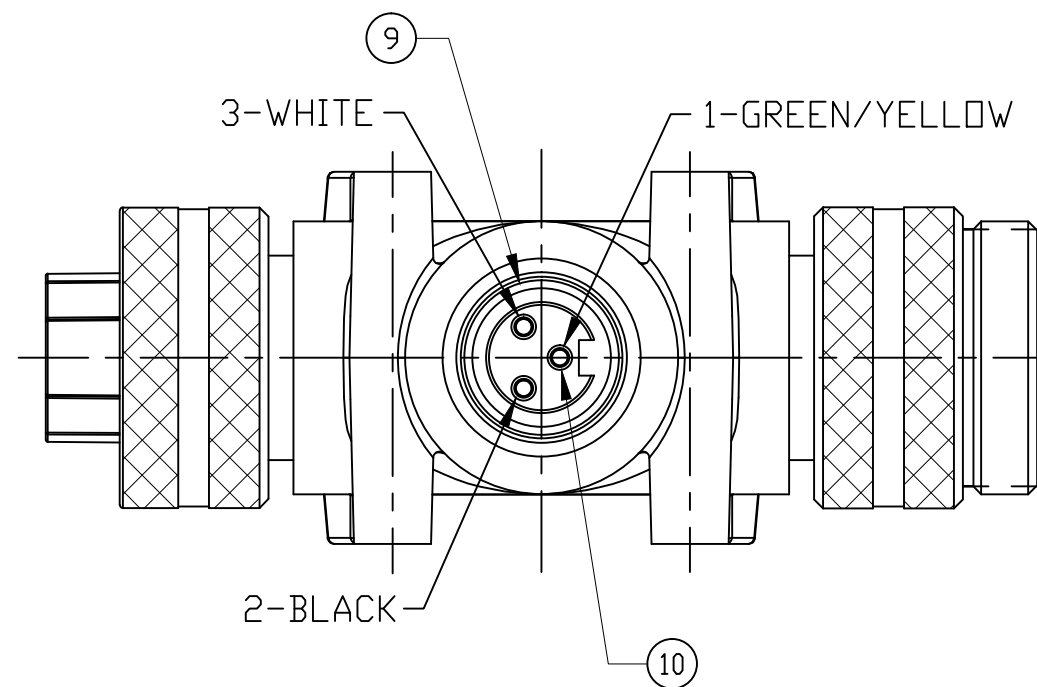
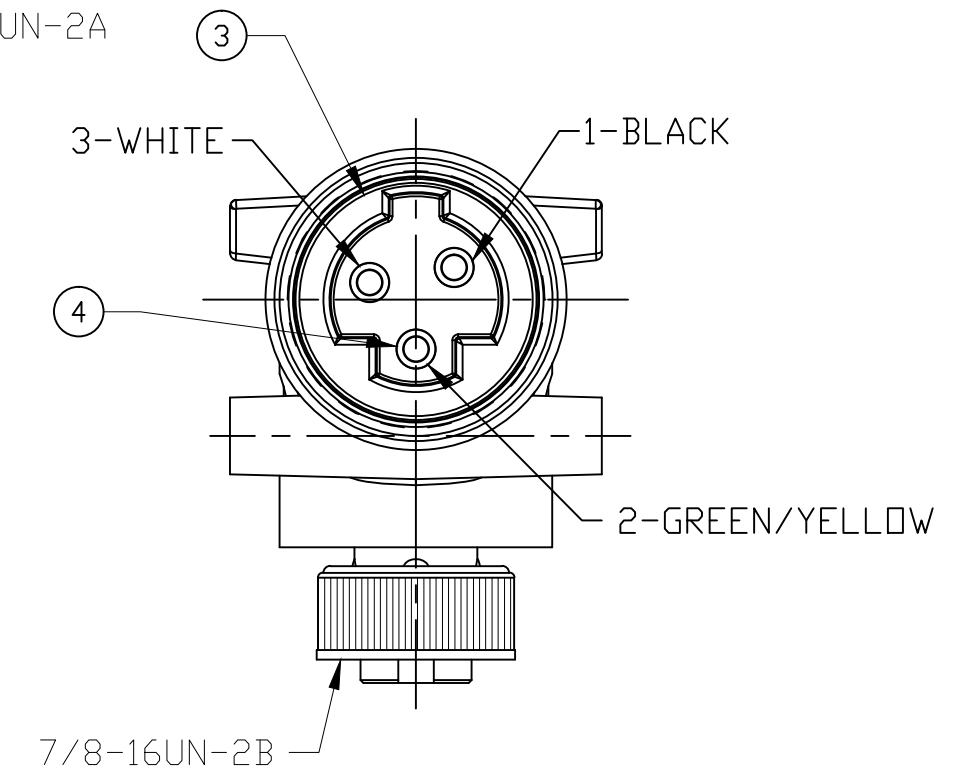
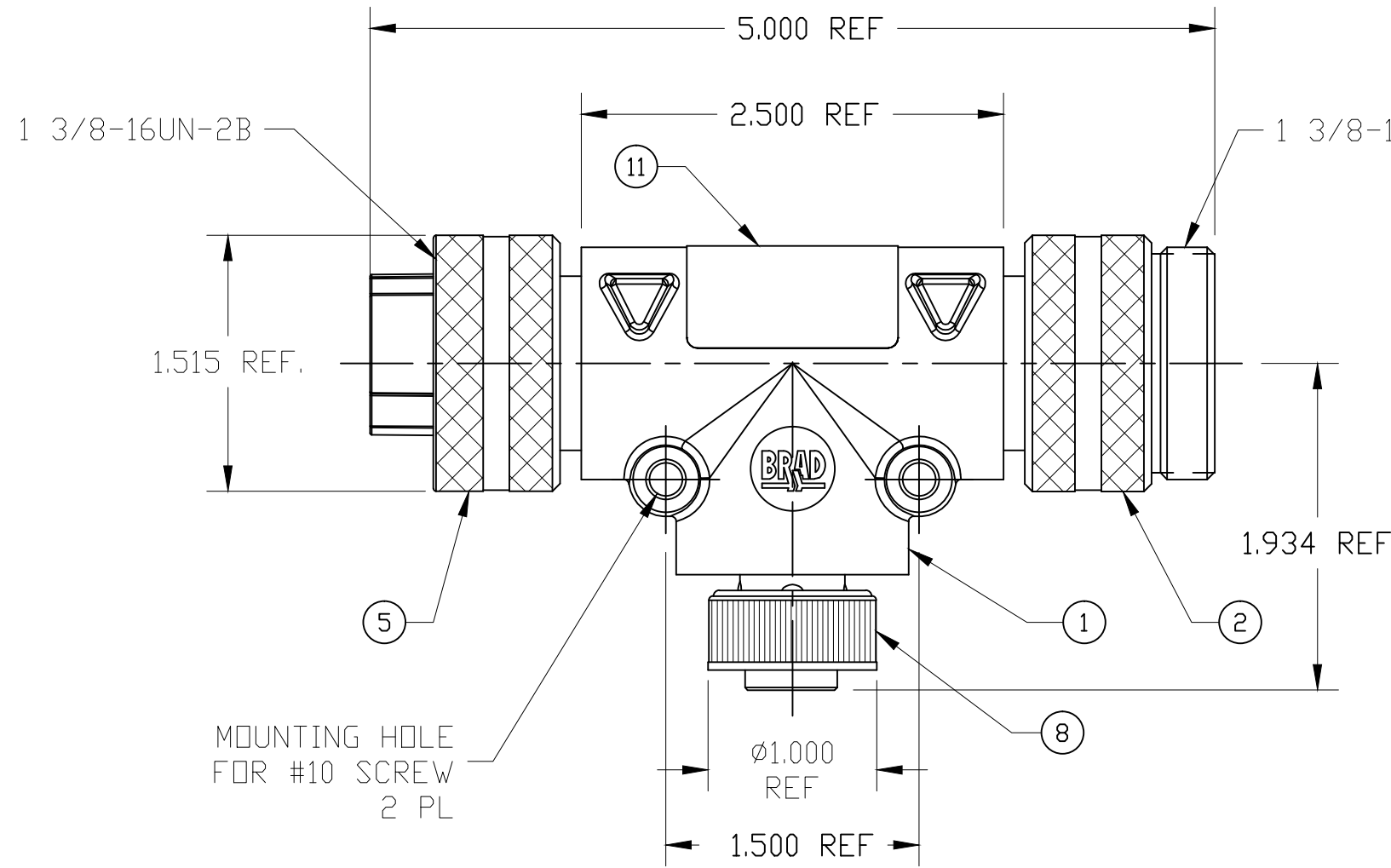
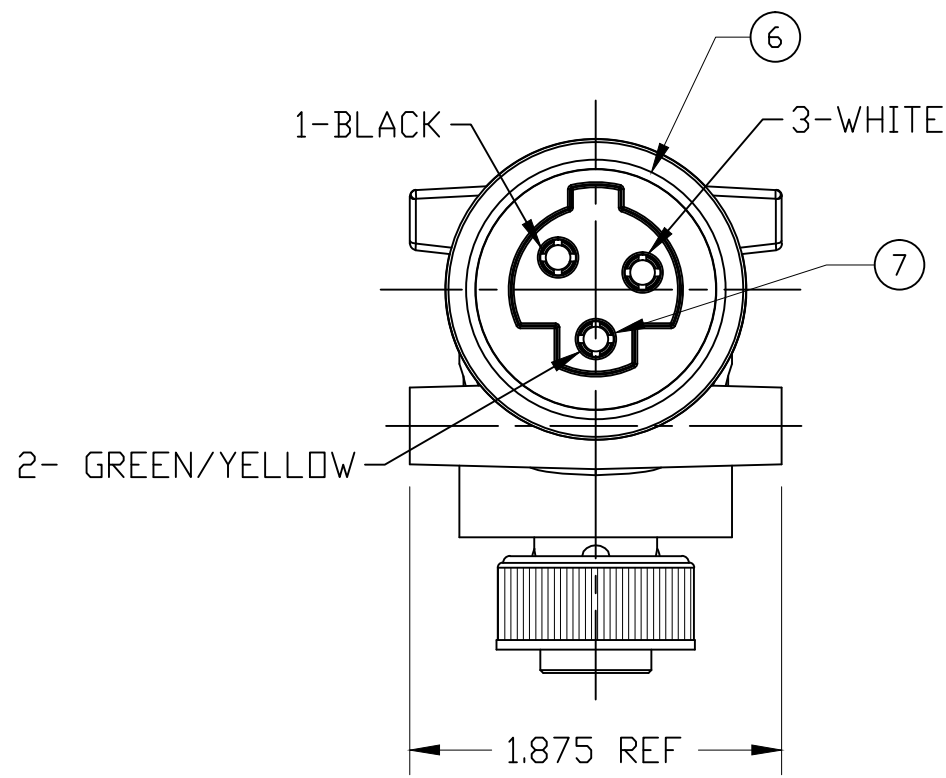
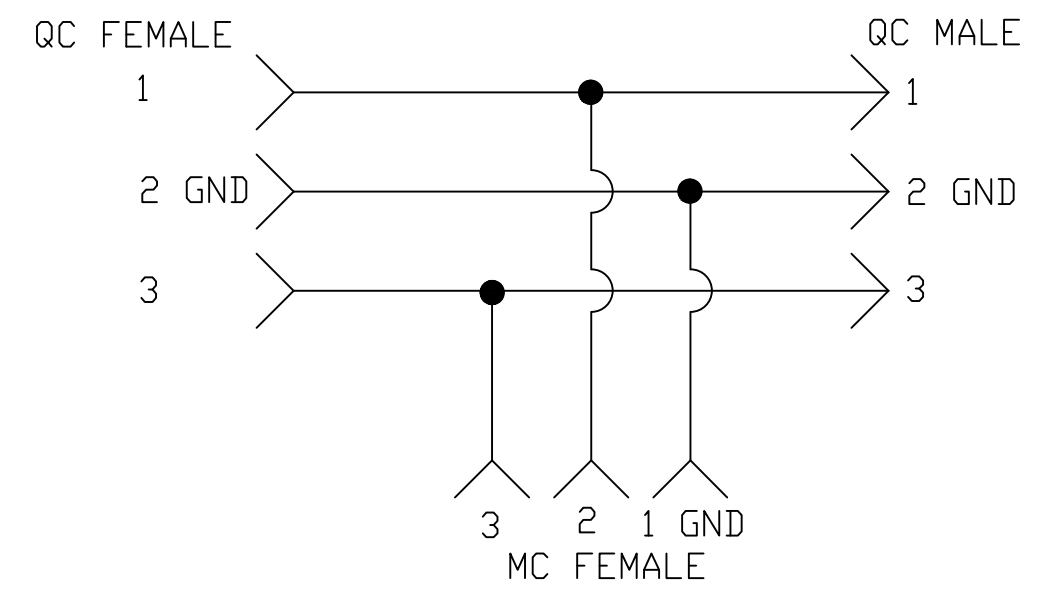


PART NUMBER	ENGINEERING NUMBER
1300680051	TC31130-200



NOTES:

1. MATERIAL: AS NOTED
2. FINISH: AS NOTED
3. ELECTRICAL:
VOLTAGE: 500V PER IEC60664
600V PER UL2237
- MAX THRU CURRENT: 32A
- MAX DROP CURRENT: 15A
4. TEMP RATING: -20° TO +90°C
5. PROTECTION: IP67 (WHEN MATED)
6. CERTIFICATION:
UL LISTED/CSA CERTIFIED FILE NO: E258922



WIRE DIAGRAM

11	LABEL	POLYESTER	BLACK/DRANGE
10	MC SOCKET CONTACT	COPPER ALLOY	GOLD PLATED
9	MC FEMALE INSERT	PVC	BLACK
8	MC COUPLING NUT	ZINC ALLOY	BLACK E-COAT
7	QC SOCKET CONTACT	COPPER ALLOY	GOLD PLATED
6	QC FEMALE INSERT	PVC	BLACK
5	QC FEMALE COUPLING NUT	ALUMINUM	BLACK ANODIZE
4	QC PIN CONTACT	COPPER ALLOY	GOLD PLATED
3	QC MALE INSERT	PVC	BLACK
2	QC MALE COUPLING NUT	ALUMINUM	BLACK ANODIZE
1	OVERMOLD	PVC	BLACK
ITEM	DESCRIPTION	MATERIAL	FINISH

REV'D NOTE 3, COLORS EC NO: IPG2017-0829 DRWN: RSTONE 3/2/17 CH'KD: K COX 2017/03/10 APPR: BWOODMAN 2010/01/15	QUALITY SYMBOL ▽=0 ▽=0	GENERAL TOLERANCES (UNLESS SPECIFIED)		DIMENSION STYLE INCH		SCALE 1:1	DESIGN UNITS INCH	THIRD ANGLE PROJECTION			
		4 PLACES ±--- ±---	3 PLACES ±--- ±---	2 PLACES ±--- ±---	1 PLACE ±--- ±---	DRAWN BY KJOZWIK	DATE 2010/01/13	TITLE BRAD POWER QC 3 POLE TEE W/3 POLE MC DROP			
		ANGULAR ±---°				APPROVED BY JFMURPHY		DATE 2010/01/15	MOLEX INCORPORATED		
		DRAFT WHERE APPLICABLE MUST REMAIN WITHIN DIMENSIONS				MATERIAL NO. SEE TABLE		DOCUMENT NO. SD-130068-007		SHEET NO. 1 OF 1	
THIS DRAWING CONTAINS INFORMATION THAT IS PROPRIETARY TO MOLEX INCORPORATED AND SHOULD NOT BE USED WITHOUT WRITTEN PERMISSION											