

1. 製品名称 / PRODUCT NAME : 1.25 WTB SINGLE S/T SMT EMBOSSED TAPE PACKAGING

製品番号 / PART NUMBER : 505568**7☆
505568**8☆

(**は極数を示し、☆は色を示す。図面参照。)

(** IS CIRCUITS SIZE. ☆ IS COLOR. REFER TO DRAWING.)

2. 標準梱包数 / STANDARD PACKAGING QUANTITY

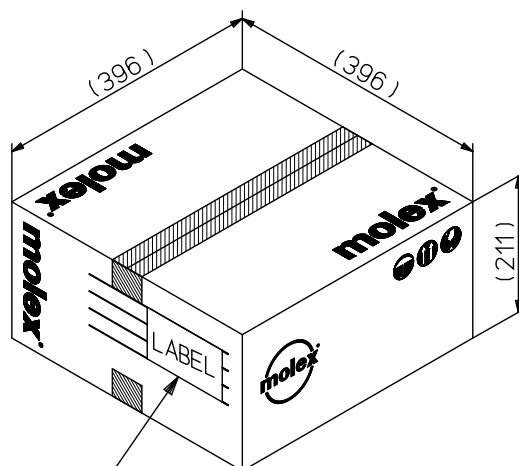
極数 CKT. SIZE	キャリア テープ幅 (mm) CARRIER TAPE WIDTH (mm)	1 リール中の製品数 QTY. PER REEL	外装カートン SHIPPING CARTON	
			梱包リール数 NUMBER OF REELS	製品数 QUANTITY
2	16	1,200	8	9,600
3				
4				
5	24	1,200	6	7,200
6				
7				
8				
9				
10	32	1,200	4	4,800
11				
12				
13				
14	44	1,200	3	3,600
15				
16				

REV.	B				
SHEET	1~2				
REVISE ON PC ONLY		TITLE:			
B	REVISED 108637 2016/09/21 T.NAKAGAWA	505568 梱包仕様書 SALES PACKAGING SPEC. FOR 505568			
	THIS DOCUMENT CONTAINS INFORMATION THAT IS PROPRIETARY TO MOLEX ELECTRONIC TECHNOLOGIES, LLC AND SHOULD NOT BE USED WITHOUT WRITTEN PERMISSION				
REV.	DESCRIPTION				
DESIGN CONTROL J		STATUS	WRITTEN BY: T.NAKAGAWA01	CHECKED BY: T.HARUYAMA	APPROVED BY: Y.ITO
				DATE: 2016/03/02	

DOCUMENT NUMBER 5055689200	DOC. TYPE PS	DOC. PART 200	CUSTOMER GENERAL	SHEET 1 OF 2
-------------------------------	-----------------	------------------	---------------------	-----------------

3. カートン外形参考寸法 / CARTON OUTER DIMENSIONS (REFERENCE PURPOSE ONLY)

単位 / UNIT: mm



カートンラベル
CARTON LABEL

(製品型番, 数量, ロットNO. 表示)
INDICATION OF PART No., QUANTITY, LOT No.

標準カートン
STANDARD CARTON

REVISE ON PC ONLY		TITLE:		
B	SEE SHEET 1 OF 2	5 0 5 5 6 8 梱包仕様書 SALES PACKAGING SPEC. FOR 505568		
REV.	DESCRIPTION	THIS DOCUMENT CONTAINS INFORMATION THAT IS PROPRIETARY TO MOLEX ELECTRONIC TECHNOLOGIES, LLC AND SHOULD NOT BE USED WITHOUT WRITTEN PERMISSION		
DOCUMENT NUMBER 5055689200		DOC. TYPE PS	DOC. PART 200	CUSTOMER GENERAL
				SHEET 2 OF 2