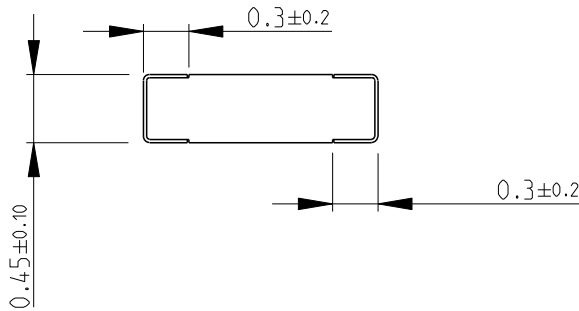
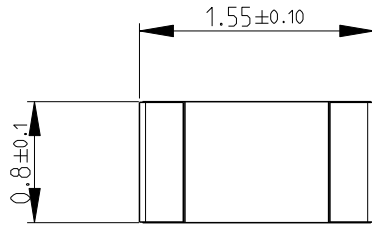
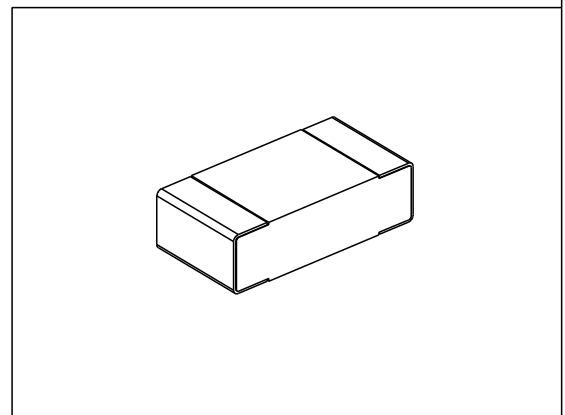


LOC	DIST	REVISIONS					
E	B	P	LTR	DESCRIPTION	DATE	DWN	APVD
		BA		NEW RELEASE	09AUG2011	PSK	JC

FOR FURTHER INFORMATION SEE DATA SHEET FOR RP73 SERIES-SMD HIGH POWER PRECISION RESISTORS



RoHS Compliant



2008

RELEASED FOR PUBLICATION

ALL RIGHTS RESERVED.

THIS DRAWING IS UNPUBLISHED.

© COPYRIGHT 2008

DIMENSIONS:		DWN	09AUG2011	MATERIAL	-	FINISH	-
mm		PRASAD K					
TOLERANCES UNLESS OTHERWISE SPECIFIED:		CHK	10AUG2011	TE Connectivity			
0 PLC ±0.2		A. PILE					
1 PLC ±0.1		APVD	10AUG2011	NAME SMD HIGH POWER PRECISION RESISTORS SERIES RP73 - 1J			
2 PLC ±		J. CATCHPOLE					
3 PLC ±		PRODUCT SPEC	-	SIZE	CAGE CODE	DRAWING NO	RESTRICTED TO
4 PLC ±		APPLICATION SPEC	-	A 4	00779	C-1879808	-
ANGLES ±5°		WEIGHT	-	SCALE 20:1 SHEET 1 OF 1 REV BA			
		CUSTOMER DRAWING					