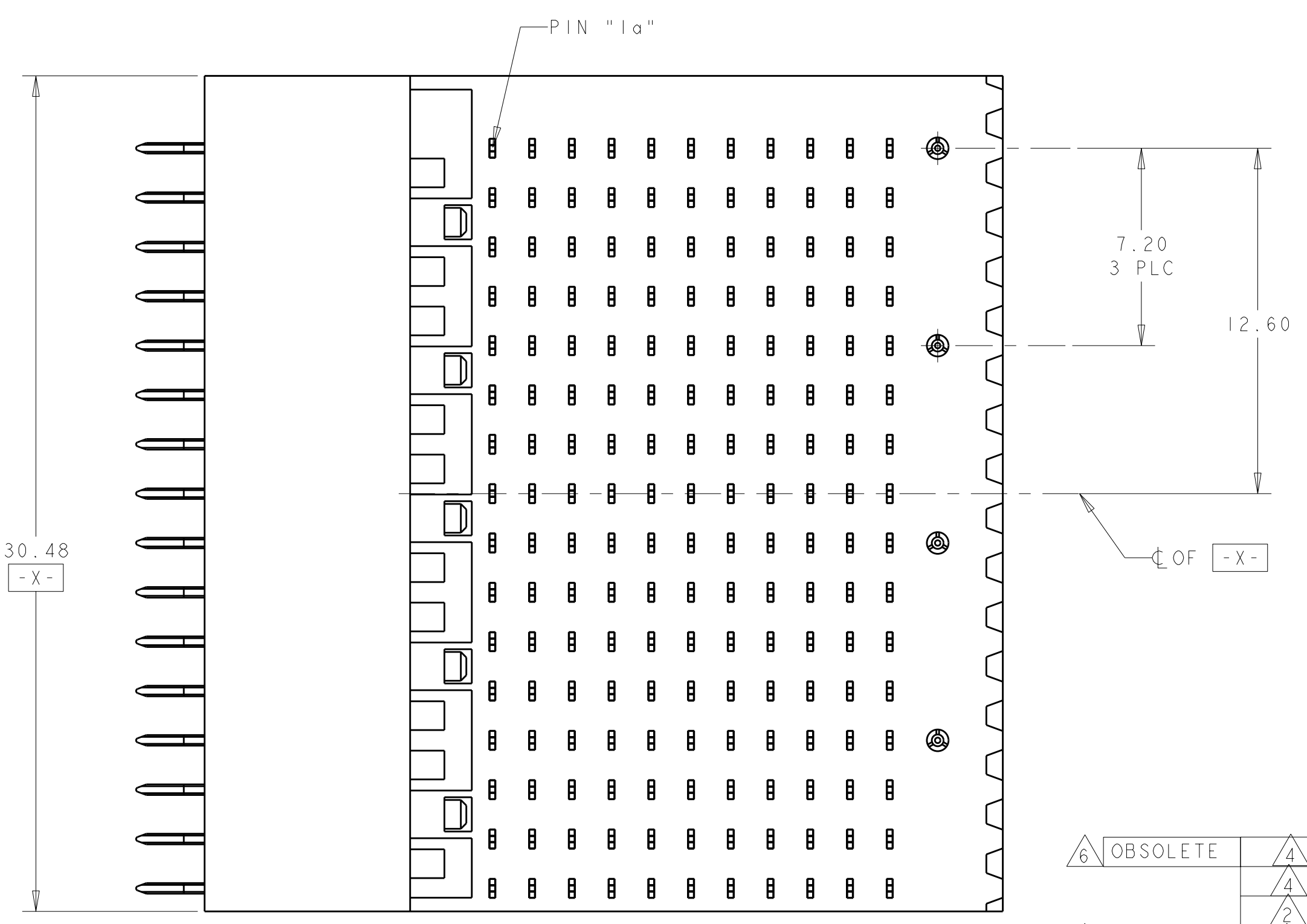
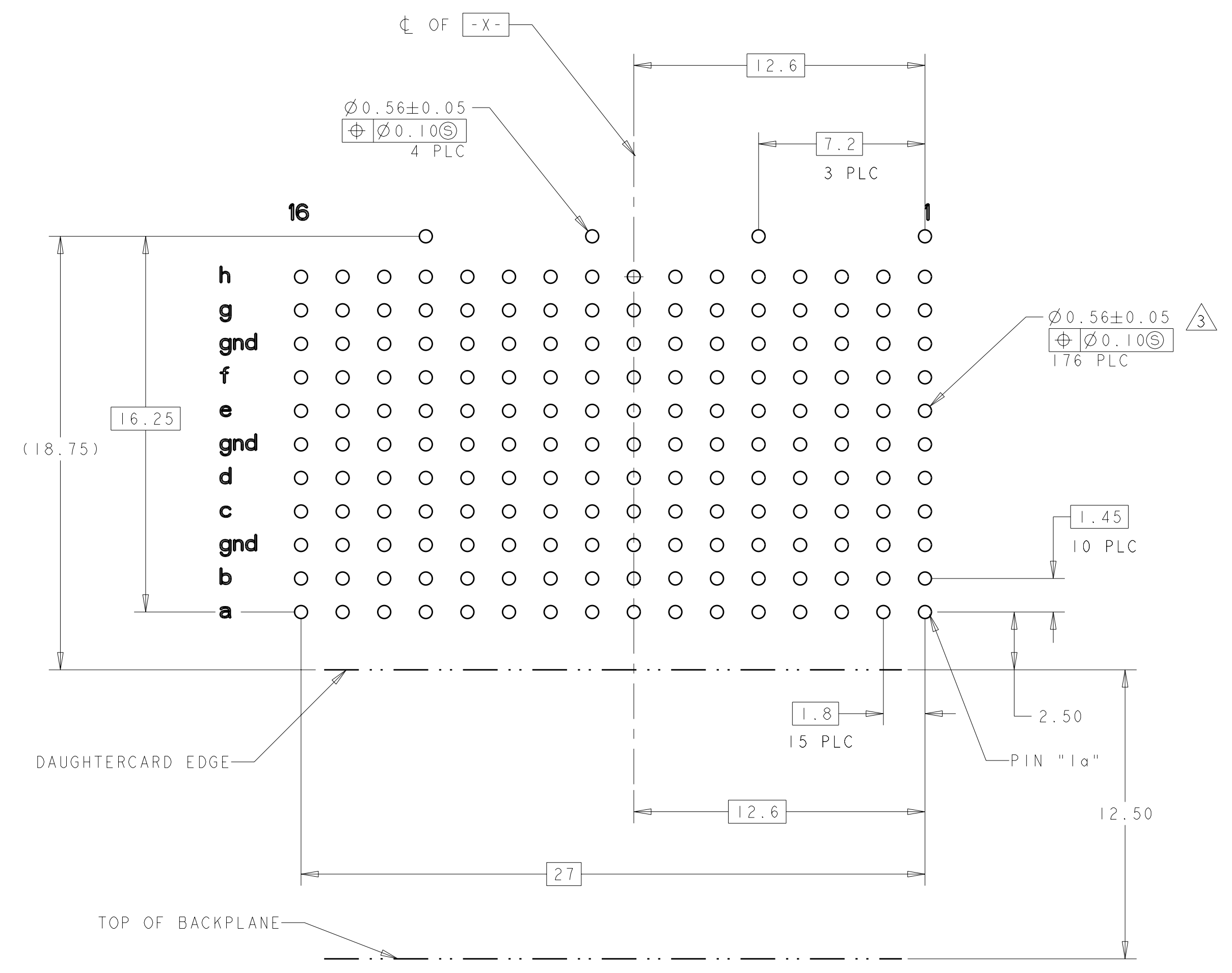
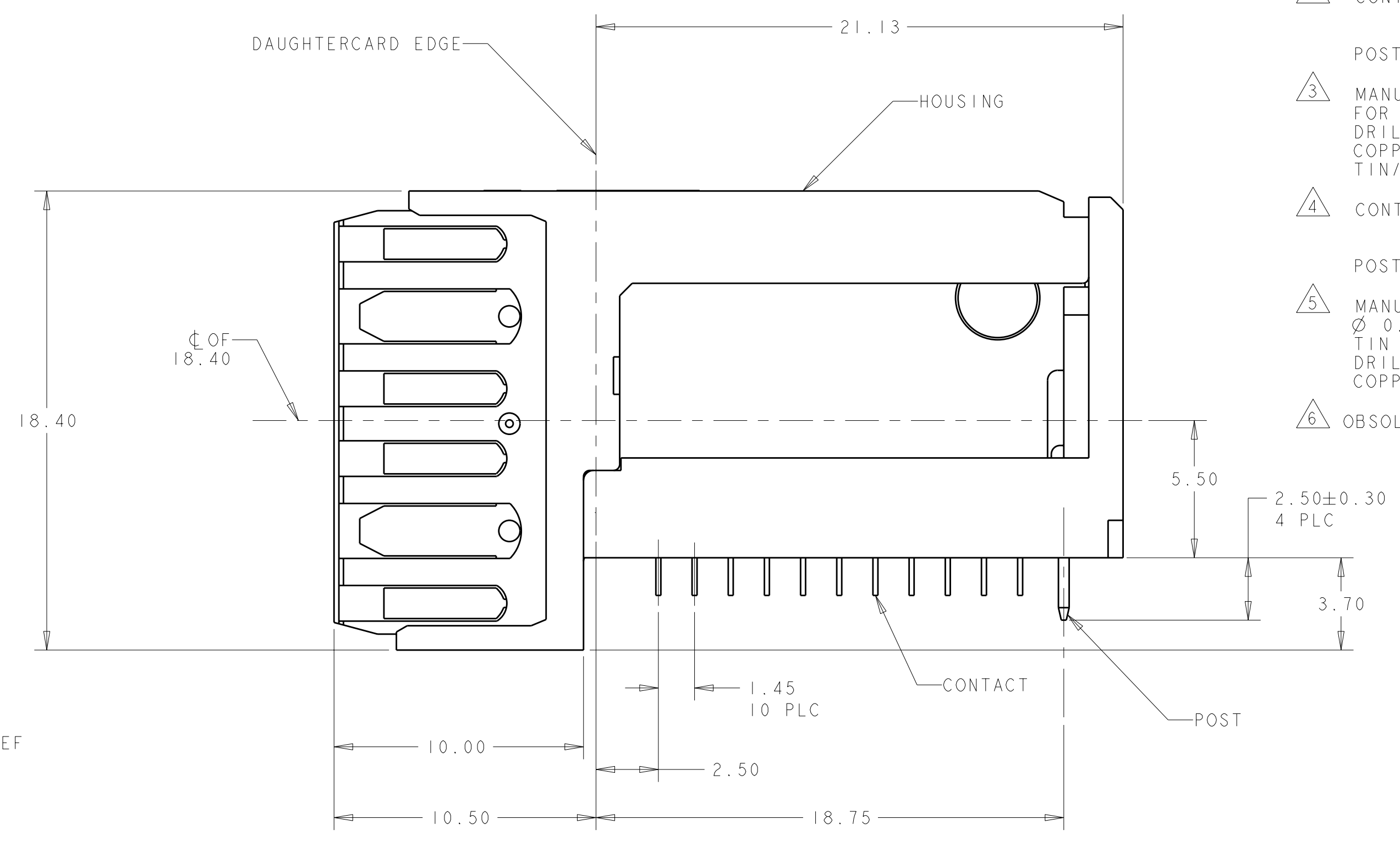
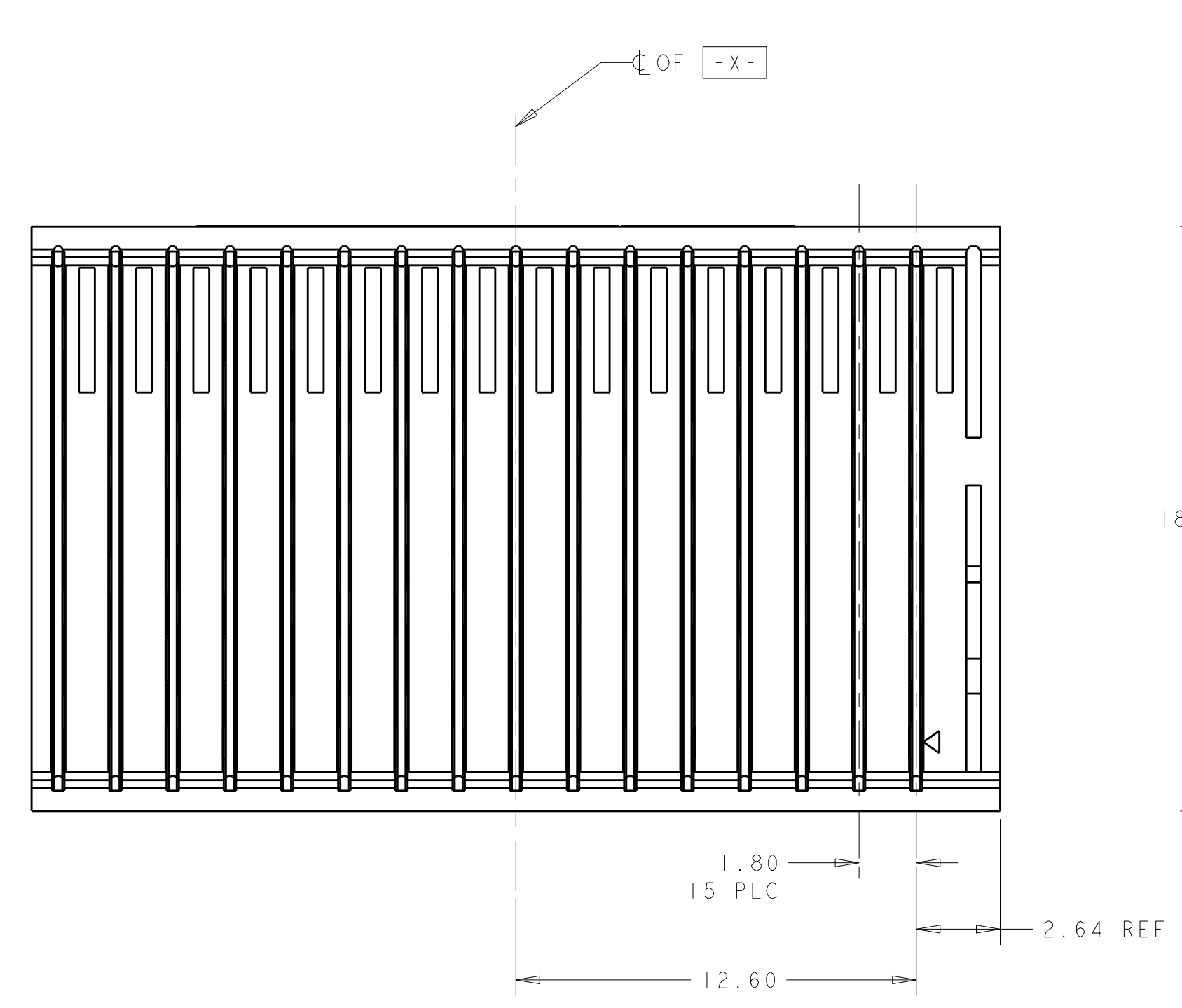


LOC	DIST	REV	DATE	BY	APPD
AD	00	A	29 JUL 2004	BW	GG
		A1	23 NOV 2009	WK	AEG

- 1 HOUSING: LCP, UL94V-0, BLACK.
CONTACT: PHOSPHOR BRONZE.
POST: BRASS WIRE.
- 2 CONTACT: 0.76 μm GOLD PER ASTM B 488 IN CONTACT AREA,
1.27 μm MIN TIN-LEAD ON PCB TAIL,
OVER 1.27 μm MIN NICKEL PER SAE AMS-QQ-N-290 OVER ALL.
POST: 1.27 μm MIN NICKEL.
- 3 MANUFACTURING TOLERANCE
FOR A Ø0.56±0.05 FINISHED HOLE.
DRILLED HOLE: Ø0.65±0.02
COPPER PLATE: 0.050-0.025
TIN/LEAD PLATE: 0.0124-0.0038
- 4 CONTACT: 0.76 μm GOLD PER ASTM B 488 IN CONTACT AREA,
1.27 μm MIN MATTE TIN PER ASTM B 545 ON PCB TAIL,
OVER 1.27 μm MIN NICKEL PER SAE AMS-QQ-N-290 OVER ALL.
POST: 1.27 μm MIN NICKEL.
- 5 MANUFACTURING TOLERANCE FOR A
Ø 0.575 ±0.045 FINISHED HOLE WITHOUT
TIN LEAD PLATING:
DRILLED HOLE: Ø0.65 ±0.02
COPPER PLATING: 0.025 - 0.050
- 6 OBSOLETE PARTS: OBSOLETE CIS STREAMLINING PER D.RENAUD/D.SINISI



PC BOARD LAYOUT
CONNECTOR SIDE
SCALE 6:1

REV	DESCRIPTION	PART NO
4	DIFFERENTIAL, NONSEQUENTIAL	1410206-4
5	SINGLE END, NONSEQUENTIAL	1410206-3
2	DIFFERENTIAL, NONSEQUENTIAL	1410206-2
3	SINGLE END, NONSEQUENTIAL	1410206-1

DIMENSIONS: mm 	TOLERANCES UNLESS OTHERWISE SPECIFIED: 9 PLC ± 7 PLC ±0.13 5 PLC ±0.013 4 PLC ± ANGLES ±1° FINISH	DWN R. TREA 20FEB2003 CHK D. DEBRAUGH 20FEB2003 APVD D. DEBRAUGH 20FEB2003 NAME PRODUCT SPEC 108-2072 APPLICATION SPEC 114-13056 WEIGHT CUSTOMER DRAWING	Tyco Electronics Corporation Harrisburg, PA 17105-3608 RIGHT ANGLE PLUG ASSEMBLY, LEFT END, FULL, 20.3mm, MultiGig RT 1, DAUGHTERCARD CONNECTOR SIZE CAGE CODE DRAWING NO A1 00779 C=1410206 SCALE 8:1 SHEET 1 OF 1 REV A1
-----------------------	---	---	---