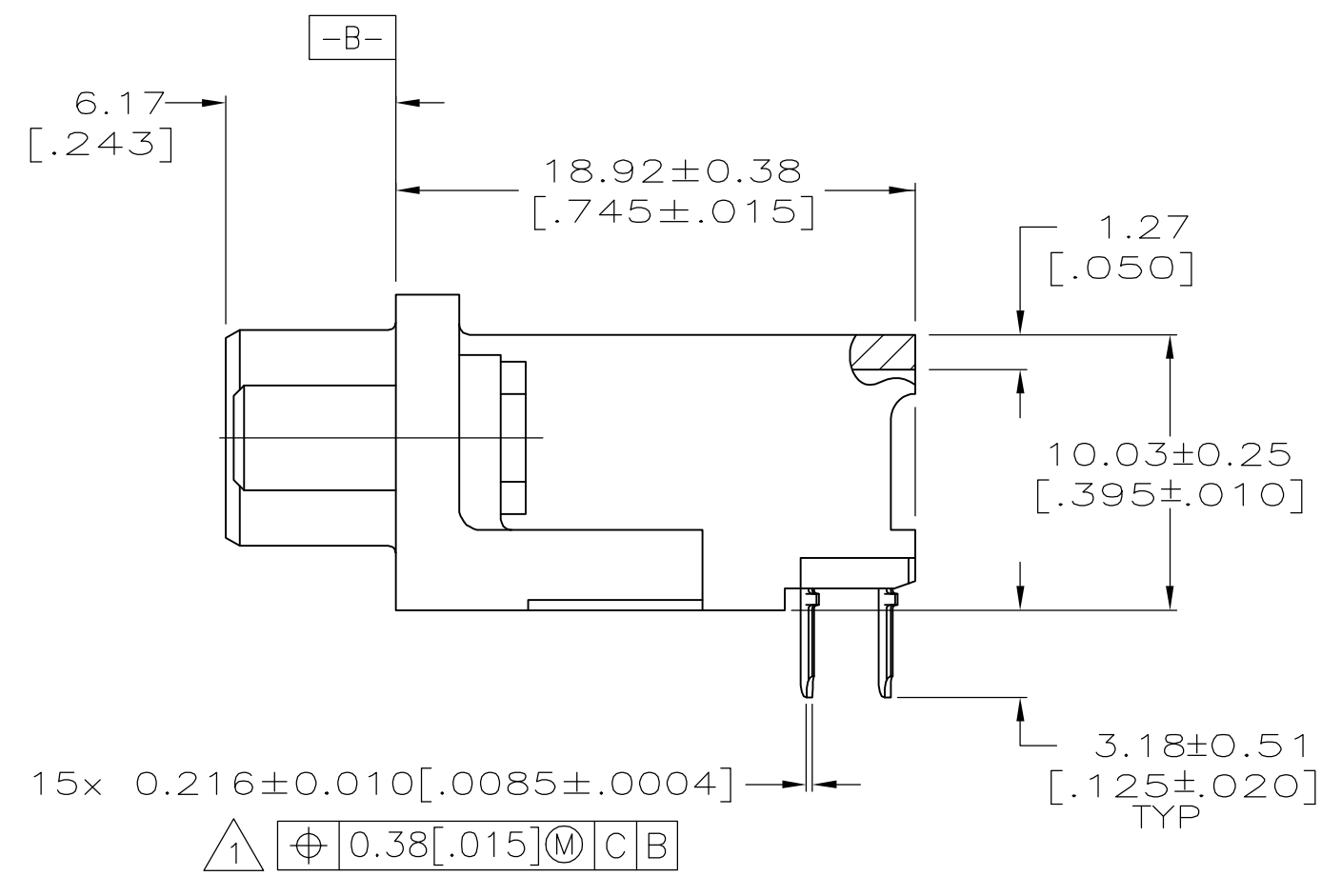
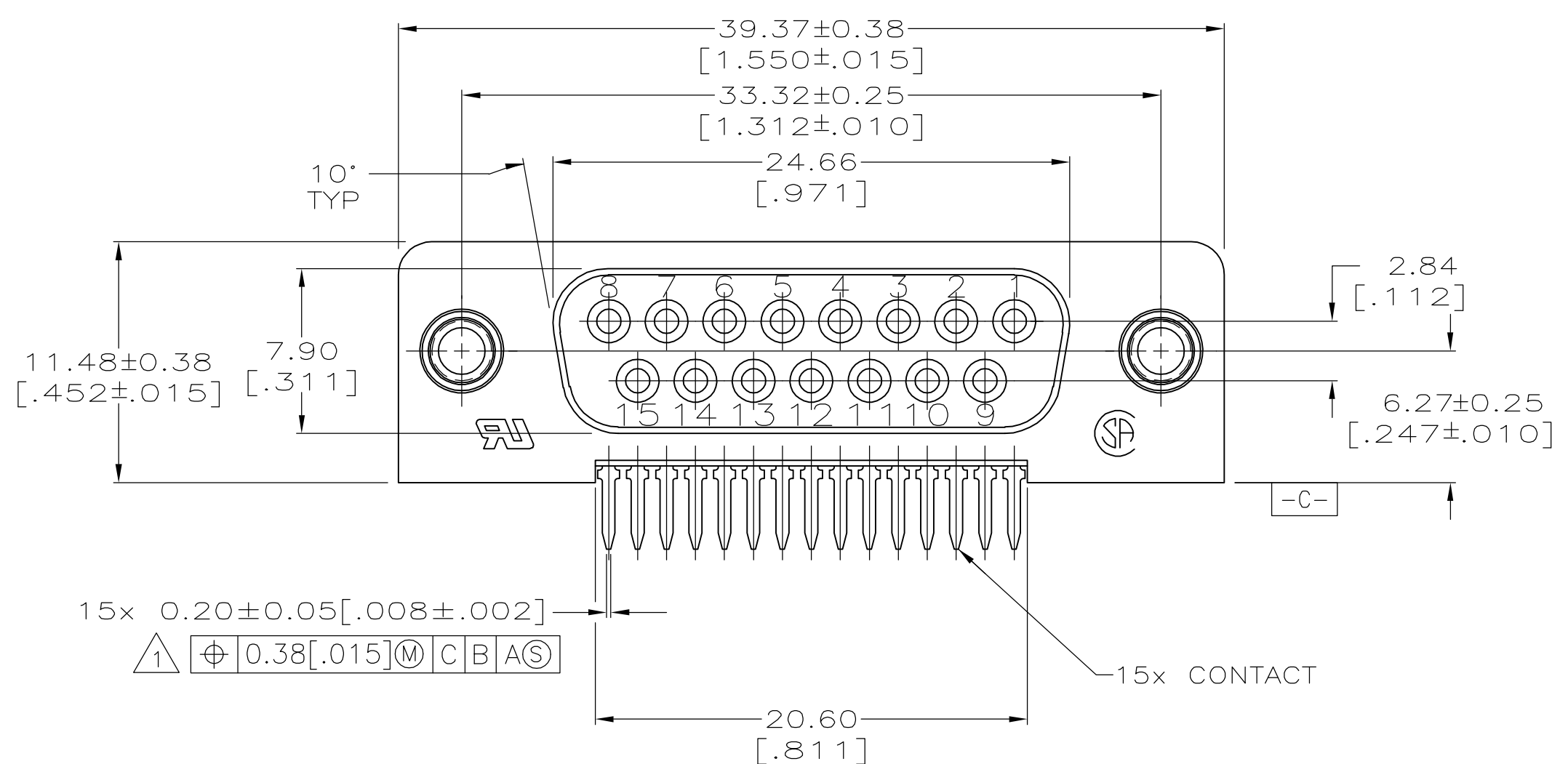
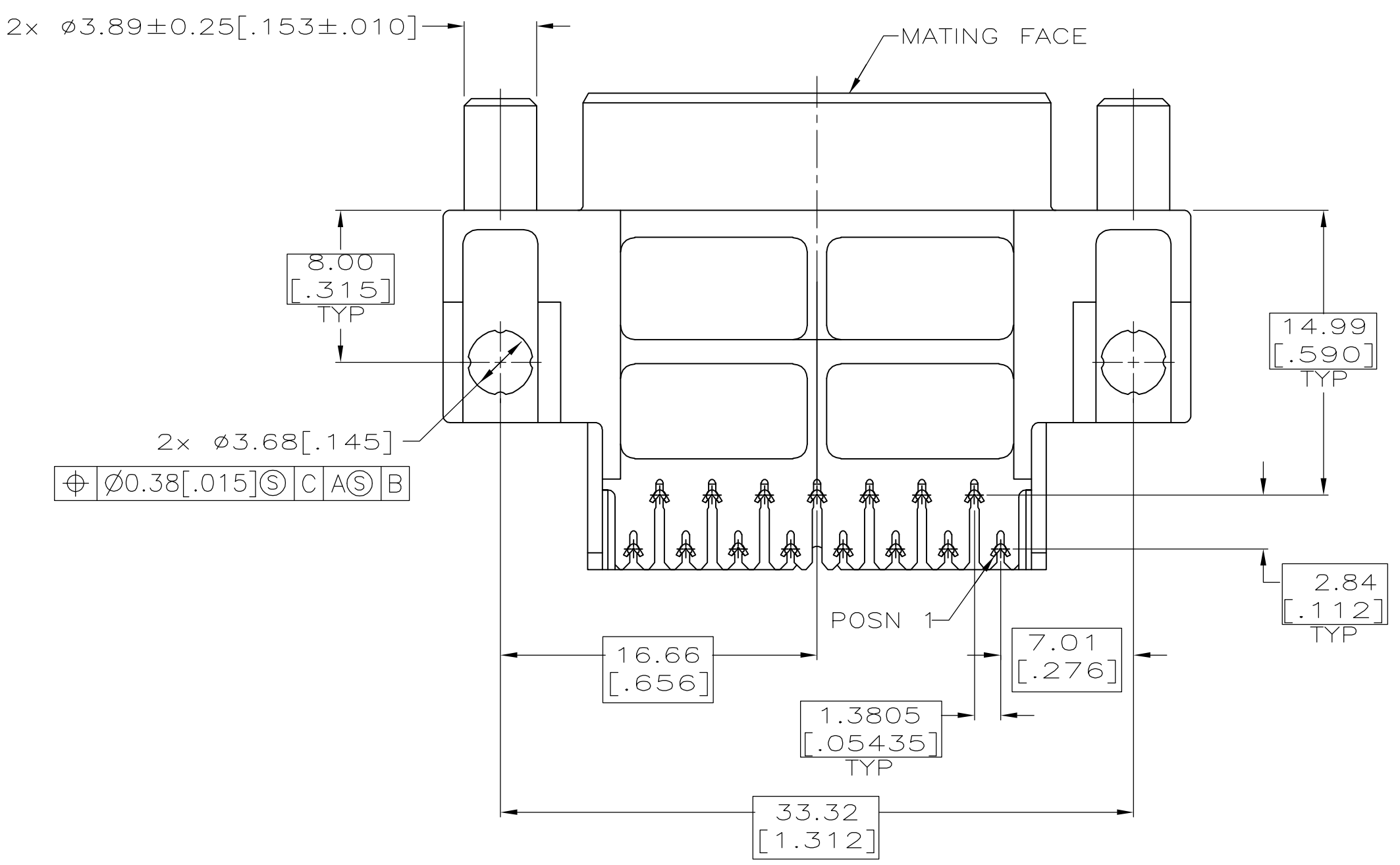


PC BOARD MOUNTING DIMENSIONS

TYCO, PART NO & DATE CODE, MARKED IN AREA INDICATED



- △ POSITION TOLERANCE APPLIES AT TIP ONLY.
- △ HOUSING: FLAME RETARDANT UL94V-0 RATED, GLASS FILLED NYLON OR POLYESTER, COLOR BLACK. CONTACTS: PHOSPHOR BRONZE. SCREWLOCKS: ZINC
- △ CONTACTS: 0.76 μm [0.000030] MIN GOLD FOR A LENGTH OF 1.52 [0.060] MIN FROM MATING END, 2.54 μm [0.0001] MIN TIN FOR A LENGTH OF 3.68 [0.145] MIN FROM OPPOSITE END, BOTH OVER 1.27 μm [0.000050] MIN NICKEL. SCREWLOCKS: CLEAR CHROMATE COATING.



**COPYRIGHT 2005
 TYCO ELECTRONICS CORP
 ALL RIGHTS RESERVED**

THIS DRAWING IS A CONTROLLED DOCUMENT.		DWN G.PETERS 21SEP05		Tyco Electronics Corporation Harrisburg, PA 17105-3608	
DIMENSIONS: mm [INCHES]		CHK S.BOLASH 21SEP05		NAME	RECEPTACLE ASSEMBLY, SIZE 2, 15 POSN, ALL PLASTIC, RIGHT ANGLE, .590 SERIES, AMPLIMITE III
TOLERANCES UNLESS OTHERWISE SPECIFIED:		APVD M.WALMSLEY 21SEP05	PRODUCT SPEC	108-1226	
0 PLC ± -		APPLICATION SPEC	SIZE	A1	
1 PLC ± -		WEIGHT	CAGE CODE	00779	
2 PLC ± 0.13 [0.005]		CUSTOMER DRAWING	DRAWING NO	C=5748948	
3 PLC ± -		SCALE	4:1		
4 PLC ± -		SHEET	1 OF 1		
ANGLES ± z		REV	0		

5748948-1
PART NO